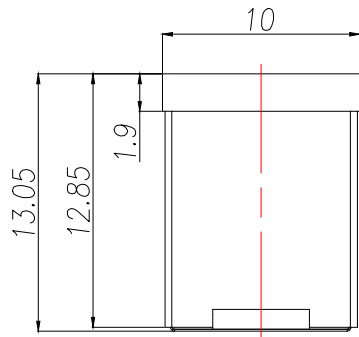
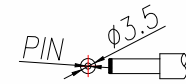
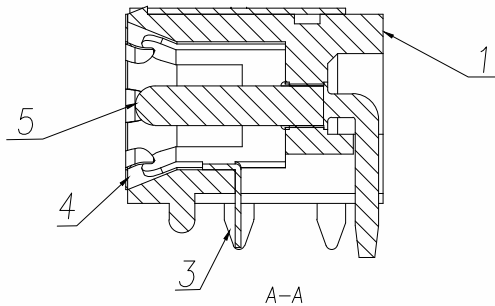


A		B		C		D		E	
REV.	DESCRIPTION				ECN NO.	NAME	DATE		

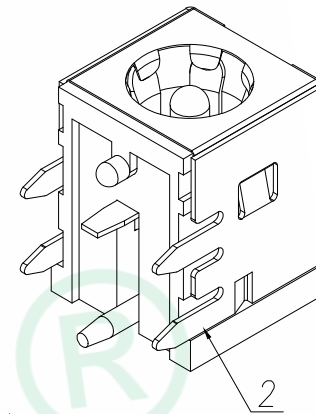
1



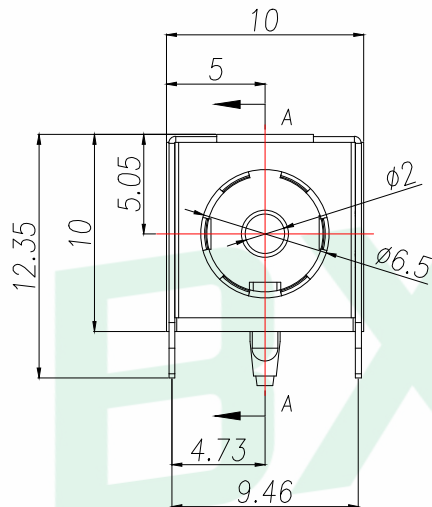
2



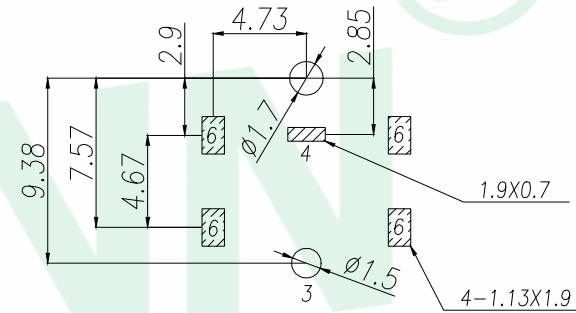
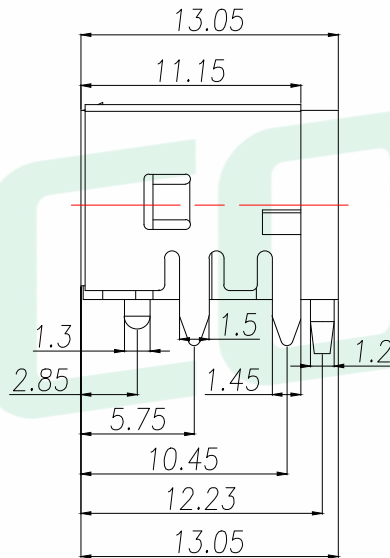
RECOMMEND PULG



3



4

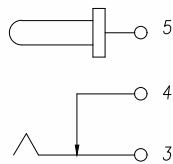


PCB.WELDING DRAWING (TOLERANCE:±0.05)

5	圆针	1	黄铜棒	镀银
4	盖片	1	H62黄铜带(Y)	镀银
3	簧片	1	磷铜带	铜锡
2	屏蔽罩	1	H62黄铜带(Y)	黑
1	底座	1	PPA	黑
序号	名称	数量	材料	备注

Main technical performance

Rated electrical load	DC 24V 8A
Contact resistance	$\leq 0.03\Omega$
Insulation resistance	$\geq 100M\Omega$ DC250V
Pressure resistance	AC 500V 1min
Insertion force	3-30N
Operating temperature range	-40C°~+85C°
service life	5000cycles



SCHEMATIC

GENERAL TOLERANCE		DONGGUAN BAOXUN PRECISION TECHNOLOGY CO., LTD				
DIM. TOL.		TITLE: DC SOCKET				
x. ±0.30		DWG. NO.: DC-007B-2.0-W		CHECKED: MAX		
x.xx ±0.25		PART NO.: DC-007B-2.0-W		DRAWN: ELLA		
x.xxx ±0.15		UNIT: mm		SCALE: none	SHEET: 1 of 1	APPROVED: WILL
GENERAL ANGLE: x' ±5° x.x' ±1°		DWG. SIZE: A4	LAYER: bxconn			