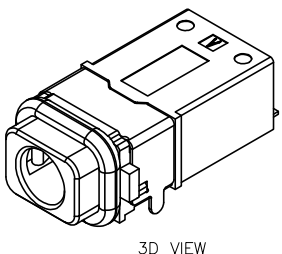
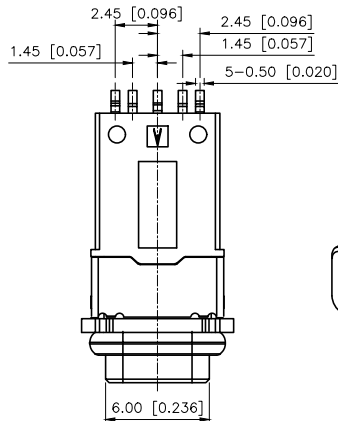
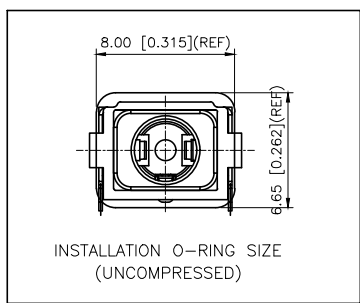
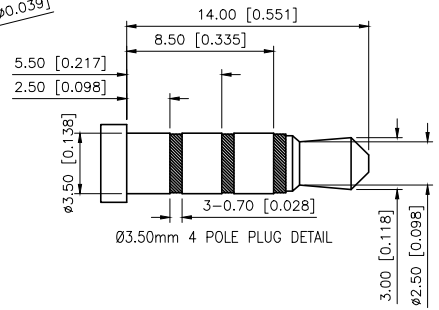
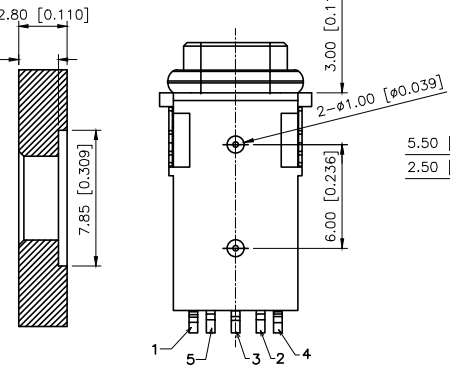
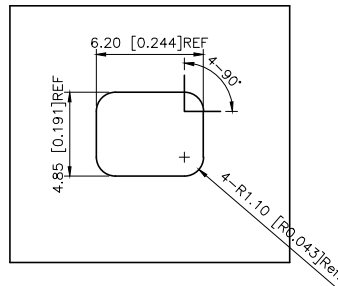
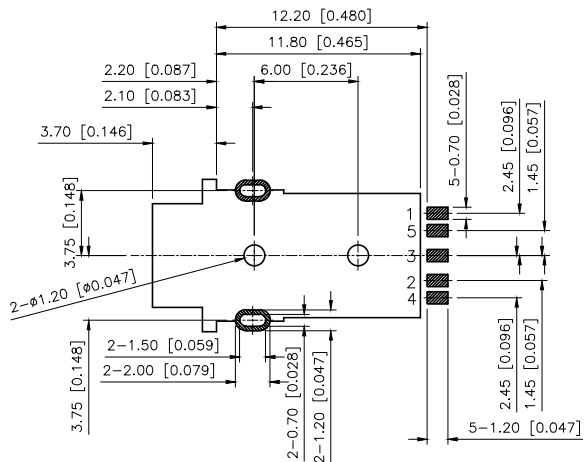
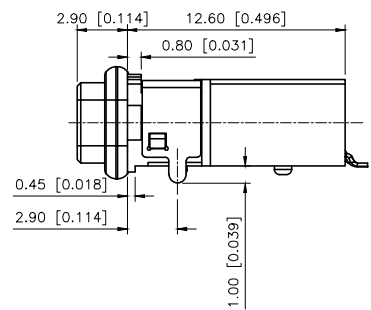
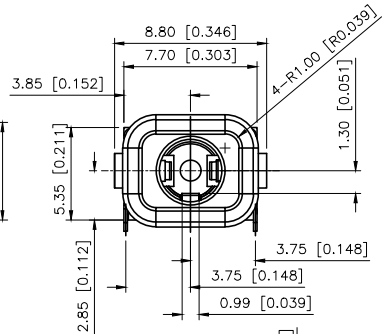
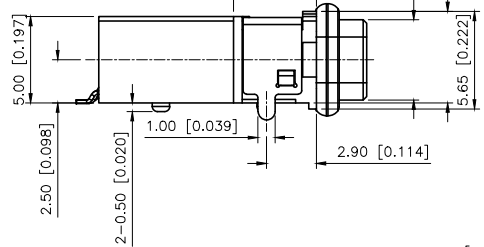
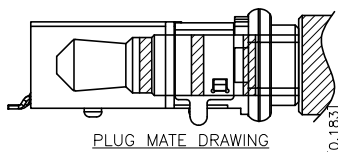
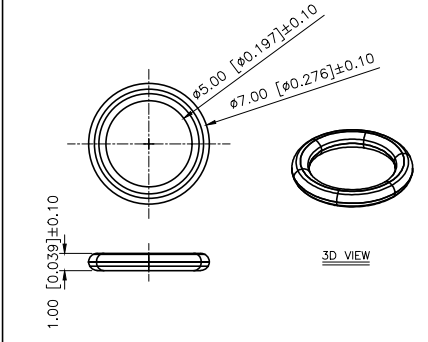


REVISIONS					
REV.	ECN NO.	LOCATION	DESCRIPTION	DATE	DESIGN
A1	N/A		图面升级整理图面	2025.08.15	阿树
A2	N/A		新增防水圈	2026.02.28	阿树

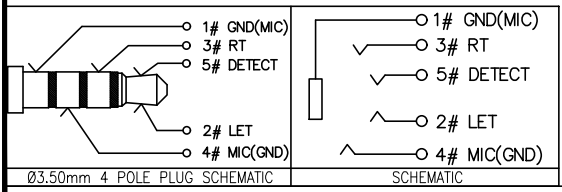


3D VIEW

- NOTES
- CURRENT RATING: 1A.
  - CONTACT RESISTANCE: 50mΩ MAX.
  - INSULATION RESISTANCE: 100MΩ MIN.
  - DIELECTRIC WITHSTANDING: 500V AC MIN.
  - DURABILITY: 5000 CYCLES MIN.
  - CONNECTOR MATING FORCES: 3~30N.
  - CONNECTOR UNMATING FORCES: 3~30N.
  - OPERATING TEMPERATURE: -25°C TO +85°C.
  - TEPROOF LEVEL: IPX7



ITEM	DESCRIPTION	Q'TY	DESCRIPTION
⑨	SILICA GEL	1	SILICA GEL COLOR BLACK
⑧	COVER	1	HIGH TEMPERATURE PLASTIC; BLACK
⑦	HOUSING	1	HIGH TEMPERATURE PLASTIC; BLACK
⑥	SHELL	1	OVERALL ELECTROPLATING OF NICKEL
⑤	TERMINAL 5#	1	
④	TERMINAL 4#	1	PHOSPHOR BRONZE; GOLD FLASH ON CONTACT AREA; GOLD FLASH PLATING ON SOLDER TAIL AREA, ALL OVER NICKEL PLATED
③	TERMINAL 3#	1	
②	TERMINAL 2#	1	PHOSPHOR BRONZE; GOLD FLASH ON CONTACT AREA; GOLD FLASH PLATING ON SOLDER TAIL AREA, ALL OVER NICKEL PLATED
①	TERMINAL 1#	1	



AuGLAR	±5°
X.	±0.40
X.x	±0.30
X.xx	±0.20
X.xxx	±0.15
UNSPECIFIED TOLERANCES	



DESIGN	阿树	VIEW:		MODEL TYPE:	3.5 PHONE JACK
CHECKED		UNIT:	mm/in	PART NO.:	PJ-3254A-SMT
APPROVED		SIZE:	A4	DWG NO.:	