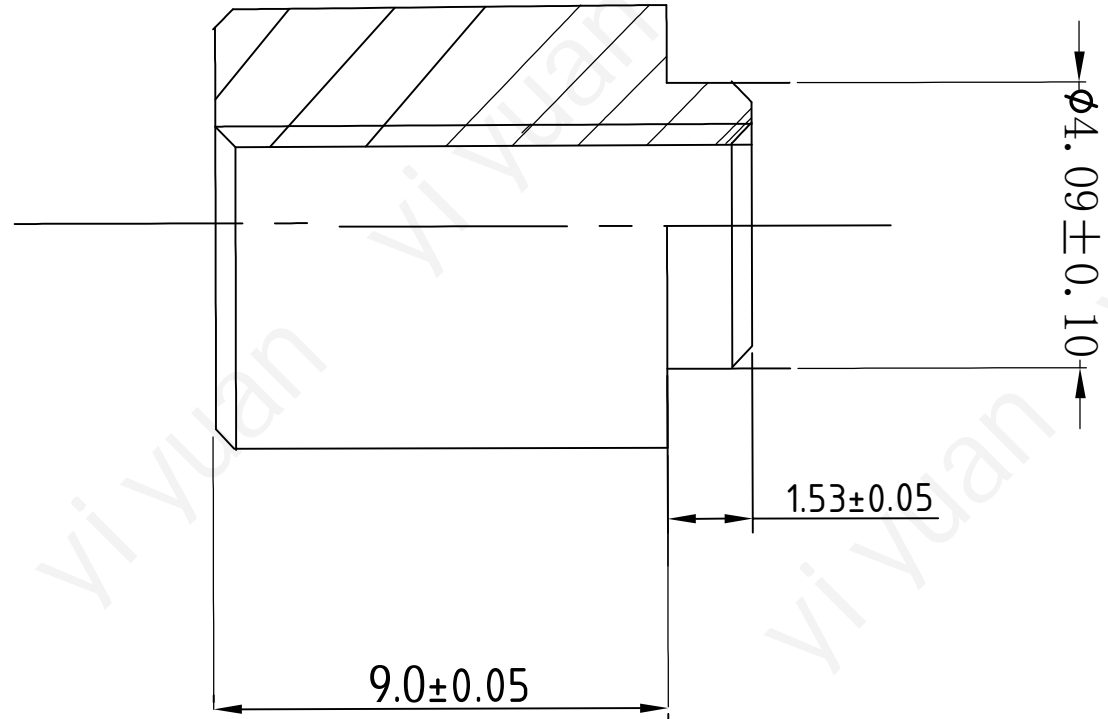
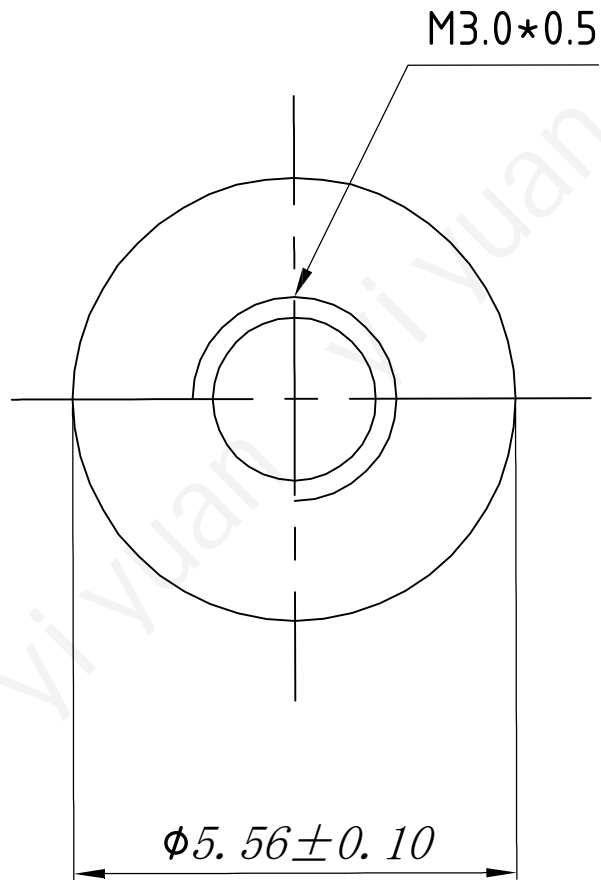


版本	变更内容	工程确认	日期



NOTES:

1. Material: Cu C3604;
2. Surface Treatment: Tin Matte 2-3um over Nickel 1-3um;
3. Remove all burrs and sharpe angle .product is clean;
4. Packaged on 13" recyclable reels, Tape width is 24mm Supplied with polyamide patch for vacuum pick up, Reels conform to EIA-481 ;
5. RoHS Compliant.

 深圳市怡远科技有限公司 SHENZHEN YIYUAN TECHNOLOGY CO.,LTD	页码 (SHEET)	1/1	单位(UNIT): MM
	版本 (REV)	A1	比例(SCALE)
品名 (ITEM NO)	M3 × 5.56 × L9.0+1.53 C3604 Ni+Sn	日期 (DATE)	2021. 10. 12
料号 (PART NO)	SMTSOM390BTR	设计 (DESIGN)	LUO
图号 (DWG NO)		审核 (CHECKED)	ROGER LI
		核准 (APPROVED)	ROC ZHAO

未注公差 TOLERANCE UNSPECIFIED	
X ±0.20	X* ± 4°
.X ±0.10	.X* ± 2°
.XX ±0.05	.XX* ± 1°

These drawings and specifications are Shenzhen Yiyuan Technology Co Ltd. The property should not be copied. Without Shenzhen Yiyuan Technology Co. Ltd. Prior written consent to copy or use in any way. Email at info@yiyuanswitches.com