

Embedded Multi-Media Card

(e•MMC™ 5.1)

EMMC32G-TS0A-01001

v1.2

Kingston Digital Inc.

Product Features

- Packaged managed NAND flash memory with *e*•MMC™ 5.1 interface
- Backward compatible with all prior *e*•MMC™ specification revisions
- 153-ball JEDEC FBGA RoHS Compliant package
- Operating voltage range:
 - VCCQ = 1.8 V/3.3 V
 - VCC = 3.3 V
- Operating Temperature -25C to +85C
- Storage Temperature -40C to +85C
- Compliant with *e*•MMC™ 5.1 JEDEC Standard Number JESD84-B51

e•MMC™ Specific Feature Support

- High-speed *e*•MMC™ protocol
- Variable clock frequencies of 0-200MHz
- Ten-wire bus interface (clock, 1 bit command, 8 bit data bus) with an optional hardware reset
- Supports three different data bus widths: 1 bit(default), 4 bits, 8 bits
- Bus Modes:
 - Single data transfer rate: up to 52MB/s (using 8 parallel data lines at 52MHz)
 - Dual data rate mode (DDR-104) : up to 104MB/s @ 52MHz
 - High speed, single data rate mode (HS-200) : up to 200MB/s @ 200MHz
 - High speed, dual data rate mode (HS-400) : up to 400MB/s @ 200MHz
- Supports alternate boot operation mode to provide a simple boot sequence method
 - Supports SLEEP/AWAKE (CMD5)
 - Host initiated explicit sleep mode for power saving
- Enhanced write protection with permanent and partial protection options
- Multiple user data partition with enhanced attribute for increased reliability
- Error free memory access
 - Cyclic Redundancy Code (CRC) for reliable command and data communication
 - Internal error correction code (ECC) for improved data storage integrity
 - Internal enhanced data management algorithm
 - Data protection for sudden power failure during program operations
- Security
 - Secure bad block erase commands
 - Enhanced write protection with permanent and partial protection options
- Power off notification for sleep
- Field firmware update (FFU)
- Production state awareness
- Device health report
- Command queuing
- Enhanced strobe
- Cache flushing report
- Cache barrier

- Background operation control & High Priority Interrupt (HPI)
- RPMB throughput improvement
- Secure write protection
- Pre EOL information
- Optimal size
- Endurance of 3,000 Program-erase cycles

Product Description

Kingston's e•MMC™ products conform to the JEDEC e•MMC™ 5.1 standard. These devices are an ideal universal storage solution for many commercial and industrial applications. In a single integrated packaged device, e•MMC™ combines triple-level cell (TLC) NAND flash memory with an onboard e•MMC™ controller, providing an industry standard interface to the host system. The integrated e•MMC™ controller directly manages NAND flash media which relieves the host processor of these tasks, including flash media error control, wear-leveling, NAND flash management and performance optimization. Future revision to the JEDEC e•MMC™ standard will always maintain backward compatibility. The industry standard interface to the host processor ensures compatibility across future NAND flash generations as well, easing product sustainment throughout the product life cycle.

Configurations

Kingston's e•MMC™ products support a variety of configurations that allow the e•MMC™ device to be tailored to your specific application needs. The most popular configurations described below are each offered under standard part numbers.

Standard TLC – By default the e•MMC™ device is configured with the NAND flash in a standard TLC mode. This configuration provides reasonable performance and reliability for many applications.

Pseudo Single Level Cell (pSLC) – The TLC NAND flash in the Kingston e•MMC™ device can be configured to further improve device endurance, data retention, reliability and performance over the standard TLC configuration. This is done by converting the NAND TLC cells to a pseudo single level cell (SLC) configuration. In this configuration, along with the performance and reliability gains, the device capacity is reduced by 2/3 of the capacity. This one-time configuration is achieved by setting the e•MMC™ enhanced attribute for the hardware partition.

Kingston e•MMC™ can be ordered preconfigured with the option of *reliable write* or *pSLC* at no additional cost. Standard TLC devices can also be one-time configured in-field by following the procedures outlined in the JEDEC e•MMC™ specification. The JEDEC e•MMC™ specification allows for many additional configurations such as up to 4 additional general purpose (GPn) hardware partitions each with the option to support pSLC and *reliable write*. Additionally, Kingston provides a content loading service that can streamline your product assembly while reducing production costs. For more information, contact your Kingston representative.

Kingston e•MMC™ devices are fully compliant with the JEDEC Standard Specification No. JESD84-B51. This datasheet provides technical specifications for Kingston's family of e•MMC™ devices. Refer to the JEDEC e•MMC™ standard for specific information related to e•MMC™ device function and operation. See: <http://www.jedec.org/sites/default/files/docs/JESD84-B51.pdf>

Part Numbering

Figure 1 – Part Number Format

EMMC	32G	-	TS0A	-	01001
A	B		C		D

Part Number Fields

A: Product Family : **EMMC**

B: Device Capacity : Available capacities of 32GB

C: Hardware Revision and Configuration

D: Device Firmware Revision and Configuration

Table 1 - Device Summary

Product Part Number	NAND Density	Package	Operating voltage
EMMC32G-TS0A-01001	32GB	FBGA153	V _{CC} =3.3V, V _{CCQ} =1.8V/3.3V

Device Performance

Table 2 below provides sequential read and write speeds for all capacities. Performance numbers can vary under different operating conditions. Values are given at HS400 bus mode. Contact your Kingston Representative for performance numbers using other bus modes.

Table 2 - Sequential Read / Write Performance

Product	Transfer Rate (MB/s)	
	Sequential Read	Sequential Write
EMMC32G-TS0A-01001	300	30

Power Consumption

Device current consumption for various device configurations is defined in the power class fields of the EXT_CSD register. Power consumption values are summarized in Table 3 below.

Table 3 - Device Power Consumption

Product	Read (mA)		Write (mA)		Standby (mA)
	VCCQ = 1.8V	VCC=3.3V	VCCQ = 1.8V	VCC = 3.3V	
EMMC32G-TS0A-01001	148.9	97.61	82.07	57.87	0.13

Note: Measurement operating conditions were conducted at HS400 bus mode, VCC = 3.3V \pm 5%, VCCQ = 1.8V \pm 5%. Standby current measured at 8-bit bus, VCC = 3.3V \pm 5%, with clock idle.

Device and Partition Capacity

The device NAND flash capacity is divided across two boot partitions (4096 KB each), a Replay Protected Memory Block (RPMB) partition (4096 KB), and the main user storage area. Four additional general purpose storage partitions can be created from the user partition. These partitions can be factory preconfigured or configured in-field by following the procedure outlined in section 6.2 of the JEDEC eMMC™ specification JESD84-B51. A small portion of the NAND storage capacity is used for the storage of the onboard controller firmware and mapping tables. Additionally, several NAND blocks are held in reserve to boost performance and extend the life of the eMMC™ device. Table 4 identifies the specific capacity of each partition. This information is reported in the device EXT_CSD register. The contents of this register are also listed in the Appendix.

Table 4 - Partition Capacity

Part Number	Partition			
	User	Boot 1	Boot 2	RPMB
EMMC32G-TS0A-01001	31,293,702,144 B	4096 KB	4096 KB	4096 KB

Table 5 - eMMC™ Operating Voltage

Parameter	Symbol	Min	Nom	Max	Unit
Supply voltage (NAND)	V_{CC}	2.7	3.3	3.6	V
Supply voltage (I/O)	$V_{CCQ}^{(1)}$	2.7	3.3	3.6	V
		1.7	1.8	1.95	V
Supply power-up for 3.3V	t_{PRUH}			35	ms
Supply power-up for 1.8V	t_{PRUL}			25	ms
Note 1 : V_{CCQ} (I/O) 3.3 volt range is not supported while operating in HS200 & HS400 modes					

e•MMC™ Bus Modes

Kingston e•MMC™ devices support all bus modes defined in the JEDEC e•MMC™ 5.1 specification. These modes are summarized in Table 6 below.

Table 6 - e•MMC™ Bus Modes

Mode	Data Rate	IO Voltage	Bus Width	CLK Frequency	Maximum Data Bus Throughput
Legacy MMC	Single	3.3V / 1.8V	1, 4, 8	0 – 26 MHz	26 MB/s
High Speed SDR	Single	3.3V / 1.8V	4, 8	0 – 52 MHz	52 MB/s
High Speed DDR	Dual	3.3V / 1.8V	4, 8	0 – 52 MHz	104 MB/s
HS200	Single	1.8V	4, 8	0 – 200 MHz	200 MB/s
HS400	Dual	1.8V	8	0 – 200 MHz	400 MB/s

Signal Description

Table 7 - eMMC™ Signals

Name	Type	Description
CLK	I	Clock: Each cycle of this signal directs a one bit transfer on the command and either a one bit (1x) or a two bits transfer (2x) on all the data lines. The frequency may vary between zero and the maximum clock frequency.
DAT[7:0]	I/O/PP	Data: These are bidirectional data channels. The DAT signals operate in push-pull mode. These bidirectional signals are driven by either the eMMC™ device or the host controller. By default, after power up or reset, only DAT0 is used for data transfer. A wider data bus can be configured for data transfer, using either DAT0-DAT3 or DAT0-DAT7, by the eMMC™ host controller. The eMMC™ device includes internal pull-ups for data lines DAT1-DAT7. Immediately after entering the 4-bit mode, the device disconnects the internal pull ups of lines DAT1, DAT2, and DAT3. Correspondingly, immediately after entering to the 8-bit mode, the device disconnects the internal pull-ups of lines DAT1–DAT7.
CMD	I/O/PP/OD	Command: This signal is a bidirectional command channel used for device initialization and transfer of commands. The CMD signal has two operation modes: open-drain for initialization mode, and push-pull for fast command transfer. Commands are sent from the eMMC™ host controller to the eMMC™ device and responses are sent from the device to the host.
DS	O	This signal is generated by the device and used for output in HS400 mode. The frequency of this signal follows the frequency of CLK. For data output each cycle of this signal directs two bits transfer(2x) on the data - one bit for positive edge and the other bit for negative edge. For CRC status response output and CMD response output (enabled only HS400 enhanced strobe mode), the CRC status and CMD Response are latched on the positive edge only, and don't care on the negative edge.
RST_n	I	Hardware Reset: By default, hardware reset is disabled and must be enabled in the EXT_CSD register if used. Otherwise, it can be left un-connected.
RFU	-	Reserved for future use: These pins are not internally connected. Leave floating
NC	-	Not Connected: These pins are not internally connected. Signals can be routed through these balls to ease printed circuit board design. See Kingston's Design Guidelines for further details.
VSF	-	Vendor Specific Function: These pins are not internally connected
Vddi	-	Internal Voltage Node: Note that this is not a power supply input. This pin provides access to the output of an internal voltage regulator to allow for the connection of an external Creg capacitor. See Kingston's Design Guidelines for further details.
Vcc	S	Supply voltage for core

Note: I=Input; O=Output; PP=Push-Pull; OD=Open_Drain; NC=Not Connected(or logical high); S=Power Supply

Signal Description Continued

Table 8 - eMMC™ Signals Continued

Name	Type	Description
Vccq	S	Supply voltage for I/O
Vss	S	Supply ground for core
Vssq	S	Supply ground for I/O

Note: I=Input; O=Output; PP=Push-Pull; OD=Open_Drain; NC=Not Connected(or logical high); S=Power Supply

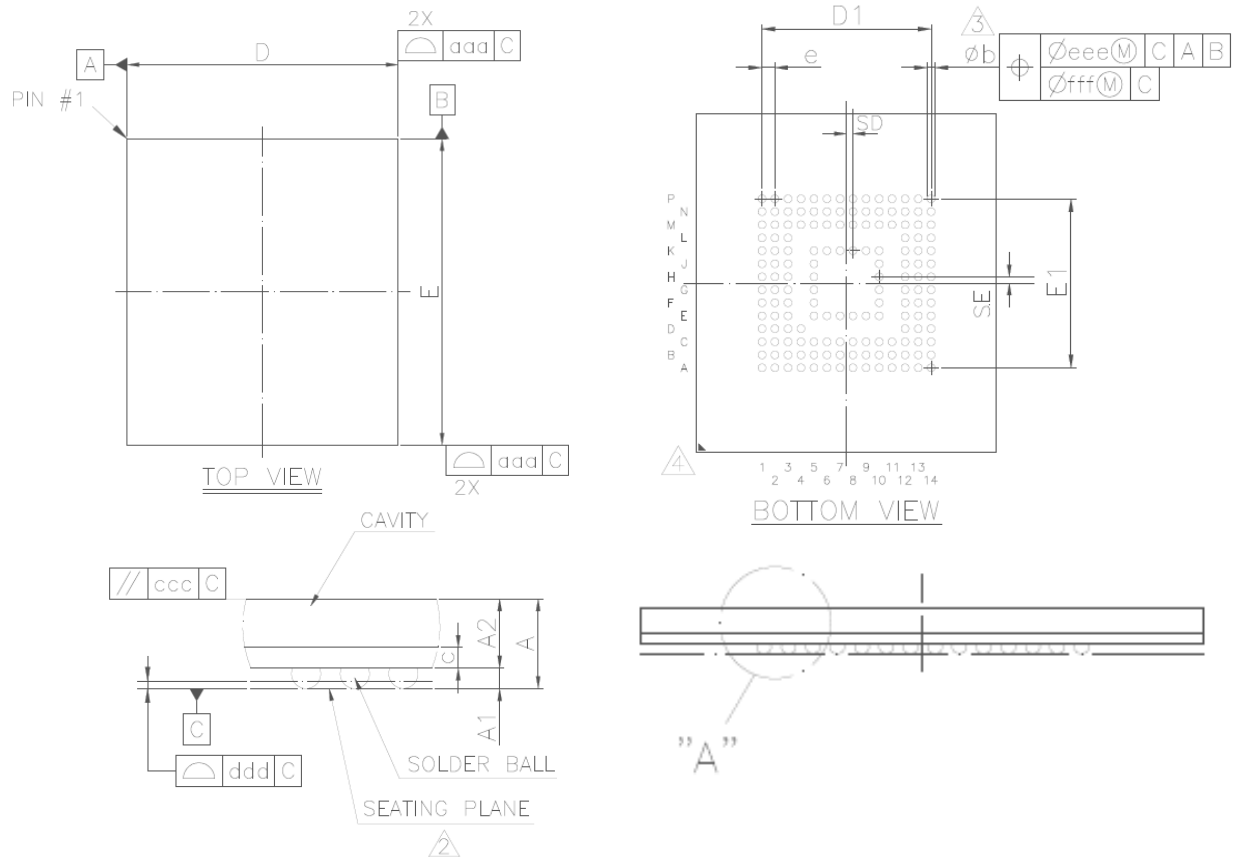
Design Guidelines

Design guidelines are outlined in a separate document. Contact your Kingston Representative for more information.

Package Dimensions

11.5 x 13.0 x (Max 1.0 mm)

Figure 2 – Package Dimensions



Symbol	Dimension in mm			Dimension in inch		
	MIN	NOM	MAX	MIN	NOM	MAX
A	0.84	0.92	1.00	0.033	0.036	0.040
A1	0.16	0.21	0.26	0.006	0.008	0.010
A2	0.66	0.71	0.76	0.026	0.028	0.030
c	0.17	0.21	0.25	0.007	0.008	0.010
D	11.40	11.50	11.60	0.449	0.453	0.457
E	12.90	13.00	13.10	0.508	0.512	0.516
D1	---	6.50	---	---	0.256	---
E1	---	6.50	---	---	0.256	---
e	---	0.50	---	---	0.020	---
b	0.25	0.30	0.35	0.010	0.012	0.014
aaa	0.15			0.006		
ccc	0.15			0.006		
ddd	0.08			0.003		
eee	0.15			0.006		
fff	0.05			0.002		
SD	0.25			0.010		
SE	0.25			0.010		
MD/ME	14/14					

Ball Assignment (153 ball)

Table 9 – Ball Assignment, Top View (HS400)

	1	2	3	4	5	6	7	8	9	10	11	12	13	14			
A	NC	NC	DAT0	DAT1	DAT2	Vss	RFU	NC	NC	NC	NC	NC	NC	NC	A		
B	NC	DAT3	DAT4	DAT5	DAT6	DAT7	NC	NC	NC	NC	NC	NC	NC	NC	B		
C	NC	Vddi	NC	Vssq	NC	Vccq	NC	NC	NC	NC	NC	NC	NC	NC	C		
D	NC	NC	NC	NC								NC	NC	NC	D		
E	NC	NC	NC		RFU	Vcc	Vss	VSF	VSF	VSF				NC	NC	NC	E
F	NC	NC	NC		Vcc					VSF				NC	NC	NC	F
G	NC	NC	RFU		Vss					VSF				NC	NC	NC	G
H	NC	NC	NC		DS					Vss				NC	NC	NC	H
J	NC	NC	NC		Vss					Vcc				NC	NC	NC	J
K	NC	NC	NC		RST_n	RFU	RFU	Vss	Vcc	VSF				NC	NC	NC	K
L	NC	NC	NC								NC	NC	NC	L			
M	NC	NC	NC	Vccq	CMD	CLK	NC	NC	NC	NC	NC	NC	NC	NC	M		
N	NC	Vssq	NC	Vccq	Vssq	NC	NC	NC	NC	NC	NC	NC	NC	NC	N		
P	NC	NC	Vccq	Vssq	Vccq	Vssq	RFU	NC	NC	RFU	NC	NC	NC	NC	P		
	1	2	3	4	5	6	7	8	9	10	11	12	13	14			

Note: VSF, RFU and NC balls are not electrically connected. RFU balls may be defined with functionality by the Joint Electron Device Engineering Council (JEDEC) in future revisions of the e•MMC™ standard. Please refer to Kingston’s design guidelines for more info.

Device Marking

Figure 4 - EMMC Package Marking



Line 1: Kingston logo

Line 2: 240xxxx-xxx.xxxx-x: Internal control number

Line 3: YYWW: Date code (YY– Last 2 digital of year, WW- Work week)

PPPPPPPPPPPP Internal control number (within 12 digits)

Line 4: Part Number: xxxxxx-xxxxxxx

Line 5: xxxxxxxxxxxx: Internal control number (within 12 digits)

Line 6: Country of Origin (CoO): TAIWAN *or* CHINA

Card Identification Register (CID)

The Card Identification (CID) register is a 128-bit register that contains device identification information used during the eMMC™ protocol device identification phase. Refer to JEDEC Standard Specification No.JESD84-B51 for details.

Field	Bits	Value
MID	[127:120]	0x70
reserved	[119:114]	0x00
CBX	[113:112]	0x01
OID	[111:104]	0x00
PNM	[103:56]	TS0A32
PRV	[55:48]	0x01
PSN	[47:16]	Random
MDT	[15:8]	month, year
CRC	[7:1]	Follows JEDEC Standard
reserved	[0:0]	0x01

Card Specific Data Register [CSD]

The Card-Specific Data (CSD) register provides information on how to access the contents stored in eMMC™. The CSD registers are used to define the error correction type, maximum data access time, data transfer speed, data format...etc. For details, refer to section 7.3 of the JEDEC Standard Specification No.JESD84-B51.

Field	Bits	Value
CSD_Structure	[127:126]	0x03 (V2.0)
SPEC_VER	[125:122]	0x04 (V4.0~4.2)
reserved	[121:120]	0x00
TAAC	[119:112]	0x4F (80ms)
NSAC	[111:104]	0x01
TRAN_SPEED	[103:96]	0x32 (26Mbit/s)
CCC	[95:84]	0x0F5
READ_BLK_LEN	[83:80]	0x09 (512 Bytes)
READ_BLK_PARTIAL	[79:79]	0x00
WRITE_BLK_MISALIGN	[78:78]	0x00
READ_BLK_MISALIGN	[77:77]	0x00
DSR_IMP	[76:76]	0x00
reserved	[75:74]	0x00
C_SIZE	[73:62]	0xFFF
VDD_R_CURR_MIN	[61:59]	0x07 (100mA)
VDD_R_CURR_MAX	[58:56]	0x07 (200mA)
VDD_W_CURR_MIN	[55:53]	0x07 (100mA)
VDD_W_CURR_MAX	[52:50]	0x07 (200mA)
C_SIZE_MULT	[49:47]	0x07 (512 Bytes)
ERASE_GRP_SIZE	[46:42]	0x1F
ERASE_GRP_MULT	[41:37]	0x1F
WP_GRP_SIZE	[36:32]	0x0F
WP_GRP_ENABLE	[31:31]	0x01
DEFAULT_ECC	[30:29]	0x00
R2W_FACTOR	[28:26]	0x02
WRITE_BLK_LEN	[25:22]	0x09 (512 Bytes)
WRITE_BLK_PARTIAL	[21:21]	0x00
reserved	[20:17]	0x00
CONTENT_PROT_APP	[16:16]	0x00
FILE_FORMAT_GRP	[15:15]	0x00
COPY	[14:14]	0x00
PERM_WRITE_PROTECT	[13:13]	0x00
TMP_WRITE_PROTECT	[12:12]	0x00
FILE_FORMAT	[11:10]	0x00

Field	Bits	Value
ECC	[9:8]	0x00
CRC	[7:1]	Follow JEDEC Standard
reserved	[0:0]	0x01

Extended Card Specific Data Register [EXT_CSD]

The Extended CSD register defines the Device properties and selected modes. It is 512 bytes long. The most significant 320 bytes are the Properties segment, which defines the Device capabilities and cannot be modified by the host. The lower 192 bytes are the Modes segment, which defines the configuration the Device is working in. These modes can be changed by the host by means of the SWITCH command. For details, refer to section 7.4 of the JEDEC Standard Specification No. JESD84-B51.

Field	Byte	Value
Reserved	[511:506]	0
EXT_SECURITY_ERR	[505:505]	0x00
S_CMD_SET	[504:504]	0x01
HPI_FEATURES	[503:503]	0x01
BKOPS_SUPPORT	[502:502]	0x01
MAX_PACKED_READS	[501:501]	0x3F
MAX_PACKED_WRITES	[500:500]	0x3F
DATA_TAG_SUPPORT	[499:499]	0x01
TAG_UNIT_SIZE	[498:498]	0x03
TAG_RES_SIZE	[497:497]	0x00
CONTEXT_CAPABILITIES	[496:496]	0x05
LARGE_UNIT_SIZE_M1	[495:495]	0x07
EXT_SUPPORT	[494:494]	0x03
SUPPORTED_MODES	[493:493]	0x03
FFU_FEATURES	[492:492]	0x00
OPERATION_CODE_TIMEOUT	[491:491]	0x00
FFU_ARG	[490:487]	0
BARRIER_SUPPORT	[486:486]	0x00
Reserved	[485:309]	0
CMDQ_SUPPORT	[308:308]	0x01
CMDQ_DEPTH	[307:307]	0x1F
Reserved	[306:306]	0x00
NUMBER_OF_FW_SECTORS_CORRECTLY_PROGRAMMED	[305:302]	0
VENDOR_PROPRIETARY_HEALTH_REPORT	[301:270]	1
DEVICE_LIFE_TIME_EST_TYP_B	[269:269]	0x01
DEVICE_LIFE_TIME_EST_TYP_A	[268:268]	0x01
PRE_EOL_INFO	[267:267]	0x01
OPTIMAL_READ_SIZE	[266:266]	0x00
OPTIMAL_WRITE_SIZE	[265:265]	0x20
OPTIMAL_TRIM_UNIT_SIZE	[264:264]	0x01
DEVICE_VERSION	[263:262]	0
FIRMWARE_VERSION	[261:254]	0x01
PWR_CL_DDR_200_360	[253:253]	0x00

Field	Byte	Value
CACHE_SIZE	[252:249]	65536
GENERIC_CMD6_TIME	[248:248]	0x0A
POWER_OFF_LONG_TIME	[247:247]	0x3C
BKOPS_STATUS	[246:246]	0x00
CORRECTLY_PRG_SECTORS_NUM	[245:242]	0
INI_TIMEOUT_AP	[241:241]	0x1E
CACHE_FLUSH_POLICY	[240:240]	0x00
PWR_CL_DDR_52_360	[239:239]	0x00
PWR_CL_DDR_52_195	[238:238]	0x00
PWR_CL_200_195	[237:237]	0x00
PWR_CL_200_130	[236:236]	0x00
MIN_PERF_DDR_W_8_52	[235:235]	0x00
MIN_PERF_DDR_R_8_52	[234:234]	0x00
Reserved	[233:233]	0x00
TRIM_MULT	[232:232]	0x07
SEC_FEATURE_SUPPORT	[231:231]	0x55
SEC_ERASE_MULT	[230:230]	0xF7
SEC_TRIM_MULT	[229:229]	0xF7
BOOT_INFO	[228:228]	0x07
Reserved	[227:227]	0x00
BOOT_SIZE_MULT	[226:226]	0x20
ACC_SIZE	[225:225]	0x06
HC_ERASE_GRP_SIZE	[224:224]	0x01
ERASE_TIMEOUT_MULT	[223:223]	0x07
REL_WR_SEC_C	[222:222]	0x01
HC_WP_GRP_SIZE	[221:221]	0x10
S_C_VCC	[220:220]	0x07
S_C_VCCQ	[219:219]	0x07
PRODUCTION_STATE_AWARENESS_TIMEOUT	[218:218]	0x00
S_A_TIMEOUT	[217:217]	0x16
SLEEP_NOTIFICATION_TIME	[216:216]	0x10
SEC_COUNT	[215:212]	61120512
SECURE_WP_INFO	[211:211]	0x01
MIN_PERF_W_8_52	[210:210]	0x00
MIN_PERF_R_8_52	[209:209]	0x00
MIN_PERF_W_8_26_4_52	[208:208]	0x00
MIN_PERF_R_8_26_4_52	[207:207]	0x00
MIN_PERF_W_4_26	[206:206]	0x00
MIN_PERF_R_4_26	[205:205]	0x00
Reserved	[204:204]	0x00
PWR_CL_26_360	[203:203]	0x00

Field	Byte	Value
PWR_CL_52_360	[202:202]	0x00
PWR_CL_26_195	[201:201]	0x00
PWR_CL_52_195	[200:200]	0x00
PARTITION_SWITCH_TIME	[199:199]	0x0A
OUT_OF_INTERRUPT_TIME	[198:198]	0x05
DRIVER_STRENGTH	[197:197]	0x1F
DEVICE_TYPE	[196:196]	0x57
Reserved	[195:195]	0x00
CSD_STRUCTURE	[194:194]	0x02
Reserved	[193:193]	0x00
EXT_CSD_REV	[192:192]	0x08
CMD_SET	[191:191]	0x00
Reserved	[190:190]	0x00
CMD_SET_REV	[189:189]	0x00
Reserved	[188:188]	0x00
POWER_CLASS	[187:187]	0x00
Reserved	[186:186]	0x00
HS_TIMING	[185:185]	0x01
STROBE_SUPPORT	[184:184]	0x01
BUS_WIDTH	[183:183]	0x00
Reserved	[182:182]	0x00
ERASED_MEM_CONT	[181:181]	0x00
Reserved	[180:180]	0x00
PARTITION_CONFIG	[179:179]	0x00
BOOT_CONFIG_PROT	[178:178]	0x00
BOOT_BUS_CONDITIONS	[177:177]	0x00
Reserved	[176:176]	0x00
ERASE_GROUP_DEF	[175:175]	0x00
BOOT_WP_STATUS	[174:174]	0x00
BOOT_WP	[173:173]	0x00
Reserved	[172:172]	0x00
USER_WP	[171:171]	0x00
Reserved	[170:170]	0x00
FW_CONFIG	[169:169]	0x00
RPMB_SIZE_MULT	[168:168]	0x20
WR_REL_SET	[167:167]	0x00
WR_REL_PARAM	[166:166]	0x15
SANITIZE_START	[165:165]	0x00
BKOPS_START	[164:164]	0x00
BKOPS_EN	[163:163]	0x00
RST_n_FUNCTION	[162:162]	0x00

Field	Byte	Value
HPI_MGMT	[161:161]	0x00
PARTITIONING_SUPPORT	[160:160]	0x07
MAX_ENH_SIZE_MULT	[159:157]	1243
PARTITIONS_ATTRIBUTE	[156:156]	0x00
PARTITION_SETTING_COMPLETED	[155:155]	0x00
GP_SIZE_MULT_4	[154:152]	0
GP_SIZE_MULT_3	[151:149]	0
GP_SIZE_MULT_2	[148:146]	0
GP_SIZE_MULT_1	[145:143]	0
ENH_SIZE_MULT	[142:140]	0
ENH_START_ADDR	[139:136]	0
Reserved	[135:135]	0x00
SEC_BAD_BLK_MGMNT	[134:134]	0x00
PRODUCTION_STATE_AWARENESS	[133:133]	0x00
TCASE_SUPPORT	[132:132]	0x00
PERIODIC_WAKEUP	[131:131]	0x00
PROGRAM_CID_CSD_DDR_SUPPORT	[130:130]	0x01
Reserved	[129:128]	0
VENDOR_SPECIFIC_FIELD	[127:67]	1
ERROR_CODE	[66:65]	0
ERROR_TYPE	[64:64]	0x00
NATIVE_SECTOR_SIZE	[63:63]	0x00
USE_NATIVE_SECTOR	[62:62]	0x00
DATA_SECTOR_SIZE	[61:61]	0x00
INI_TIMEOUT_EMU	[60:60]	0x00
CLASS_6_CTRL	[59:59]	0x00
DYNCAP_NEEDED	[58:58]	0x00
EXCEPTION_EVENTS_CTRL	[57:56]	0
EXCEPTION_EVENTS_STATUS	[55:54]	0
EXT_PARTITIONS_ATTRIBUTE	[53:52]	0
CONTEXT_CONF	[51:37]	0
PACKED_COMMAND_STATUS	[36:36]	0x00
PACKED_FAILURE_INDEX	[35:35]	0x00
POWER_OFF_NOTIFICATION	[34:34]	0x00
CACHE_CTRL	[33:33]	0x00
FLUSH_CACHE	[32:32]	0x00
BARRIER_CTRL	[31:31]	0x00
MODE_CONFIG	[30:30]	0x00
MODE_OPERATION_CODES	[29:29]	0x00
Reserved	[28:27]	0
FFU_STATUS	[26:26]	0x00

Field	Byte	Value
PRE_LOADING_DATA_SIZE	[25:22]	0
MAX_PRE_LOADING_DATA_SIZE	[21:18]	0
PRODUCT_STATE_AWARENESS_ENABLEMENT	[17:17]	0x00
SECURE_REMOVAL_TYPE	[16:16]	0x09
CMDQ_MODE_EN	[15:15]	0x00
Reserved	[14:0]	0

History

Revision	History	Date
v1.0	Initial Release	02 / 2024
v1.1	Updated operating temperature	04 / 2024
v1.2	Updated Package Dimension Table, CID/CSD Table	04 / 2024

Contact Kingston



For more information, visit us at: <https://www.kingston.com/en/solutions/embedded-and-industrial>

For direct support, please contact us at: <https://www.kingston.com/en/form/embedded>

For quick questions, please email us at: emmc@kingston.com