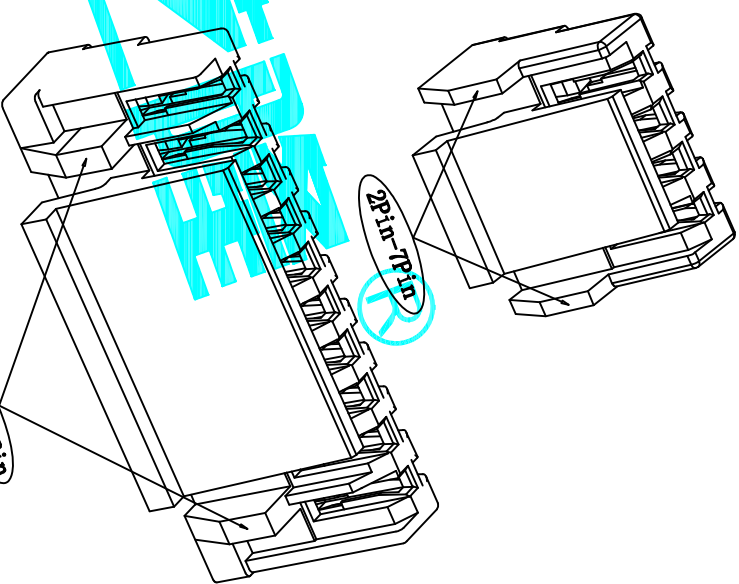


Circuits	DIW A	DIW B
2	1.25	3.75
3	2.50	5.00
4	3.75	6.25
5	5.00	7.50
6	6.25	8.75
7	7.50	10.00
8	8.75	11.25
9	10.00	12.50
10	11.25	13.75
11	12.50	15.00
12	13.75	16.25
13	15.00	17.50
14	16.25	18.75
15	17.50	20.00
16	18.75	21.25



技术参数:

- . 线数: 2-16P
- . 适用线规: AWG30#-26#
- . 温度范围: -25°C~85°C
- . 额定电压: 50V. AC/DC
- . 额定电流: 1.0A AC, DC
- . 接触电阻: $\leq 20.0m\Omega$
- . 绝缘电阻: $\geq 100M\Omega$
- . 耐压: 500V AC/1Min
- . 材 料:
- . 胶壳: PA66 UL94V-0

APPROVALS		DATE	
DRAWN	G.M.Chen	2015/5/22	
CHECKED			
APPROVALS			
TOLERANCES ARE		30 ^{+0.15} _{-0.10}	±0.30
		10 ^{+0.10} _{-0.08}	±0.20
		5 ^{+0.10} _{-0.08}	±0.15
			±0.10
TITLE:		PART NO.	
1.25mm Crimp Style Connectors		A1252-XXP	
SCALE:	1:1	SHEET	1 OF 1
DRAWING NO.		PROJ.	
ECN NO.	REV.	DATE.	DESCRIPTION.
	A		NEW

DEALON 德之隆
ELECTRONICS CO.,LTD