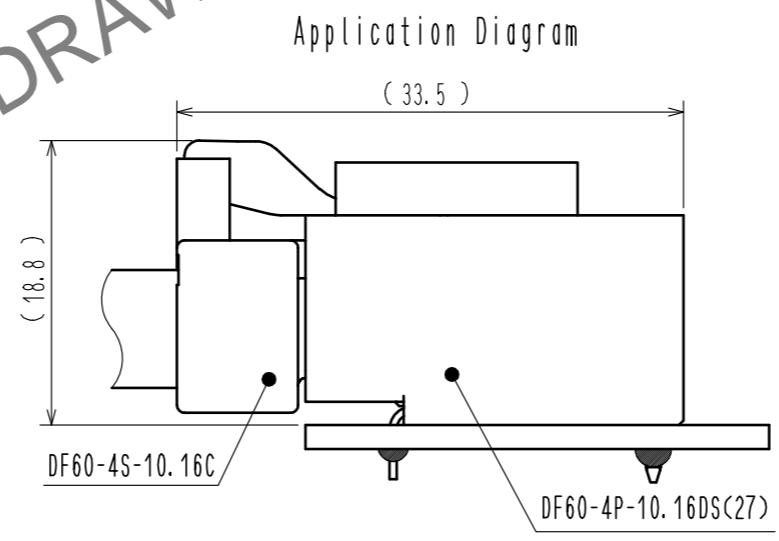
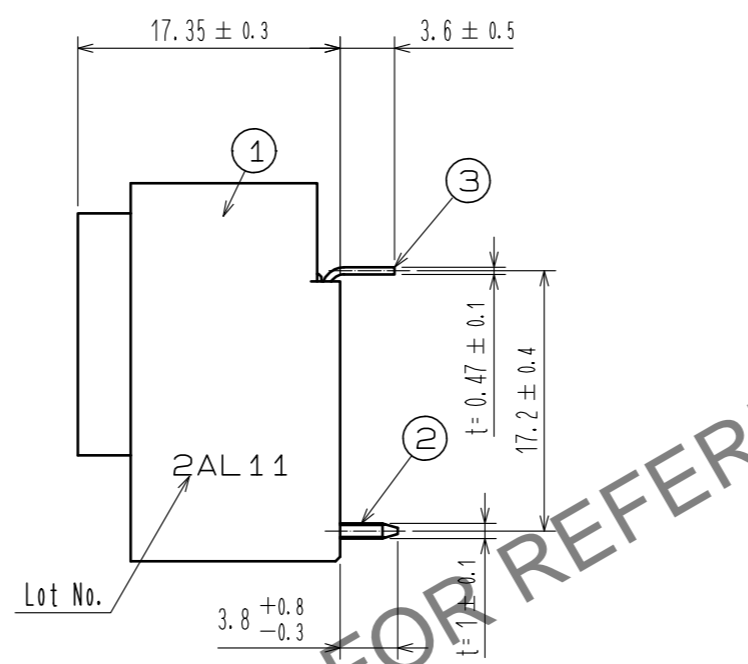
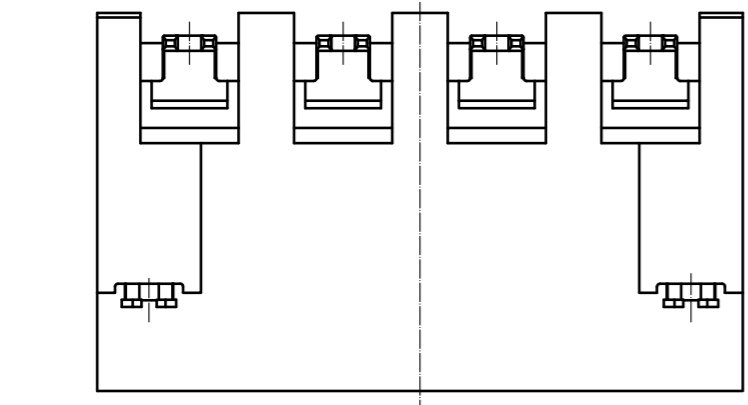
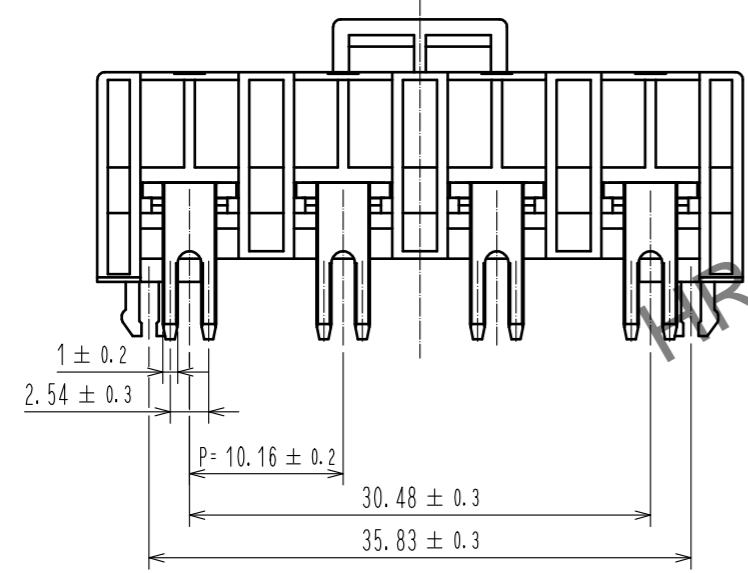
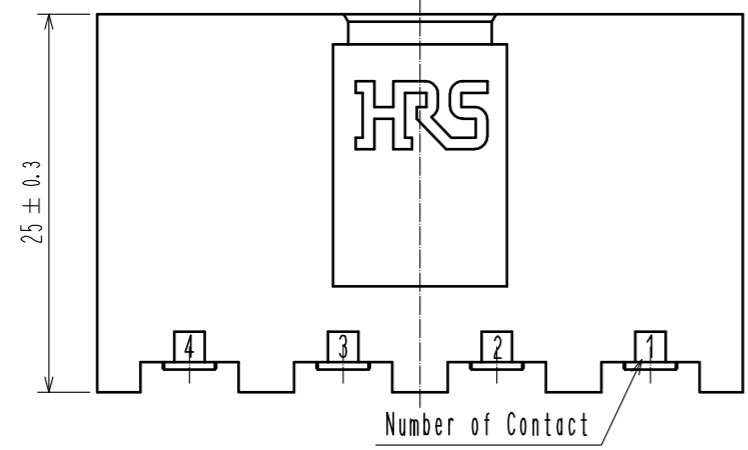
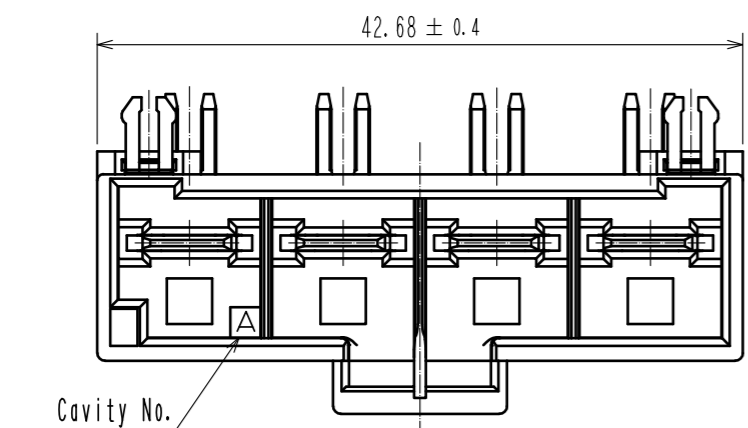
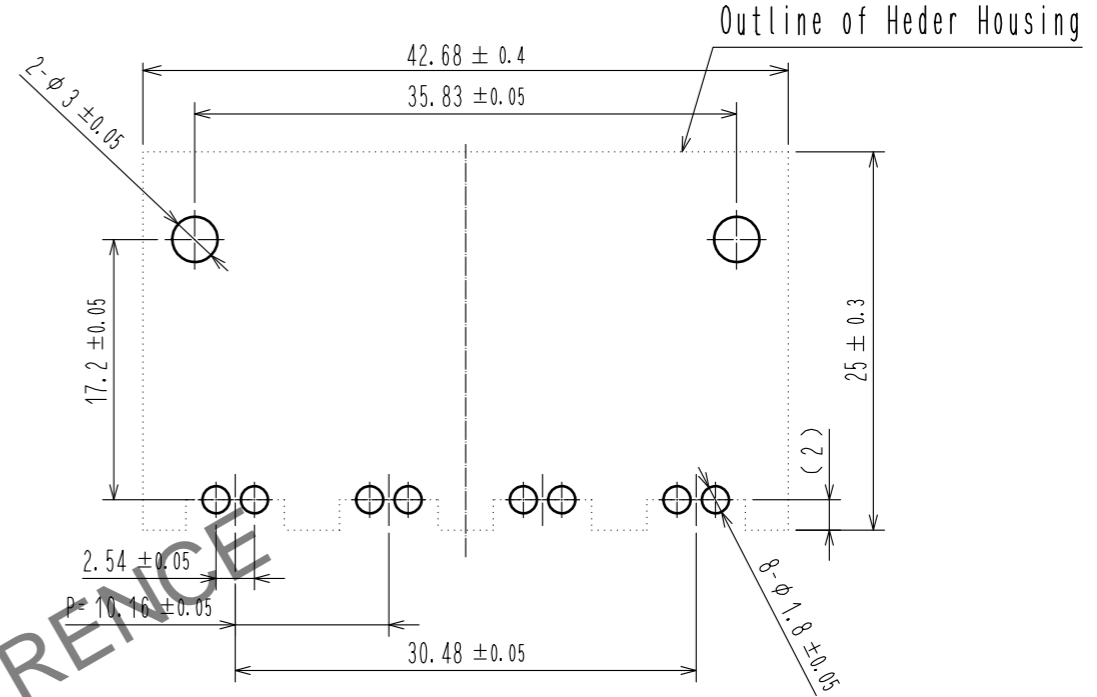


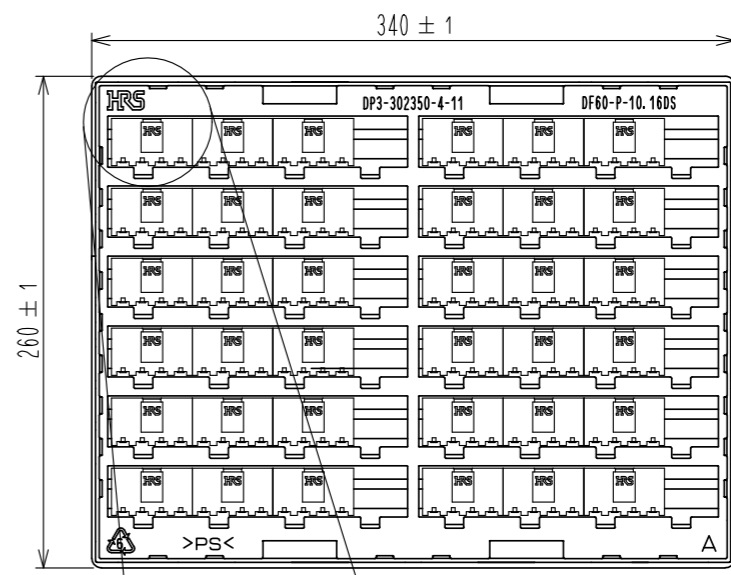
Aug.1.2023 Copyright 2023 HIROSE ELECTRIC CO., LTD. All Rights Reserved.  
 In case of consideration for using Automotive equipment / device which demand high reliability, kindly contact our sales window correspondents.



Recommended PCB Layout  
 (Board thickness : t=1.6±0.1mm)



Packing Diagram(FREE)



NOTE 1. Per TRAY : 36 Pieces.

1	PBT	BLACK. UL94-V0	3	Brass	Tin Plating 1μm min
NO.	MATERIAL	FINISH . REMARKS	NO.	Copper Array	Contact Area : Au Plating 0.2μm min Lead area : Tin Plating 1μm min Under Plating : Ni Plating 1μm min
UNITS mm		SCALE 2 : 1	COUNT	DESCRIPTION OF REVISIONS	DESIGNED
				APPROVED : KI. AKIYAMA 15.11.28	CHECKED
				CHECKED : TS. FUKUSHIMA 15.11.28	DATE
				DESIGNED : TS. KUMAZAWA 15.11.27	
				DRAWN : TS. KUMAZAWA 15.11.27	
				DRAWING NO. EDC-342146-27-00	
				PART NO. DF60-4P-10.16DS(27)	
				CODE NO. CL680-3018-0-27	