

SAW TX Filter

LTE Band 40

- Unbalanced
- RoHS compatible

P/N: **SPST40SU03C**

Date: May. 10, 2021

Version: 1.0

Sappland Microelectronics

ADD: R602, No.688 Dongxin Road, Hangzhou

Tel: +86-571-81113802

Fax: +86-571-81113812

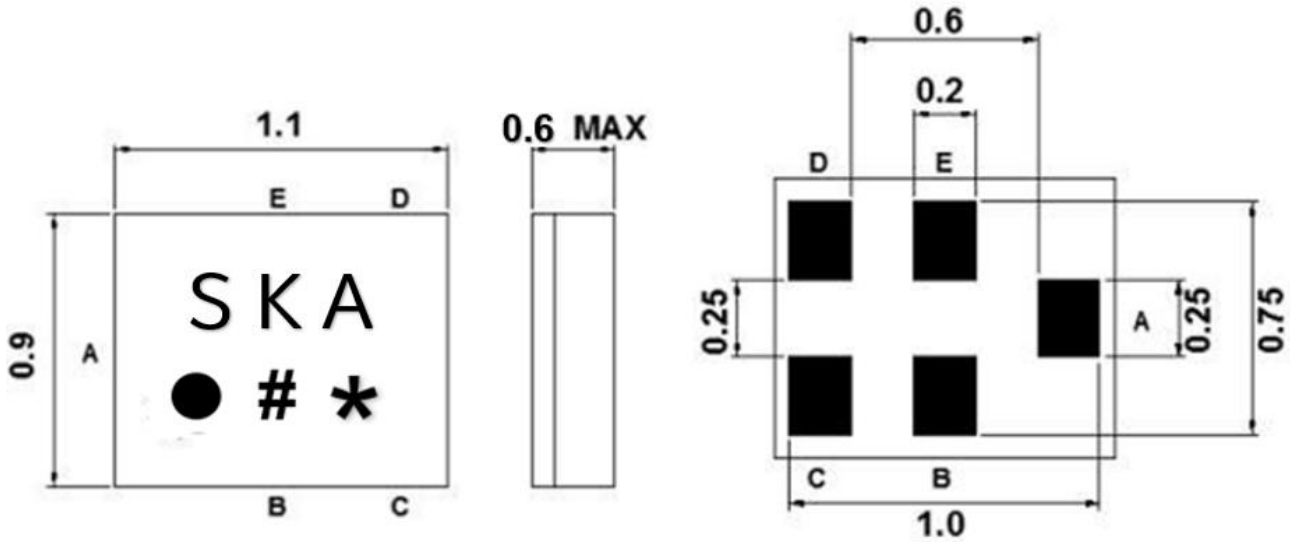
www.sappland.com

SPST40SU03C (Band40 Tx Filter /Unbalanced/1109)

Revision Number	Date	Description
[Series]_v1.0	May-10-2021	Initial Release

- Operating temperature : -20 to +85 deg.C
- Storage temperature : -40 to +85 deg.C
- Input Power : +28 dBm 5000h 55 deg.C
- D.C. Volatage between the terminals : 3V (25+/-2 deg.C)

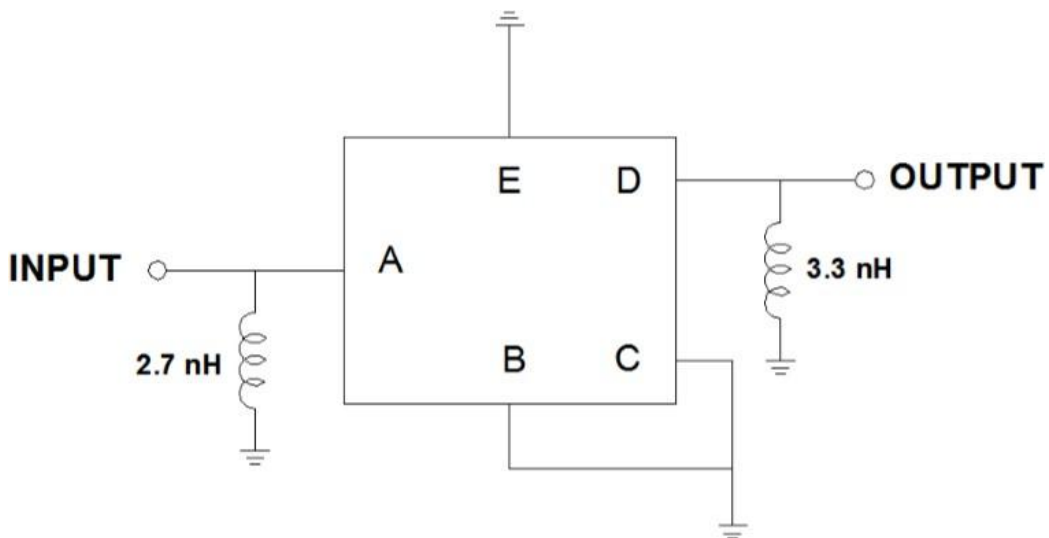
Package Dimensions (PKG Size: 1.1×0.9×0.6mm)



Marking Descriptions		
Marking	S K A	Model Number
	# *	Date Code

Pin Description	
B C E	GROUND
A	Input
D	Output

Testing Environment

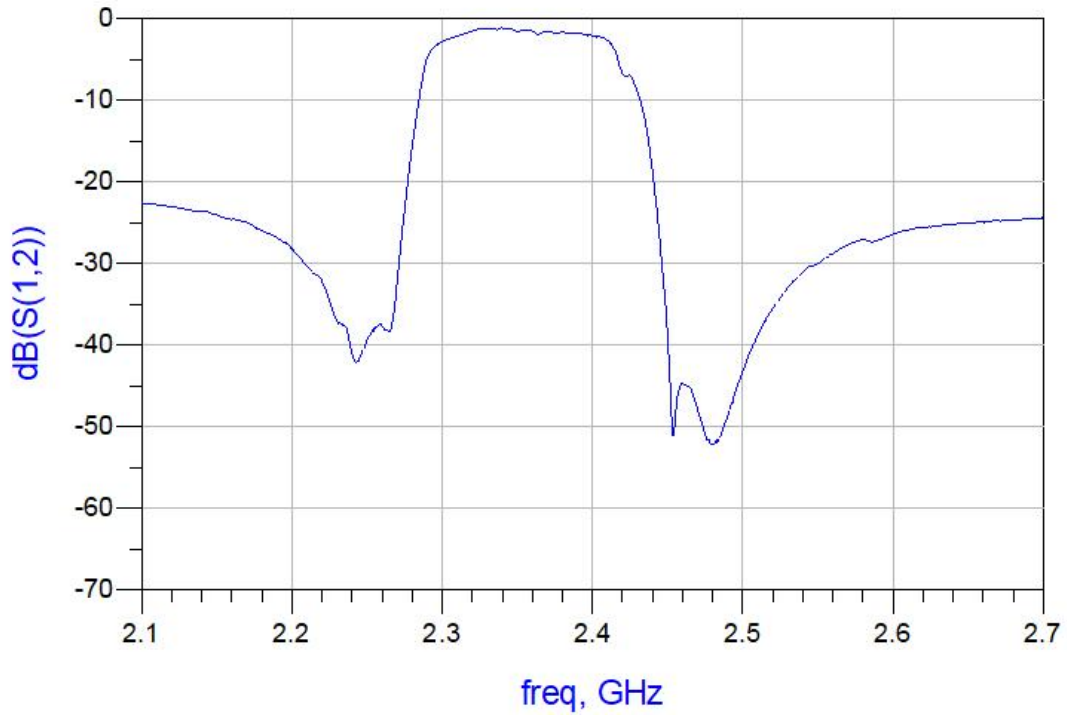


Electrical Characteristic

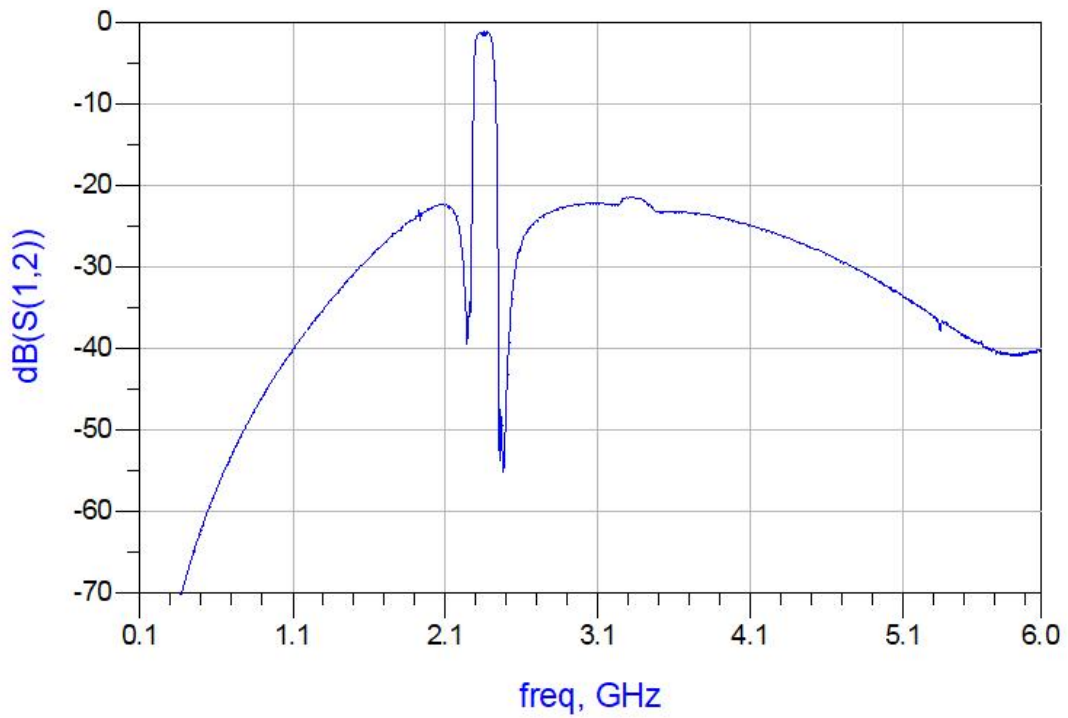
Item		Condition MHz			Characteristic			Unit
					Min.	Typ.*	Max.	
	fc	—				2350		MHz
	Insertion loss	2300.0	...	2400.0		2.0	3.0	dB
	Amplitude ripple	2300.0	...	2400.0		0.8	2.1	dB _{P-P}
	Absolute attenuation	10.0	...	1680.0	22	26		dB
		1845.0	...	1880.0	20	23		dB
		2110.0	...	2170.0	20	22		dB
		2215.0	...	2240.0	25	30		dB
		2450.0	...	2500.0	25	37		dB
		2500.0	...	6000.0	20	22		dB
VSWR	TX	2300.0	...	2400.0		1.4	2.0	
	RX	2300.0	...	2400.0		1.3	2.0	

*: Typical value at 25±2deg.C

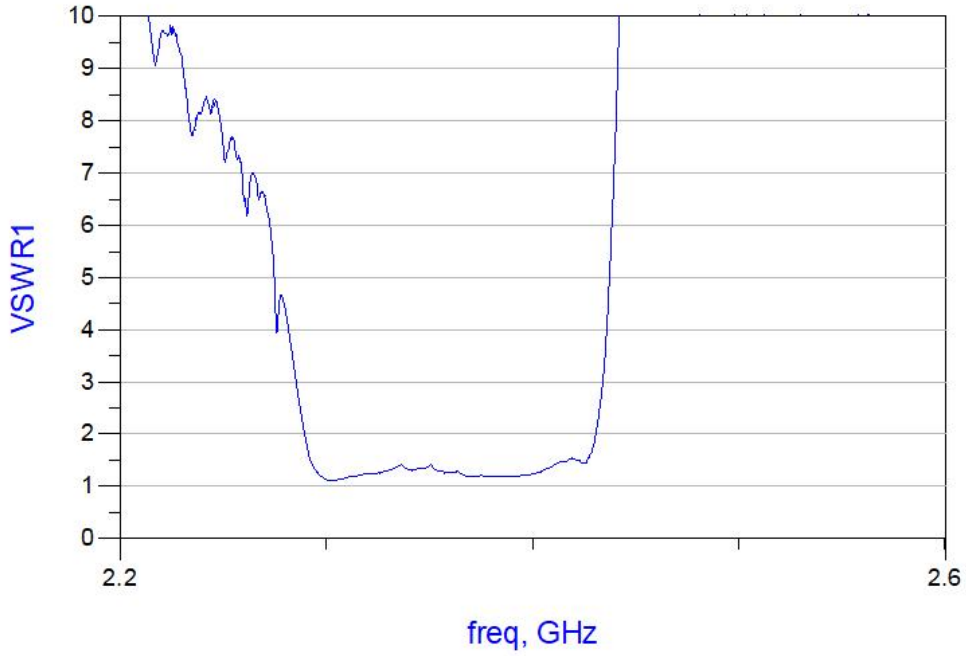
Frequency response



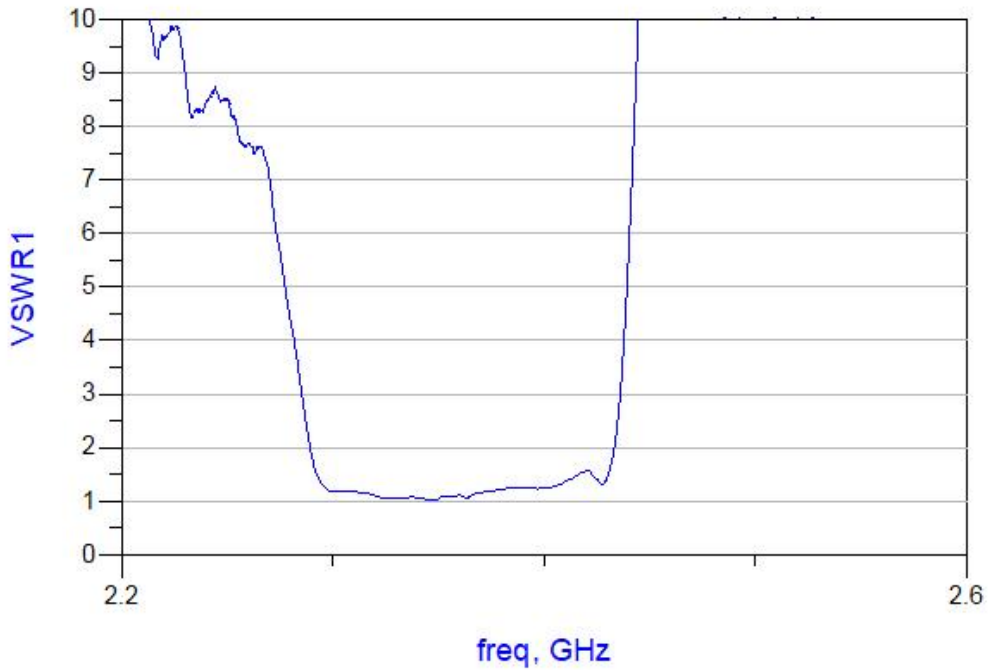
Wide span



VSWR

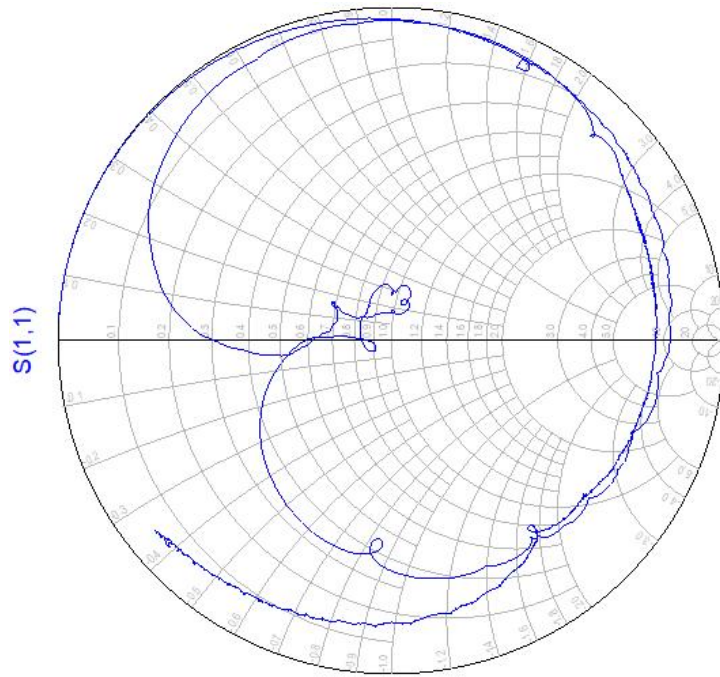


S11



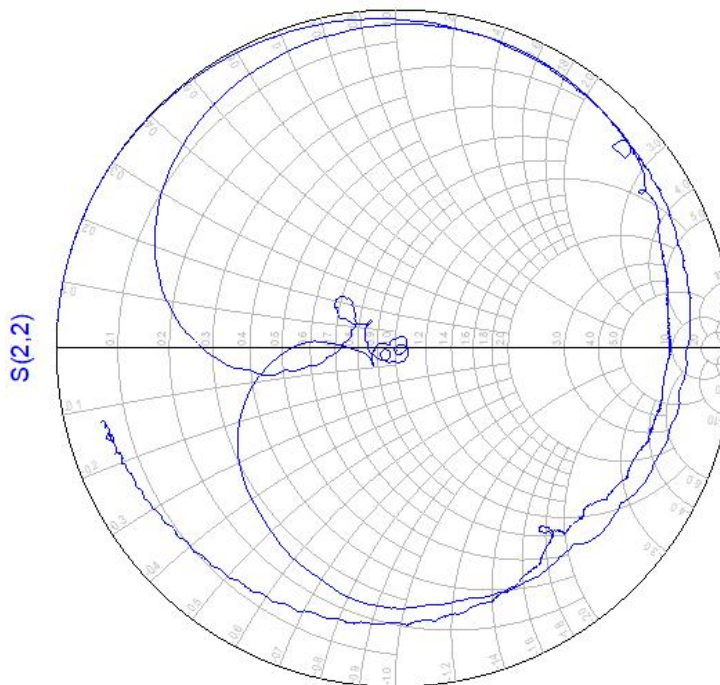
S22

Smith Chart



freq (100.0MHz to 6.000GHz)

S11



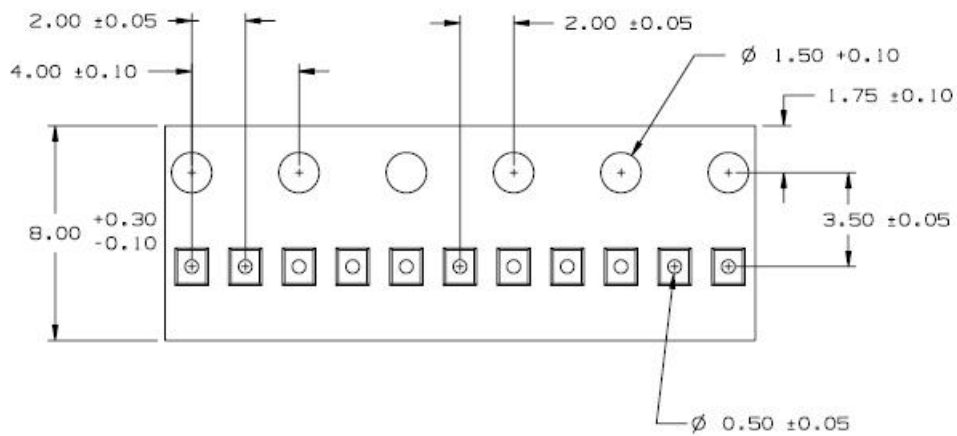
freq (100.0MHz to 6.000GHz)

S22

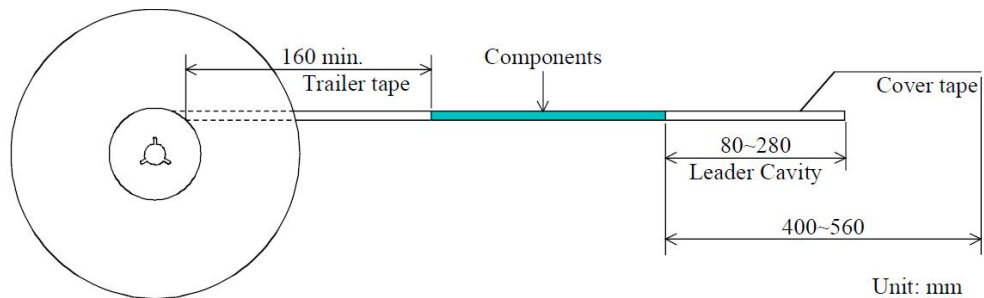
Tape and Reel

Reeling Qty: 5000 pcs/reel

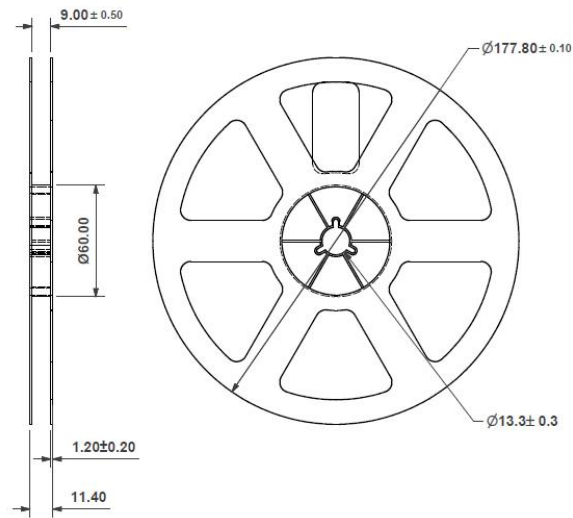
Carrier Tape



Tape



Reel



Important Notice

PLEASE READ THIS NOTICE BEFORE USING OUR PRODUCTS.

1. All specifications are based on the test circuit
2. In production, devices will be tested at room temperature to a guardbanded specification to ensure electrical compliance over temperature
3. Electrical margin has been built into the design to account for the variations due to temperature drift and manufacturing tolerances
4. This is the optimum impedance in order to achieve the performance shown