

REV.	ECN NUMBER	DESCRIPTION	DATE	DRAWN	CHECKED	APPROVED
A	PDR19121	NEW RELEASE	09/05/19	ADDY	SEAN	SEAN

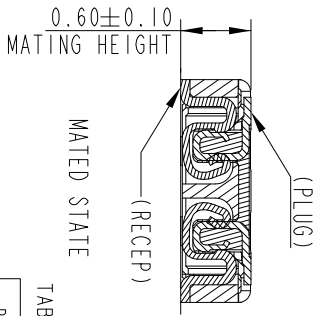
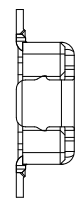
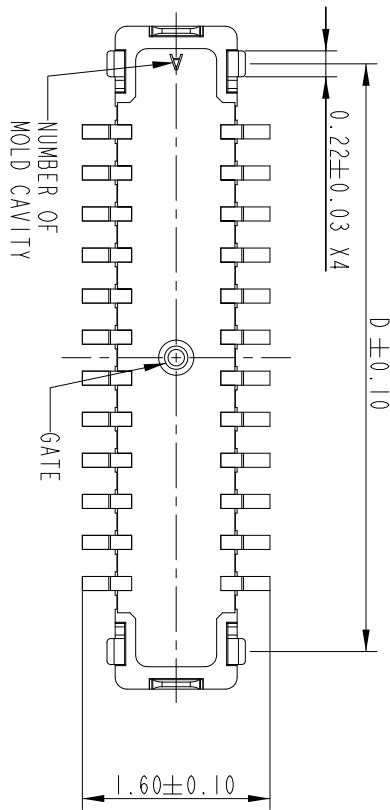
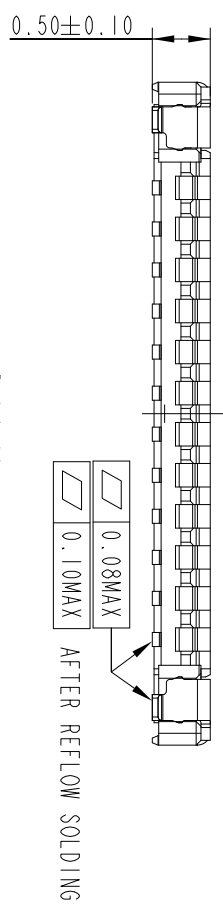
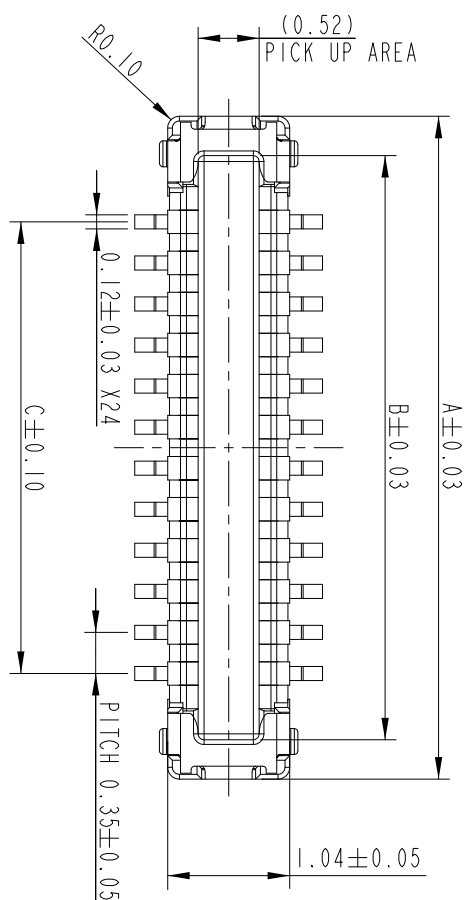


TABLE A

PIN	PART NO.	A	B	C	D
16+2	818016601	4.25	3.58	2.45	3.61
24+2	818015985	5.65	4.98	3.85	5.01
50+2	818016773	10.20	9.53	8.40	9.56

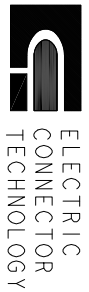
3.8 SALT WATER SPRAY: TEMPERATURE 35±2°C  
 DENSITY OF SALT WATER 5±1%  
 STORAGE TEMPERATURE RANGE -40° C to +85° C,  
 0 to 90 % RH (Relative humidity),  
 DURATION: 48±2 HOUR

- 3.5 Insulation Resistance  
 Initial: 1000 MΩ Minimum  
 After test: 1000 MΩ Minimum
- 3.6 Dielectric Withstanding Voltage  
 NO EVIDENCE OF BREAKDOWN IN AC 250 V, 1 MINUTE
- 3.7 MATING-UNMATING FORCE:  
 MATING FORCE:  
 Before and after durability: 40N MAX  
 UNMATING FORCE:  
 16 and 24pin:  
 Before durability: 0.4N/Pin MIN  
 After durability: 0.35N/Pin MIN  
 50pin:  
 Before durability: 0.35N/Pin MIN  
 After durability: 0.30N/Pin MIN  
 Durability: 30 times

GENERAL TOLERANCE SCALE: 16.00  
 UNIT: MM  
 CHECK SEAN ZHANG DATE 05 Sept-19  
 APPROVE SEAN ZHANG DATE 05 Sept-19

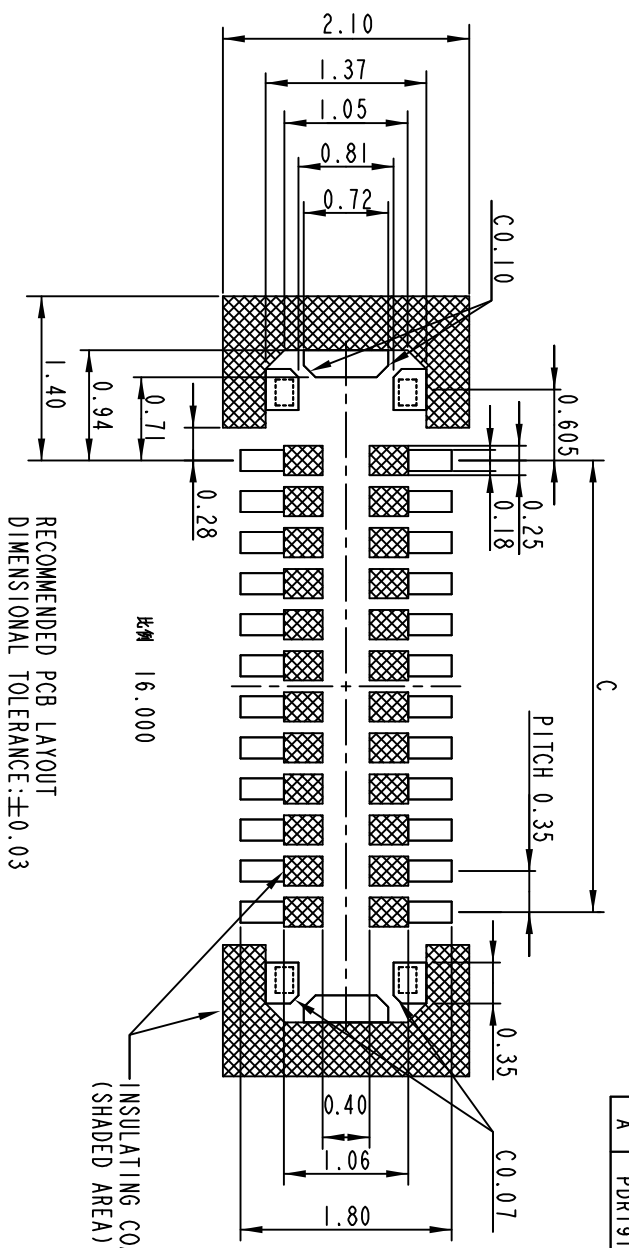
DWG. NO. 600-15985-01  
 PARTS NO. (INTENDED USE)  
 SEE TABLE A

TITLE CUSTOMER DRAWING  
 BTB CONN P0.35 H0.60 PLUG  
 REV. A



A B C D E F  
 1 2 3 4

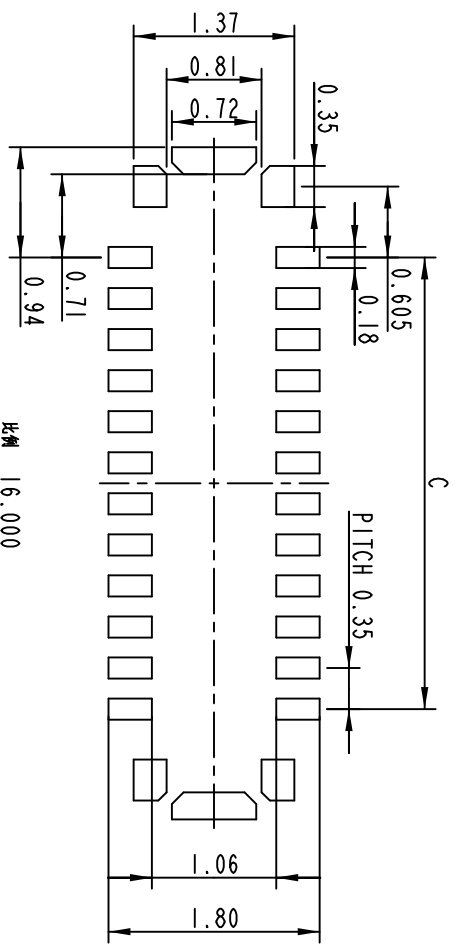
REV.	ECN NUMBER	DESCRIPTION	DATE	DRAWN	CHECKED	APPROVED
A	PDR19121	NEW RELEASE	09/05/19	ADDY	SEAN	SEAN



RECOMMENDED PCB LAYOUT  
DIMENSIONAL TOLERANCE: ±0.03

比例 16.000

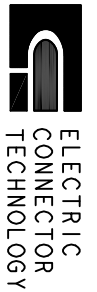
INSULATING COATING  
(SHADED AREA)



RECOMMEND METAL MASK DIMENSION: 1:1  
DIMENSIONAL TOLERANCE: ±0.03

比例 16.000

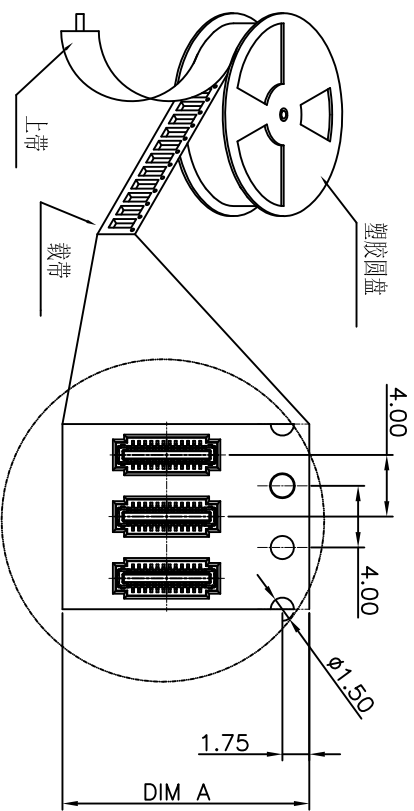
- NOTES:
- : PAD AREA
  - ▨ : VIA AND TRACE KEEPOUT AREA
  - ▩ : OTHER COMPONENT KEEPOUT AREA
  - - - : ENTITY PIN AREA



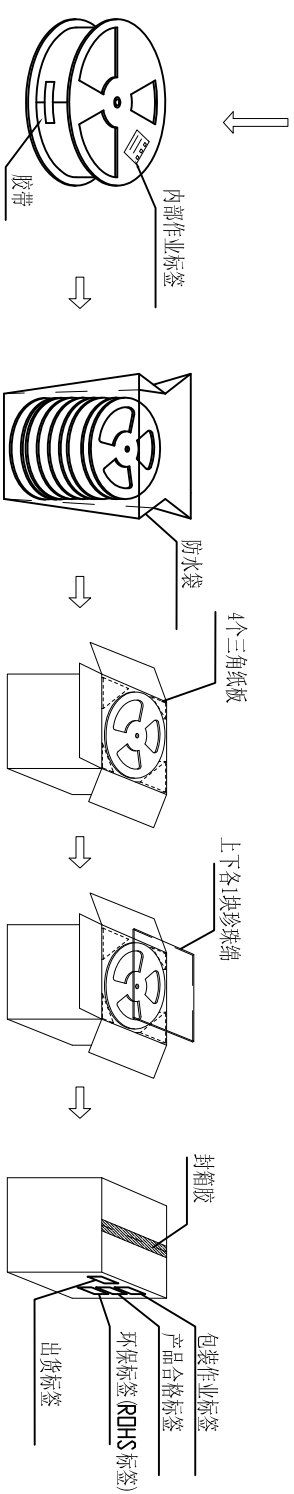
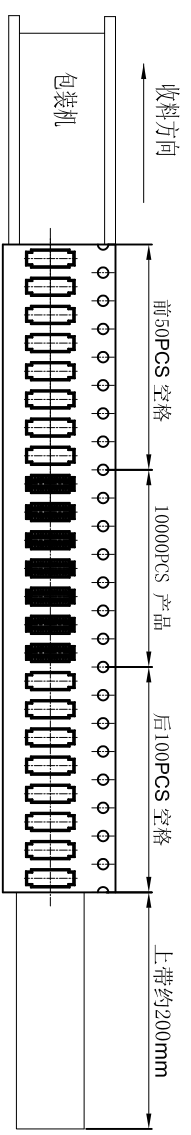
GENERAL TOLERANCE		SCALE:		DRAWN		DATE	
X. ±0.40		10.000		ADDY MA	05 Sept-19	DWG. NO.	
X. ±0.25	X. ° ±3.0°	UNIT:		CHECK	SEAN ZHANG	DATE	600-15985-01
.XX ±0.15	.X° ±2.0°	MM		APPROVE	SEAN ZHANG	DATE	PARTS NO. (INTENDED USE)
.XXX ±0.10	.XX° ±1.0°	SIZE: A4				DATE	SEE TABLE A

TITLE		REV.
CUSTOMER DRAWING		A
BTB CONN P0.35 H0.60 PLUG		SHEET
		2 / 3

REV.	ECN NUMBER	DESCRIPTION	DATE	DRAWN	CHECKD	APPROVED
A	PDR19121	NEW RELEASE	09/05/19'	ADDY	SEAN	SEAN



出料方向  
PULL OUT DIRECTION



- 管制重点:
1. 包装时产品轻拿轻放, 避免产品变形.
  2. 整盘包装好后, 检查是否有漏装, 产品的放置方向是否正确.
  3. 包装载带断裂时不可用人工连接.
  4. 检查是否有产品被压死, 检查整盘层数是否正确.
  5. 若有未装满之零数箱, 须以缓冲物塞满.
  6. 防水袋封口须密封.
  7. 整箱封好后, 检查标签是否贴好, 干净, 字迹清晰, 标签内容是否正确, 完善.
  8. 外纸箱: (840000602)内尺寸L340\*W340\*H1315mm

TABLE B

PN NO.	产品料号	载带料号	载带宽度 DIM A	塑胶圆盘	上带	PCS/盘 包装容量 (PACKING CAPACITY)	盘/外箱	PCS/外箱
50	818016773	7316773001	24.0	604050030	840000303	10000	10	100000
24	818015985	7315985001	16.0	604050030	840000302	10000	14	140000
16	818016601	7316601001	16.0	604050030	840000302	10000	14	140000

4 3 2 1 A B C D E F

ELECTRIC CONNECTOR TECHNOLOGY

GENERAL TOLERANCE		SCALE:		DRAWN		DWG. NO.		TITLE		REV.
>30-60±0.15	X.° ±3.0°	10.000		ADDY MA	DATE	600-15985-01		CUSTOMER DRAWING		A
>15-30±0.10	.X° ±2.0°	UNIT:	MM	SEAN ZHANG	DATE	PARTS NO. (INTENDED USE)		BTB CONN P0.35 H0.60 PLUG		SHEET
>6-15±0.08	.XX° ±1.0°	SIZE:	A4	SEAN ZHANG	DATE	SEE TABLE B		REV. 3/3		
>0-6±0.05										