

mechanical connectors for contactor combinations, 20 mm contactor clearance, for 10 combinations, (2 connectors for each combination), for contactors 3RT233



product brand name	SIRIUS
product category	Mechanical interlocks
product designation	Mechanical connectors
design of the product	for contactor assemblies size S2/S2, 4-pole for reversing, contactor clearance 20 mm
Substance Prohibitance (Date)	10/01/2014

Approvals Certificates

General Product Approval



[Confirmation](#)



EG-Konf.



UL



Test Certificates

Marine / Shipping

[Type Test Certificates/Test Report](#)



ABS



BUREAU VERITAS



DNV



URS



PRS

Marine / Shipping

other



RMRS

[Confirmation](#)

Further information

Siemens has decided to exit the Russian market (see here).
<https://press.siemens.com/global/en/pressrelease/siemens-wind-down-russian-business>

Siemens is working on the renewal of the current EAC certificates.

Please contact your local Siemens office on the status of validity of the EAC certification if you intend to import or offer to supply these products to an EAC relevant market (other than the sanctioned EAEU member states Russia or Belarus).

Information on the packaging

<https://support.industry.siemens.com/cs/ww/en/view/109813875>

Information- and Downloadcenter (Catalogs, Brochures,...)

<https://www.siemens.com/ic10>

Industry Mall (Online ordering system)

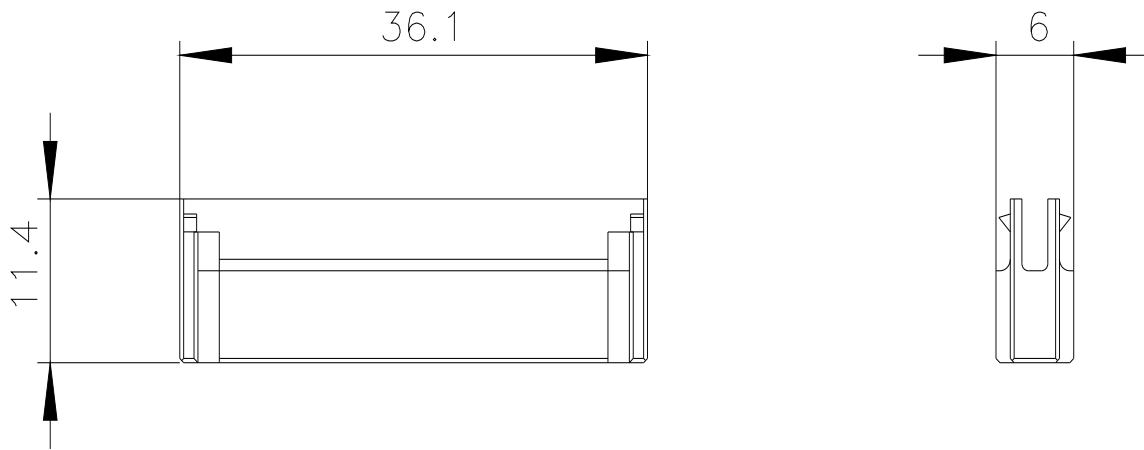
<https://mall.industry.siemens.com/mall/en/en/Catalog/product?mlfb=3RA2932-2G>

Cax online generator

<http://support.automation.siemens.com/WW/CAXorder/default.aspx?lang=en&mlfb=3RA2932-2G>

Service&Support (Manuals, Certificates, Characteristics, FAQs,...)

<https://support.industry.siemens.com/cs/ww/en/ps/3RA2932-2G>



last modified:

1/10/2024 