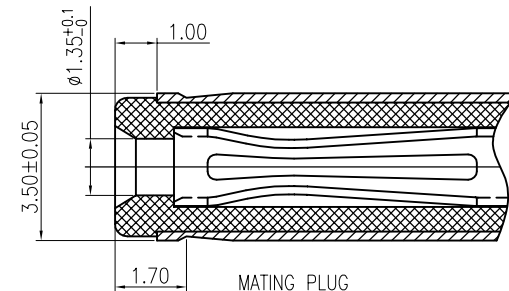
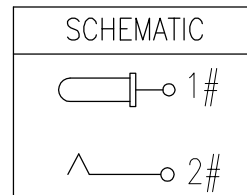
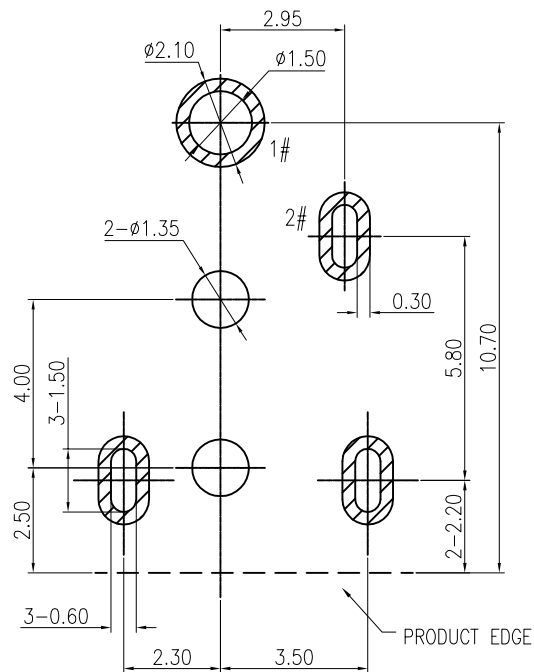
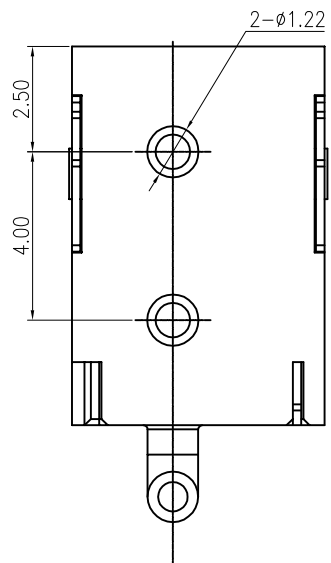


修订 REV NO	标记 MARK	修改摘要 REVISION DESCRIPTION	签名 SIGNATURE	日期 DATE
		NEW DWG		2016-03-12



MATING PLUG
P/N.: DP350135-0120-6H

NO.	DESCRIPTION	QTY	MATERIAL	PLATING
D	PIN	1	Hb159	Gold flash/Ni
C	CURVE PIECE	1	SUS 304	Ni
B	SPRING	1	C5191	Sn/Ni
A	HOUSING	1	PA46 BLACK	

SPECIFICATION

- 1.Rating : DC 12V, 3.0A;
- 2.Contact resistance: 30mΩ MAX;
- 3.Insulation resistance: 100MΩ MIN.;
- 4.Withstand voltage: 500VAC ;
- 5.Insertion and extraction force: 3-20N
- 6.life test: 5,000 cycles.

RECOMMENDED PCB LAYOUT
TOP VIEW TOLERANCE:±0.05



深圳市华德共创科技有限公司
Shenzhen Huade co-create Technology Co.,LTD
电话 : 0755-27111216 传真 : 0755-29940187

-TOLERANCES- UNLESS OTHERWISE SPECIFIED 公差参数表				TITLE: DC Power Jack 35135 大电流5A, 卧 产品名称: 式, 高可靠 CL=2.3			
X.X	±0.30	X.X*	±3°	APPD: 核准:	PART NO: 产品编号: DC350135-0832-2H		
X.XX	±0.20	X.XX*	±2°	CHECK: 校对: 王建业	DATE	SCALE	UNIT
X.XXX	±0.10	X.XXX*	±1°	DRAW: 绘图: 黄艳兰	2016-03-12	1:1	mm
					CODE NUMBER	A001	