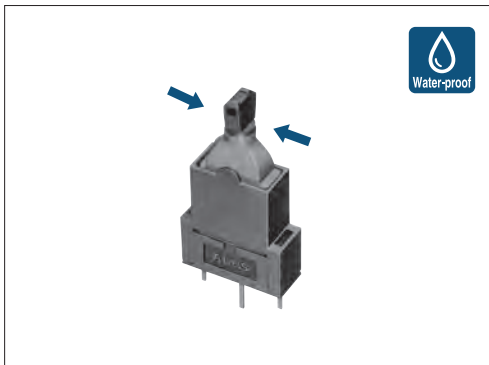


Water-proof two-way detection type lever switch with 40° total travel in both directions



Typical Specifications

Items		Specifications
Rating (max.)/(min.) (Resistive load)		0.1A 12V DC / 100μA 5V DC
Contact resistance (Initial / After operating life)		500mΩ max. / 1Ω max.
Operating force		2N max.
Lever deviated angle		40°
Operating life	Without load	100,000cycles
	With load	100,000cycles (0.1A 12V DC)

Product Line

Poles	Positions	Changeover timing	Terminal type	Minimum order unit (pcs)		Product No.
				Japan	Export	
1	2	Non shorting	For PC board	600	2,400	<b>SSCN110101</b>

Note

This unit cannot be used in water (IP67 rating, except for terminal).

Packing Specifications

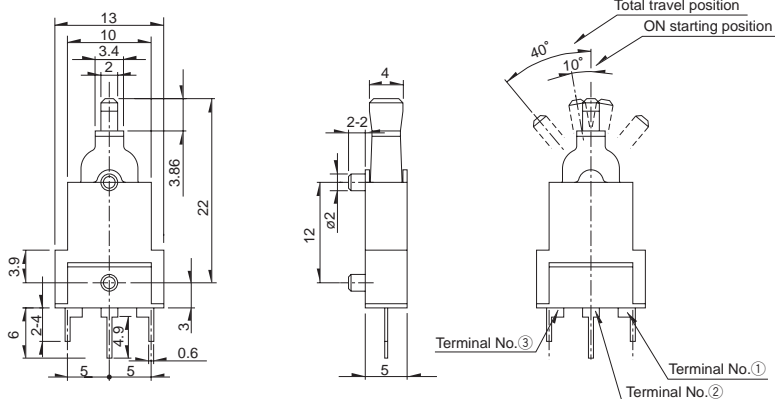
Tray

Number of packages (pcs.)		Export package measurements (mm)
1 case /Japan	1 case /export packing	
600	2,400	540×360×270

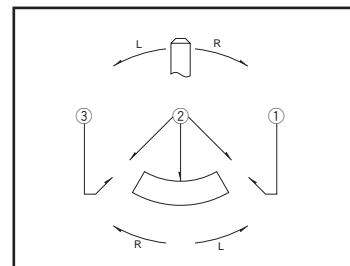
Dimensions


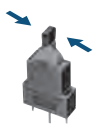






Unit:mm

Style



Circuit Diagram



Series		Water-proof Type		Fast Switching Type	
		SPVQA	SSCN	SPVQ9	SPVQC
Photo					
Operation type		Two-way			
Dimensions (mm)	W	15.2	13	15.4	15.4
	D	6.4	5	8.4	7.4
	H	7.95	15	7.5	
Operating temperature range		-40°C to +85°C			
Automotive use		●	●	●	●
Life cycle (availability)					
Poles / Positions		1/1 1/2	1/2	2/2	
Rating (max.) (Resistive load)		0.1A 12V DC		50mA 26V DC	50mA 18V DC
Rating (min.) (Resistive load)		50μA 5V DC	100μA 5V DC	50μA 5V DC	
Durability	Operating life without load	300,000cycles 1Ω max.	100,000cycles 1Ω max.	300,000cycles 200mΩ max.	—
	Operating life with load Rating (max.) (Resistive load)	300,000cycles 1Ω max.	100,000cycles 1Ω max.	300,000cycles 200mΩ max.	
Electrical performance	Initial contact resistance	500mΩ max.		75mΩ max.	
	Insulation resistance	100MΩ min. 500V DC			100MΩ min. 250V DC
	Voltage proof	500V AC for 1minute			250V AC for 1minute
Mechanical performance	Terminal strength	3N for 1minute			
	Actuator strength	20N	10N	20N	
Environmental performance	Cold	-40°C 500h			
	Dry heat	85°C 500h			
	Damp heat	60°C, 90 to 95% RH 500h			
Operation force		1±0.5N	2N max.	1±0.5N	
Page		62	65	66	67

Detector Switches Soldering Conditions	68
Detector Switches Cautions	69

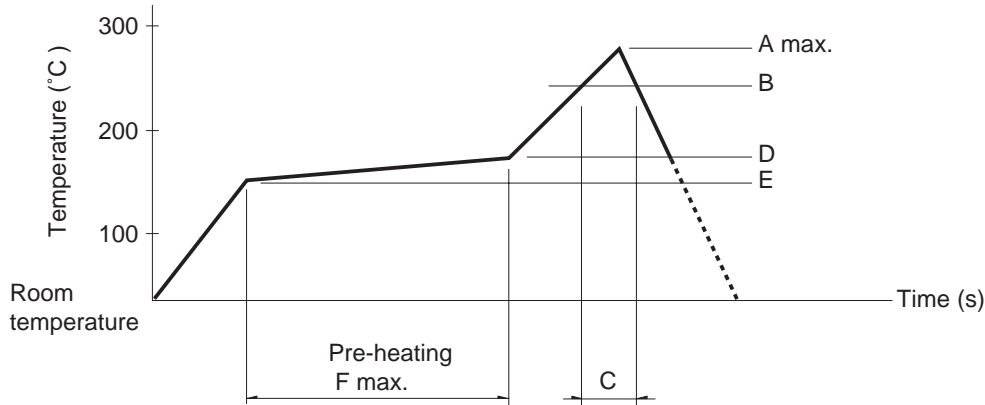
**Note**

● Indicates applicability to all products in the series.

# Detector Switches / Soldering Conditions

## Example of Reflow Soldering Condition

1. Heating method: Double heating method with infrared heater.
2. Temperature measurement: Thermocouple  $\phi 0.1$  to  $0.2$  CA (K) or CC (T) at soldering portion (copper foil surface).  
A heat resisting tape should be used for fixed measurement.
3. Temperature profile



Series (Reflow type)	A (°C) 3s max.	B (°C)	C (s)	D (°C)	E (°C)	F (s)
<b>SPPB</b>	250	230	40	180	150	120
<b>SPVE</b>						
<b>SPVL</b>						
<b>SPVM</b>						
<b>SPVN</b>						
<b>SPVR</b>	260	230	40	180	150	120
<b>SPVS</b>						
<b>SPVT</b>						
<b>SSCM</b>	250	230	40	180	150	120
<b>SSCQ</b>						
<b>SPVQC</b>	250	230	40	180	150	120

### Notes

1. The condition mentioned above is the temperature on the mounting surface of a PC board. There are cases where the PC board's temperature greatly differs from that of the switch, surface depending on the PC board's material, size, thickness, etc.  
The above-stated conditions shall also apply to switch surface temperatures.
2. Soldering conditions differ depending on reflow soldering machines.  
Prior verification of soldering condition is highly recommended.

### Reference for Hand Soldering

Series	Soldering temperature	Soldering time
<b>SPVS, SPVN, SPVT, SPVM, SPVR, SPVE, SSCQ, SSCM, SPVL, SSCT, SPVQC</b>	350±5°C	3s max.
<b>SPVQ3, SPVQ6, SPVQ7, SPVQ8, SPVQ9, SSCN, SPVQA</b>	300±10°C	3 + 1 / 0s
<b>SPPB (Reflow)</b>	300±5°C	5s max.
<b>SSCF, SPPB (For Lead, Dip)</b>	350±10°C	3 + 1 / 0s

### Reference for Dip Soldering

(For PC board terminal types)

Series	Items		Dip soldering	
	Preheating temperature	Preheating time	Soldering temperature	Duration of immersion
<b>SSCT, SPVQ3, SPVQ6, SPVQ7, SPVQ8, SPVQ9, SPVQA</b>	100±10°C	60s max.	260±5°C	5±1s
<b>SPPW8, SPPB</b>	100°C max.	60s max.	255±5°C	5±1s
<b>SSCF</b>	—		260±5°C	5±1s