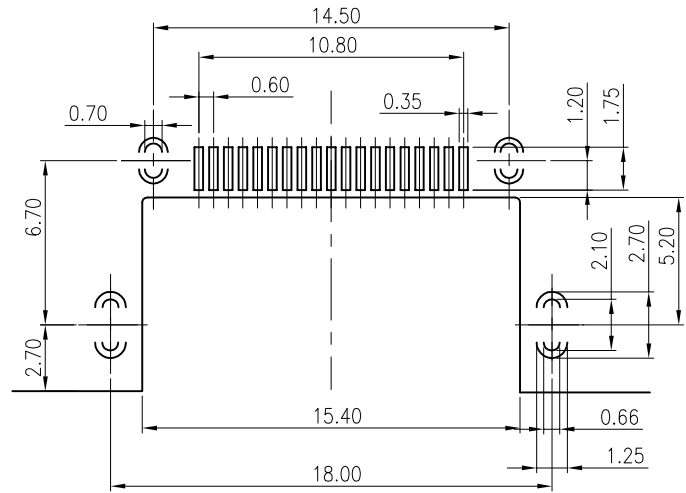
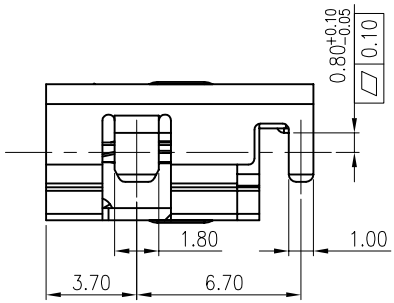
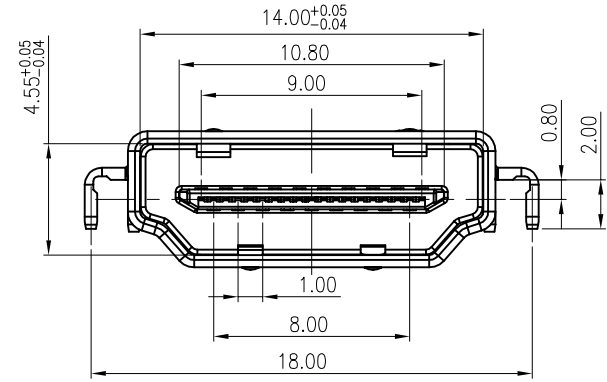
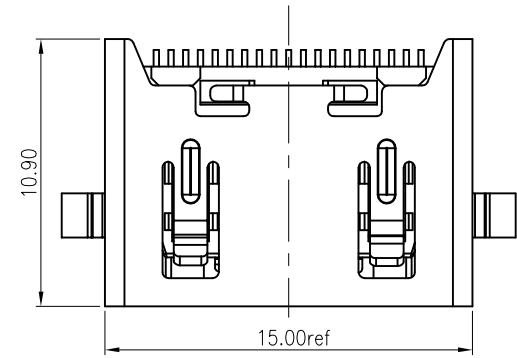


修订 REV NO	标记 MARK	修改摘要 REVISION DESCRIPTION	签名 SIGNATURE	日期 DATE
		NEW DWG		2016-03-12

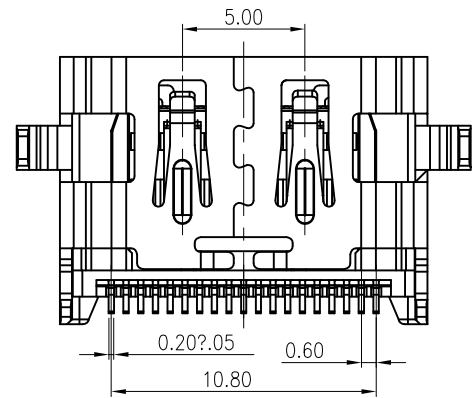
**SPECIFICATION**

1. Electrical characteristics  
 Contact Current Rating: 0.5 A  
 Dielectric Withstanding Voltage: 300V AC  
 Insulation Resistance: a. Mate 100M  
                                   b. Unmate 10M  
 Contact Resistance: 30mΩ MAX  
 Temperature Range: -20°C to +85°C

2. material:  
 HOUSING: THERMOPLASTICS HIGH TEMP LCP+GLASS  
           FIBER BLACK COLOR, UL94V-0  
 CONTACT: Copper Alloy , T=0.20MM  
 SHELL: Copper Alloy (SPCC) , T=0.5MM



RECOMMENDED PCB LAYOUT (TOP VIEW)  
 (THICKNESS=1.60±0.05mm)



		深圳市华德共创科技有限公司 Shenzhen Huade co-create Technology Co., LTD 电话: 0755-27111216 传真: 0755-29940187						
		TITLE: HDMI 母座贴片式沉板居中镀 产品名称: 镍 CL-0.8						
TOLERANCES UNLESS OTHERWISE SPECIFIED 公差参数表				PART NO: 产品编号: HDMI-GD-116PWB				
X.X	±0.30	X.X*	±3°	APPD: 核准:	DATE	SCALE	UNIT	CODE NUMBER
X.XX	±0.20	X.XX*	±2°	CHECK: 校对: 王建业	2016-03-12	1:1	mm	A001
X.XXX	±0.10	X.XXX*	±1°	DRAW: 绘图: 黄艳兰				