

REV	MODIFICATION	DRAW	DATE
A.00	新版发行		20201125

NOTE:

1. MATERIAL:

- 1.1 HOUSING: LCP, UL 94V-0, COLOR- BLUE (PANTONE 300C) OR BLACK
- 1.2 BOTTOM COVER: LCP, UL 94V-0, COLOR- BLUE (PANTONE 300C) OR BLACK
- 1.3 CONTACT: C7025(T=0.12mm);C2680(T=0.15mm)
- 1.4 SOCKET SHELL: SUS304-1/2H(T=0.3mm)
- 1.5 FRONT MIDDLE SHELL:SUS304-1/2H(T=0.25mm)
- 1.6 REAR SHELL:SUS304-1/2H(T=0.2mm)
- 1.7 MID PLATE:SUS301-1/2H(T=0.15mm)
- 1.8 PCB: FR4

2. ELECTRICAL CHARACTERISTICS:

- 2.1 CONTACT RESISTANCE: 30mΩ Max FOR INITIAL. 10mΩ CHANGE AFTER TEST. MEASURE AT 20mV, 100mA.
- 2.2 CONTACT CURRENT RATING: 5A FOR COLLECTIVELY POWER SUPPLY PIN(PIN1, A4, A9, A12, B1, B4, B9, B12); 1.25A FOR VCONN PIN; 0.25A FOR OTHER SIGNAL PIN.
- 2.3 DIELECTRIC WITHSTANDING VOLTAGE: 100V AC R.M.S.
- 2.4 INSULATION RESISTANCE 100MΩ Min
- 2.5 OPERATING TEMPERATURE: -40° C ~ 85° C

3. MECHANICAL CHARACTERISTICS:

- 3.1 MATING FORCE: 5~20 N.
- 3.2 UNMATED FORCE: 8~20N INITIAL TEST; 6~20N DURABILITY AFTER TEST
- 3.3 DURABILITY: 10,000 CYCLES

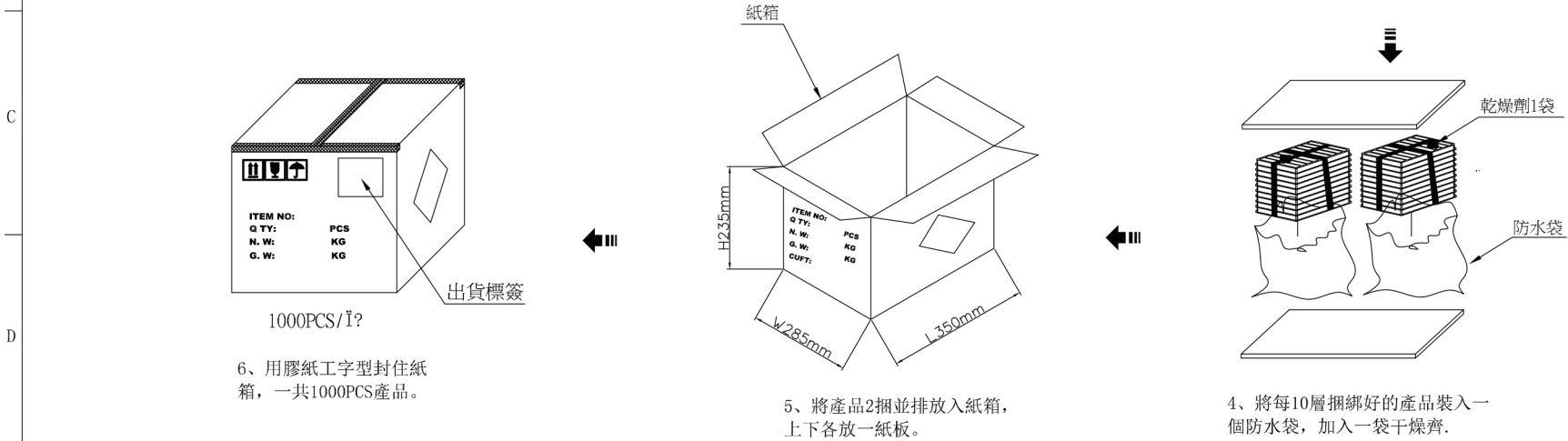
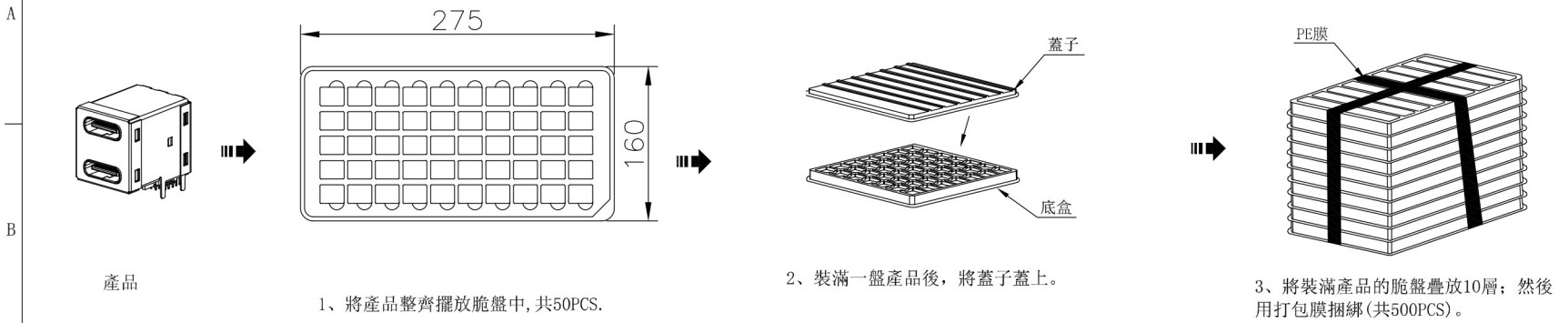
4. PLATING

- 4.1 TERMINAL CONTACT: 1u" GOLD PLATING ON CONTACT AREA, ALL OVER 50u" Min NICKEL AND 1u" Min Matte GOLD ALL OVER 50u" Min NICKEL ON SOLDER AREA
- 4.2 SHELL: 50u" Min. NICKEL ALL OVER.
- 4.3 MID PLATE: CLEAN

圖號: (DRAWNO)	LINEAR	ANGLE	深圳市连欣科技有限公司							
	.X	0.25							X.	5°
	.XX	0.20							.X	2°
.XXX 0.10 .XX 1°			產品名稱: (PARTNAME) TYPE C 16PIN 板上 双层16+16							
產品型號: (PARTNO) XUBF-0336-16B04			客戶料號: (CLIENTNO)							
核對: APPRO. BY	廠內料號: XXX		客戶料號: (CLIENTNO)			數量: (CNUM)				
設計: DESIGN. BY										
繪圖: DAWG. BY		單位: UNIT:	mm	比例: SCALE:	N/A	張數: PAPERS:	1/3			
						版本: REV:	A.00			



REV	MODIFICATION	DRAW	DATE
A.00	新版发行		20201125



作業步驟:

- 1、將產品整齊放入脆盤中,共50PCS,再蓋上蓋子。
- 2、將裝滿50PCS產品的脆盤疊放10盤,用打包膜捆綁。
- 3、將捆綁好的產品放入防水袋中,再放入1袋干燥劑,膠帶封口(共500PCS)。
- 4、在紙箱底先放一個紙板,然後將捆好的產品並排放入紙箱,頂層再放一個紙板。
- 5、合上紙箱後,再用膠帶工字型將紙箱封口,整箱共1000PCS產品。
- 6、貼上出貨標籤,如有零數箱需做標識。
- 7、紙箱材質尺寸: K=K 350\*285\*235mm (外徑)  
脆盤材質尺寸: PS防靜電 275\*160\*20mm

圖號: (DRAWNO)		LINEAR	ANGLE	深圳市连欣科技有限公司			
		. X 0.25	. X 5°				
		. XX 0.20	. X 2°				
		. XXX 0.10	. XX 1°				
產品名稱: (PARTNAME) TYPE C 16PIN 板上 双层16+16				產品型號: (PARTNO) XUBF-0336-16B04			
核對: APPRO. BY	廠內料號:			客戶料號: (CLIENTNO)		數量: (CNLM)	
設計: DESIGN. BY	XXX						
繪圖: DRAW. BY	單位: UNIT:		mm	比例: SCALE:	N/A	張數: PAPERS:	3/3
				版本: REV:	A.00		