



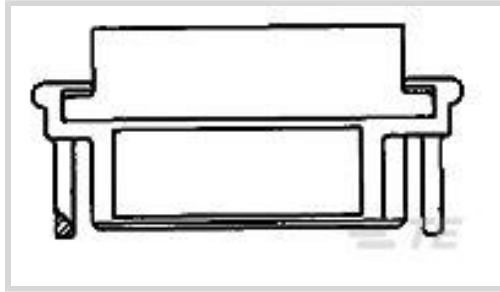
AMP | Junior Timer

TE Internal #: 827603-1

Housing for Female Terminals, Wire-to-Board, 12 Position, 5 mm [.197 in] Centerline, Black, Wire & Cable, Power, Junior Timer

[View on TE.com >](#)

Connectors > Automotive Connectors > Automotive Housings > Timer Connector Housing



Connector System: **Wire-to-Board**

Number of Positions: **12**

Connector & Housing Type: **Housing for Female Terminals**

Centerline (Pitch): **5 mm [.197 in]**

Sealable: **No**

[All Timer Connector Housing \(515\)](#)

Features

Product Type Features

Mixed & Hybrid Connector	No
Connector Shape	Rectangular
Connector System	Wire-to-Board
Connector & Housing Type	Housing for Female Terminals
Sealable	No
Connector & Contact Terminates To	Wire & Cable
Primary Locking Feature	On the Terminal

Configuration Features

Number of Positions	12
Number of Rows	2

Electrical Characteristics

Nominal Voltage Architecture	12 V, 24 V
------------------------------	------------

Body Features

Primary Product Color	Black
Connector & Keying Code	Neutral

Contact Features

Contact Size	2.8mm
--------------	-------



Contact Type	Receptacle
--------------	------------

Mating Tab Width	2.8 mm[.11 in]
------------------	----------------

Contact Current Rating (Max)	30 A
------------------------------	------

Mechanical Attachment

Terminal Position Assurance	Yes
-----------------------------	-----

Strain Relief	Without
---------------	---------

Mating Alignment Type	Polarized
-----------------------	-----------

Mating Alignment	With
------------------	------

Connector Mounting Type	Cable Mount (Free-Hanging)
-------------------------	----------------------------

Housing Features

Housing Material	PA GF
------------------	-------

Centerline (Pitch)	5 mm[.197 in]
--------------------	---------------

Dimensions

Connector Height	22 mm[.866 in]
------------------	----------------

Product Width	16.3 mm[.642 in]
---------------	------------------

Product Length	48 mm[1.89 in]
----------------	----------------

Row-to-Row Spacing	5 mm[.197 in]
--------------------	---------------

Usage Conditions

Operating Temperature (Max)	130 °C[266 °F]
-----------------------------	----------------

Operating Temperature Range	-40 – 130 °C[-40 – 266 °F]
-----------------------------	----------------------------

Operation/Application

Circuit Application	Power
---------------------	-------

Packaging Features

Packaging Method	Bag
------------------	-----

Other

Serviceable	No
-------------	----

Connector Position Assurance Capable	No
--------------------------------------	----

Product Compliance

[For compliance documentation, visit the product page on TE.com>](#)

EU RoHS Directive 2011/65/EU	Compliant
------------------------------	-----------

EU ELV Directive 2000/53/EC	Compliant
-----------------------------	-----------

China RoHS 2 Directive MIIT Order No 32, 2016

No Restricted Materials Above Threshold

EU REACH Regulation (EC) No. 1907/2006

Current ECHA Candidate List: JUNE 2024 (241)

Candidate List Declared Against: JUNE 2024 (241)

Does not contain REACH SVHC

Halogen Content

BFR/CFR/PVC Free, but Br/Cl >900 ppm in other sources.

Solder Process Capability

Not applicable for solder process capability

Product Compliance Disclaimer

This information is provided based on reasonable inquiry of our suppliers and represents our current actual knowledge based on the information they provided. This information is subject to change. The part numbers that TE has identified as EU RoHS compliant have a maximum concentration of 0.1% by weight in homogenous materials for lead, hexavalent chromium, mercury, PBB, PBDE, DBP, BBP, DEHP, DIBP, and 0.01% for cadmium, or qualify for an exemption to these limits as defined in the Annexes of Directive 2011/65/EU (RoHS2). Finished electrical and electronic equipment products will be CE marked as required by Directive 2011/65/EU. Components may not be CE marked. Additionally, the part numbers that TE has identified as EU ELV compliant have a maximum concentration of 0.1% by weight in homogenous materials for lead, hexavalent chromium, and mercury, and 0.01% for cadmium, or qualify for an exemption to these limits as defined in the Annexes of Directive 2000/53/EC (ELV). Regarding the REACH Regulation, the information TE provides on SVHC in articles for this part number is based on the latest European Chemicals Agency (ECHA) 'Guidance on requirements for substances in articles' posted at this URL: <https://echa.europa.eu/guidance-documents/guidance-on-reach>

Compatible Parts



TE Part # CAT-T4827-T273
TIMER, RECEPTACLE AND TAB



TE Part # CAT-LMPH9507
Low & Medium Power Header



TE Part # 967578-1
MOD2/TAB3LEIS12/28P

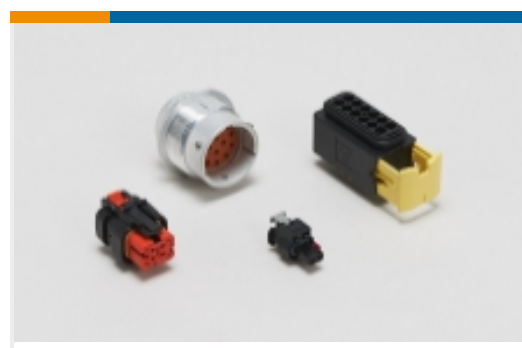


TE Part # 927458-1
12P GEH-UNTERTEIL



TE Part # 967296-1
MOD2/TAB3 ST-STE40P

Also in the Series | **Junior Timer**



Automotive Housings(55)



Automotive Terminals(15)

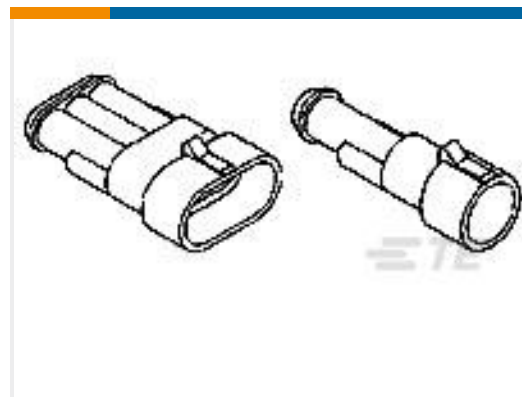
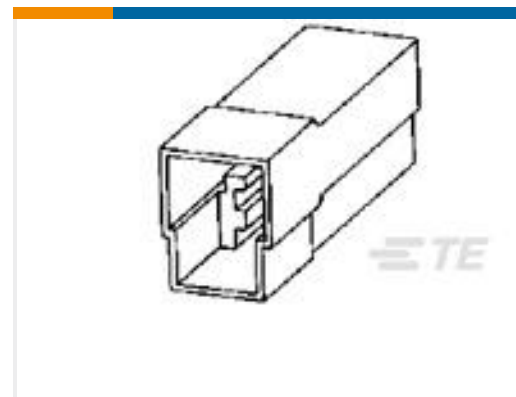
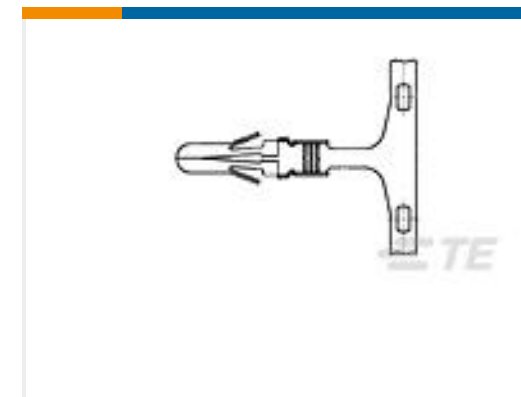
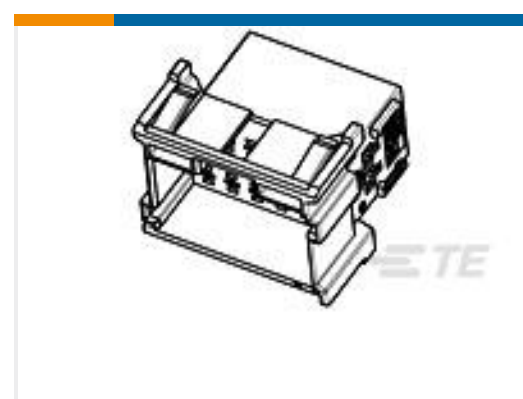
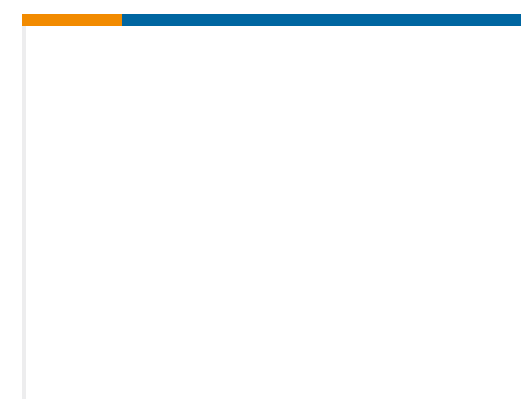


Busbars & Terminals(1)



Connector Seals & Cavity Plugs(1)

Customers Also Bought

TE Part #282108-1
AMP SUPERSEAL 1.5 SERIES 6P CATE Part #444011-1
ECONOSEAL, CONNECTOR
HOUSINGTE Part #180940
FF 250 TAB HSG 3P NYLON NATTE Part #880685-2
.140 DIA PINTE Part #828922-2
CAVITY PLUG 2,5MM STE Part #1-967629-1
FLA-STE-GEH2,8 18PTE Part #6-1419137-4
V23074A2001A403-EV-CBOXTE Part #7-1372207-2
CUTTING BLADE

Documents

Product Drawings

12P JUNIOR-TIMER GH

German

CAD Files

3D PDF

English

Customer View Model

[ENG_CVM_827603-1_C2.2d_dxf.zip](#)

English

Customer View Model

[ENG_CVM_827603-1_C2.3d_igs.zip](#)

English

Customer View Model

[ENG_CVM_827603-1_C2.3d_stp.zip](#)

English

By downloading the CAD file I accept and agree to the [Terms and Conditions](#) of use.

827603-1

Housing for Female Terminals, Wire-to-Board, 12 Position, 5 mm [.197 in] Centerline,
Black, Wire & Cable, Power, Junior Timer

