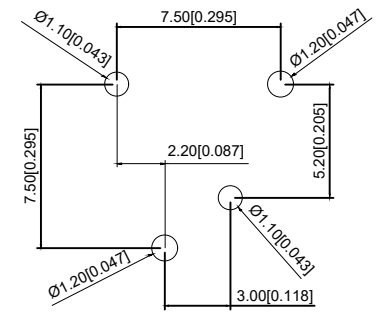
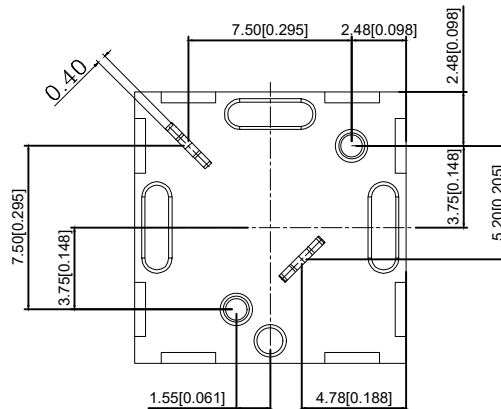
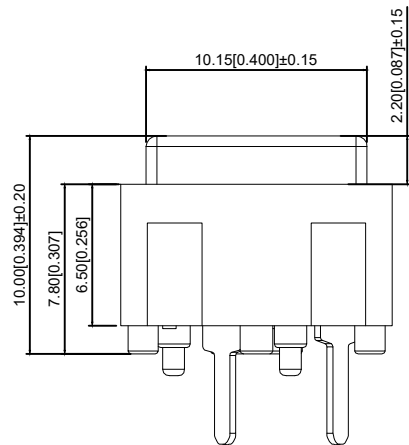


Circuit diagram



PCB SOLDER LAND DIMENSIONS



Rated electric load: AC/DC50V 25mA  
 额定电负荷: AC/DC12V 25mA  
 Withstand voltage strength: AC500V (50/60Hz foy 1minute)  
 耐压强度: AC500V (50/60Hz foy 1minute)  
 Insulation resistance: ≥ 100MΩ min(DC100v)  
 绝缘电阻: ≥ 100MΩ min(DC100V)  
 Contact impedance: 100M Ω Max  
 接触阻抗: 100mΩ max  
 Electrical life: 30000 cycles min  
 电气寿命: 30000 cycles min  
 Conduction stroke: 0.6mm (±0.3mm)  
 导通行程: 0.6mm (±0.3mm)  
 Action force: 300gf ± 100gf  
 力度: 300gf ± 100gf  
 Operation type: touch reply  
 操作类型: 触动回复式

|               |              |          |                     |                      |
|---------------|--------------|----------|---------------------|----------------------|
| 4             | terminal     | 2        | BASS                | silver (Ag)          |
| 3             | Shrapnel     | 1        | SUS                 | Concave gold coating |
| 2             | Base         | 1        | PA46                | black                |
| 1             | Press handle | 1        | ABS                 | green                |
| Serial number | NAME         | QUANTITY | Texture of material | Plating/colour       |

|     |      |                      |       |
|-----|------|----------------------|-------|
| A4  |      |                      |       |
| A3  |      |                      |       |
| A2  |      |                      |       |
| A1  |      |                      |       |
| REV | DATE | REVISION DESCRIPTION | ISSUE |



COMMON TOLERANCE

|         |        |
|---------|--------|
| X.XX    | ± 0.10 |
| X.X     | ± 0.15 |
| X       | ± 0.25 |
| ANGULAR | —      |

|   |        |            |      |                      |
|---|--------|------------|------|----------------------|
| UNIT  | MM     | PROJECTED  |      | PRODUCT NAME:        |
| DRAWN BY  | FUYUAN | CHECKED BY | COCO | MODEL NO: TP-66017   |
| DATE  | 2019   | APPROVAL B | ALEN | Https: www.rocpcu.tw |
| <b>ROCPCU TECHNOLOGY CO.,LTD</b>  |        |            |      |                      |
| Copies are issued in strict confidence and shall not be reproduced or copied, or used as the basic of manufacture or sale of apparatus without permission |        |            |      |                      |