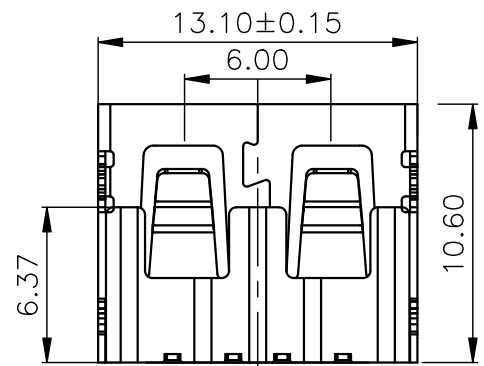
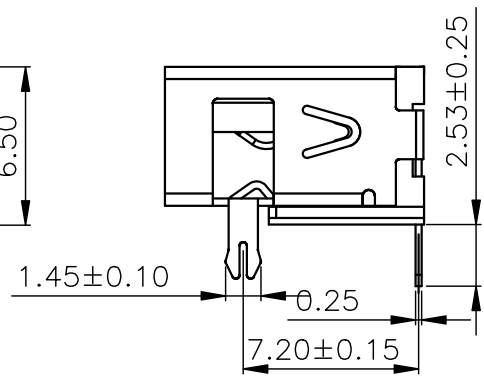
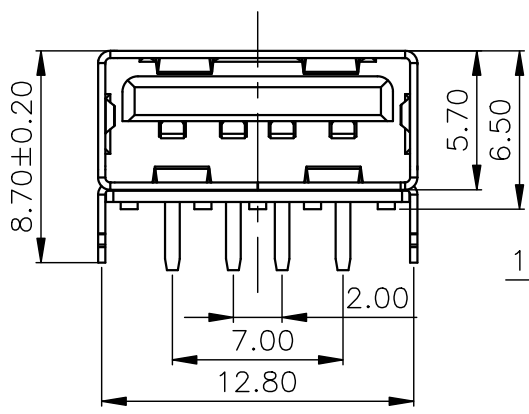
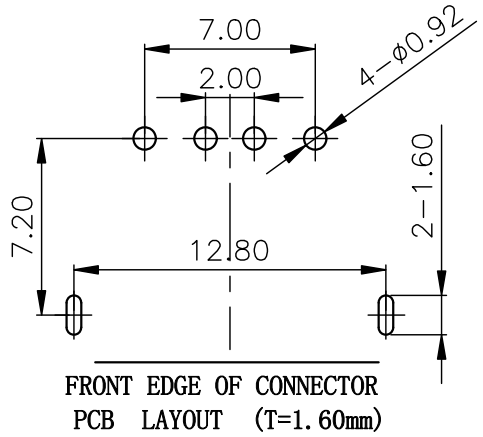
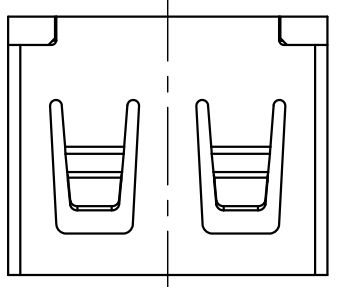


RoHS

目錄 MAPX	设变内容 MODIFICATION	日期 DATE



电气特性:Electrical:

1. 额定电流: Current Rating  
1.5A/contact terminal
2. 额定电压: Voltage Rating  
30V DC
3. 接触阻抗: Contact Resistance  
30 milliohms MAX
4. 耐电压: Dielectric Withstanding Voltage:  
500 V AC AT Sea Level
5. 绝缘阻抗: Insulation Resistance:  
1000MEGA ohms MIN

物理性能:Mechanical:

1. 插拔力: Connector Mate and Unmate Force  
Mate force: 3.57kgf (MAX)  
Unmate force: 1.02kgf (MIN)
2. 端子保持力: Terminal Retention  
1.0kgf (MIN)
3. 寿命: 1500次

原材料:Material:

1. 塑胶: Housing: pbt BK
2. 端子: Contact: Copper Alloy C2680
3. 外壳: Shell: SPCC

电镀:Finish:

1. 端子Contact: Au G/F u" Plated on contact area  
Tin50u" Plated on solder area  
Nickel 50u" Plated underplating over all.
2. 外壳Shell: Nickel 50u" Min plating over all.
3. Temperature Range: -55° C to +85° C

产品图  
PRODUCT CHART DWG

Pin NUMBER	SIGNAL NAME
1	VBUS
2	D-
3	D+
4	GND

公差一览表 TOLERANCE UNLESS OTHERWISE			
X.	±0.35	X'	±5'
.X	±0.30	.X'	±2'
.XX	±0.25	.XX'	±1'
.XXX	+0.10	.XXX'	+0.5'

深圳市精拓金电子有限公司

单位 UNITS	MM	制图 DRAWING	L S S	产品料号 PRODUCT PART NO.	912-121A1027D10200
比例 SCALE	1:1	审核 CHKD	G Z F	产品名称 PRODUCT NO.	AF10.6D款前两脚无边方弹壳亮PBT黑胶6.5DIP无耳朵
日期 DATE	2021/03/10	核准 APPD	黄国荣	角法 VIEW	版本 VER
					A0