

1

2

3

4

5

6

7

8

版本

变更内容

工程确认

日期

A

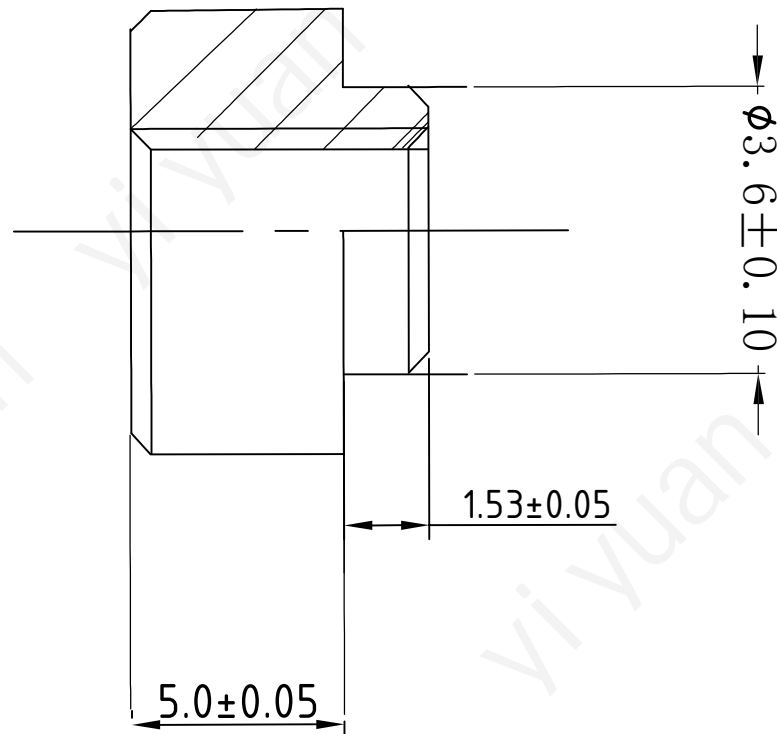
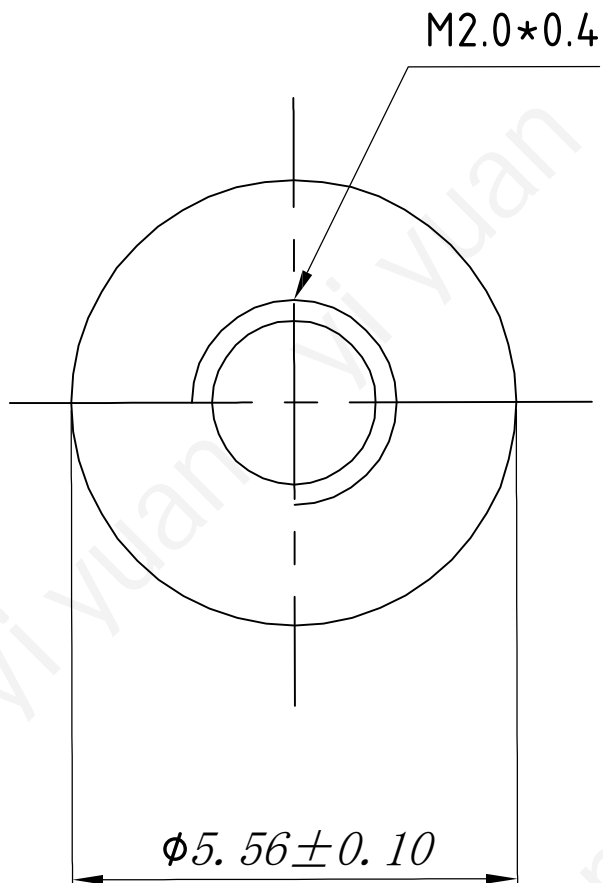
B

C

D

E

F



NOTES:

1. Material: Cu C3604;
2. Surface Treatment: Tin Matte 2-3 μm over Nickel 1-3 μm ;
3. Remove all burrs and sharpe angle .product is clean;
4. Packaged on 13" recyclable reels, Tape width is 24mm Supplied with polyamide patch for vacuum pick up, Reels conform to EIA-481 ;
5. RoHS Compliant.

品牌 (BRAND)	广东怡远 — YIYUANXNY® —	页码 (SHEET)	1/1	单位 (UNIT) : MM
		版本 (REV)	A1	比例 (SCALE)
工厂 (FACTORY)	广东怡远科技有限公司 GUANGDONG YIYUAN TECHNOLOGY CO., LTD	日期 (DATE)	2021. 10. 12	 未注公差 TOLERANCE UNSPECIFIED
		设计 (DESIGN)	LUO	
品名 (ITEM NO)	M2x5.56xL5+1.53 黄铜镀亮锡	审核 (CHECKED)	ROGER LI	X ±0.20 X* ±4* .X ±0.10 .X* ±2* .XX ±0.05 .XX* ±1*
料号 (PART NO)	SMTSOM250BTR	核准 (APPROVED)	ROC ZHAO	
These drawings and specifications are Yiyuan Technology Co Ltd. The property should not be copied. Without Yiyuan Technology Co. Ltd. Prior written consent to copy or use in any way.				

1

2

3

4

5

6

7

8