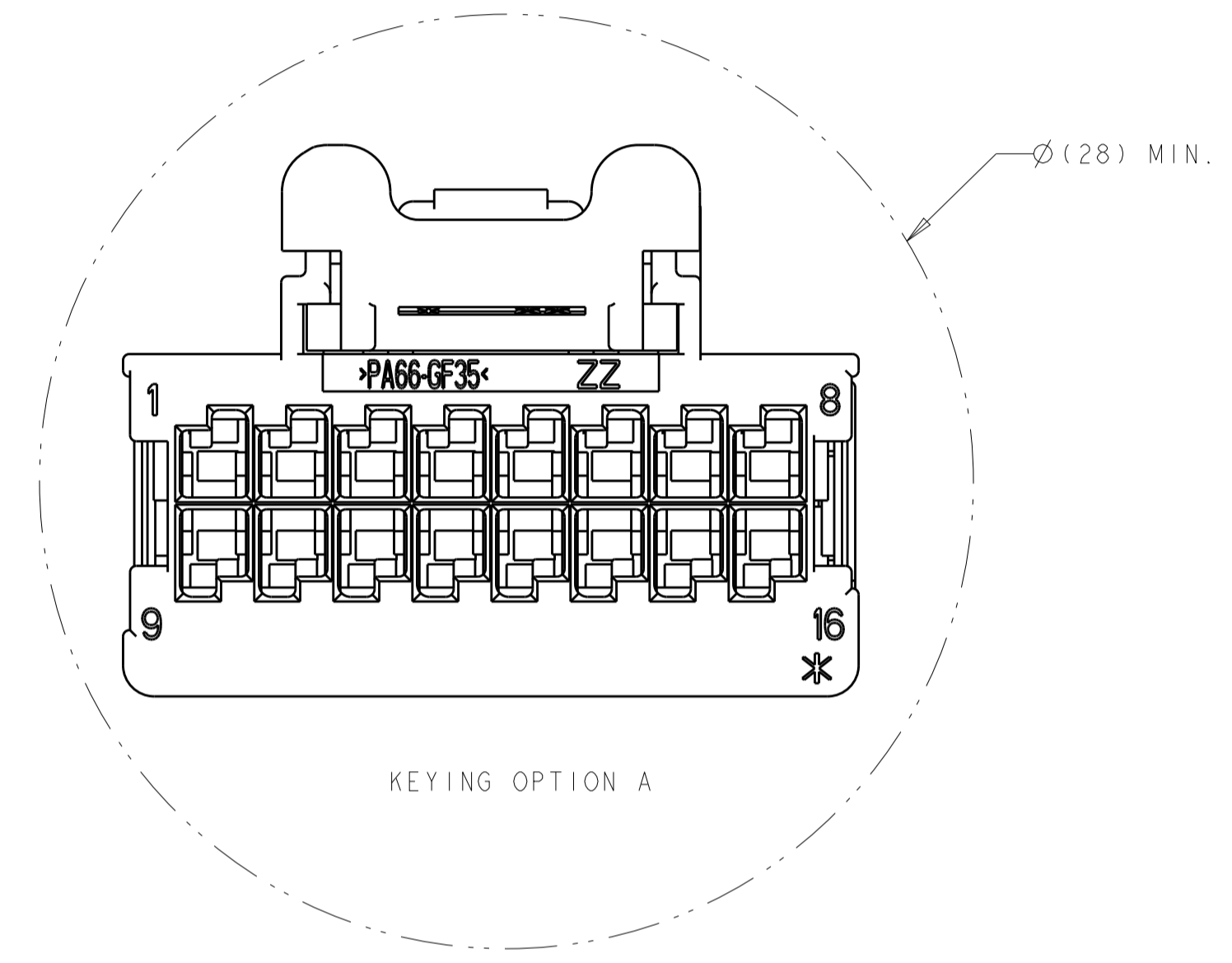
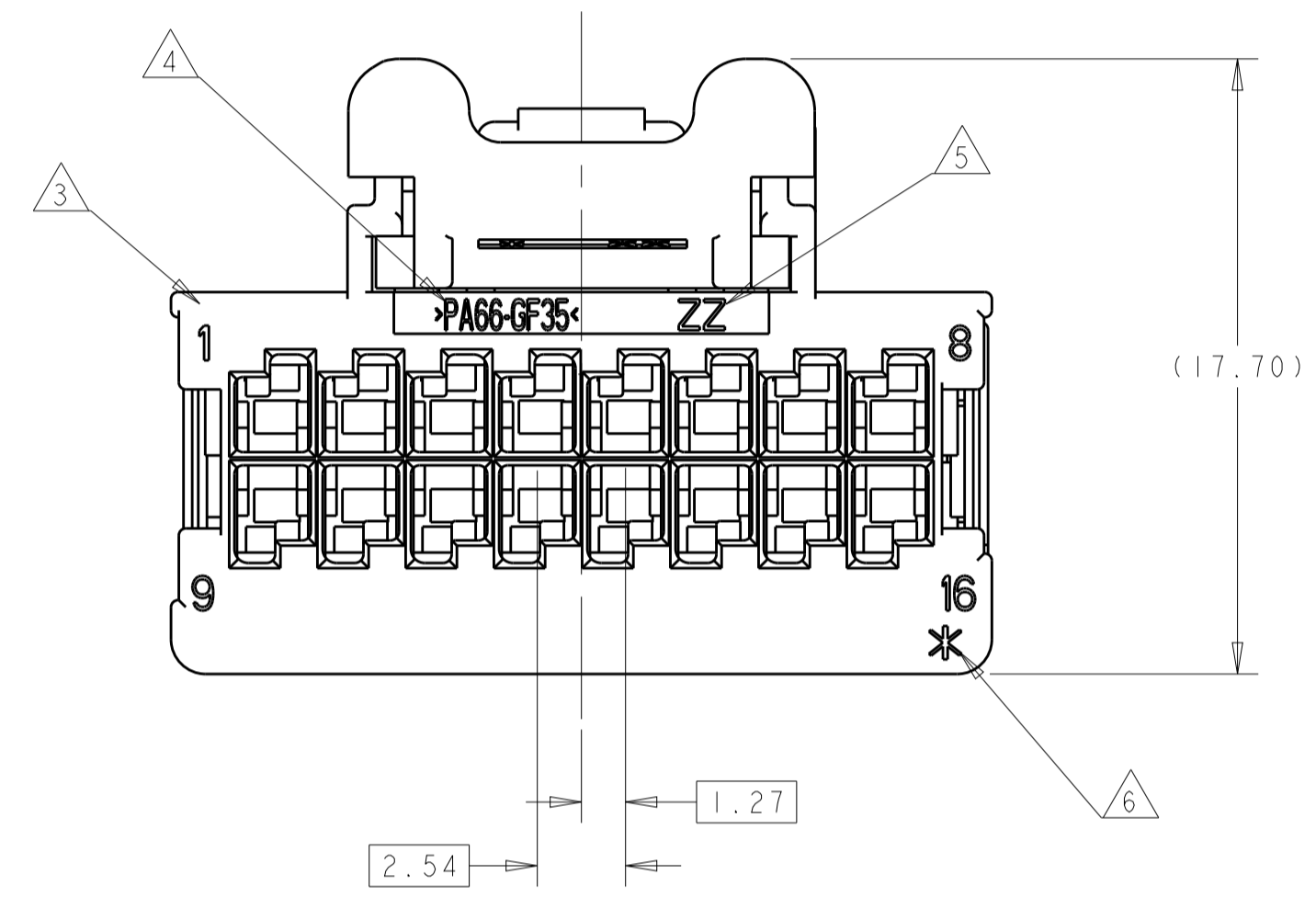
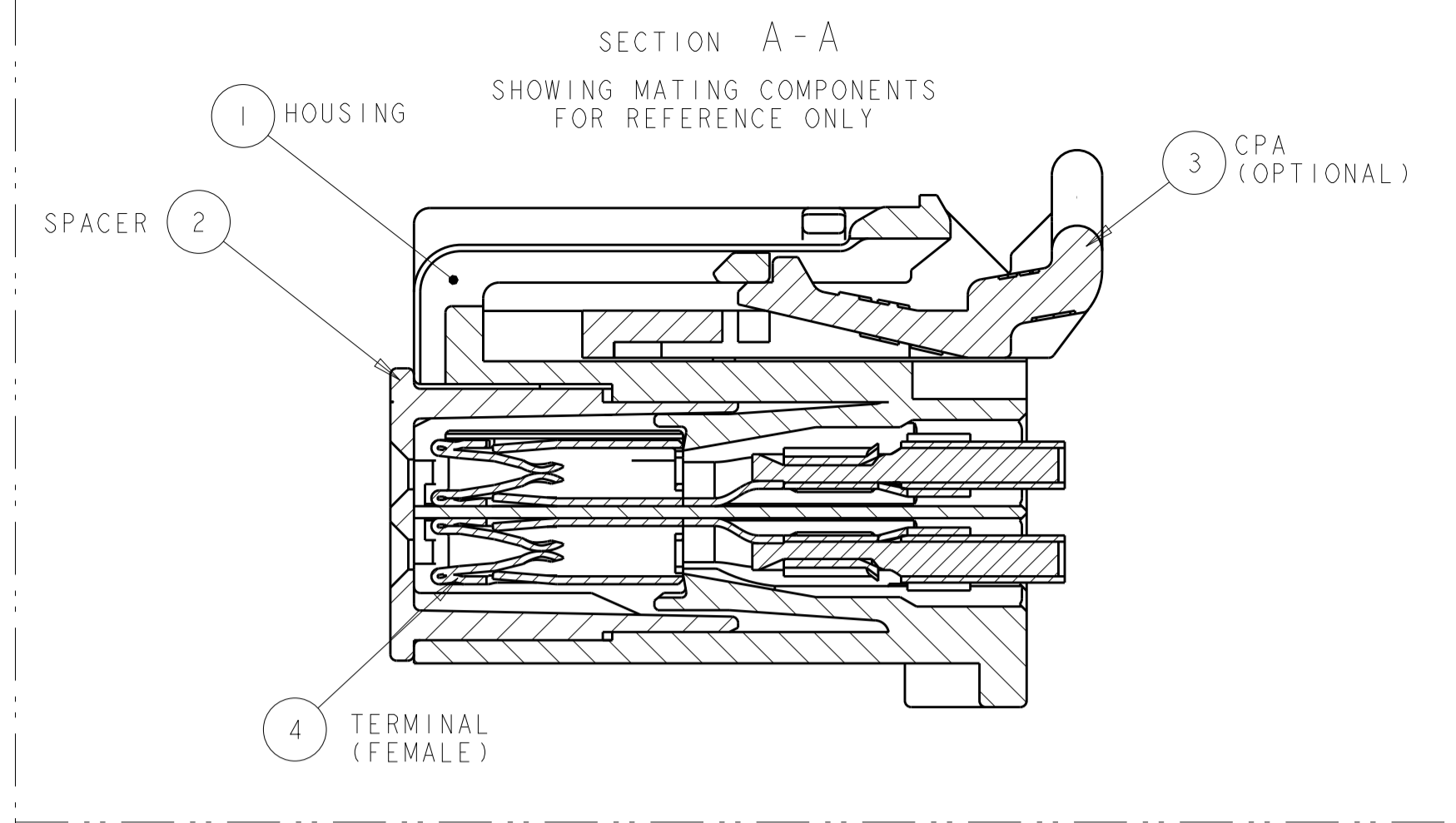
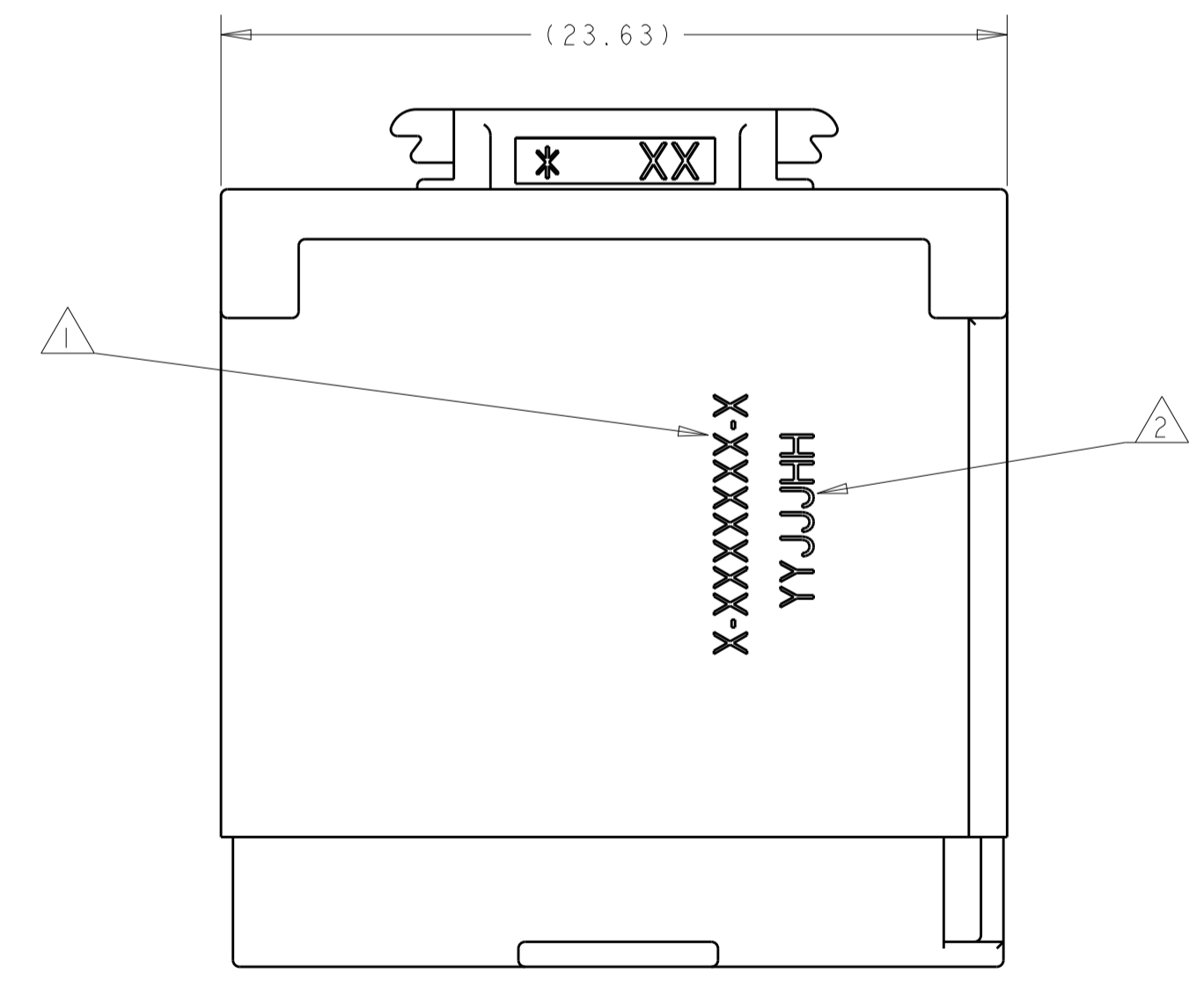


ASSEMBLY WITH CPA

(23.37)



KEYING OPTION A



SECTION A-A
SHOWING MATING COMPONENTS
FOR REFERENCE ONLY

REVISIONS				
P.	LTN.	DESCRIPTION	DATE	APP'D.
C		REVISED PER ECR-07-016022	30JUL2007	DLD DCS
C1		REVISED PER ECO-13-019739	06JAN2014	DD RL
C2		REVISED PER ECO-19-015741	22OCT2019	JMS CM

- 1 TE CONNECTIVITY ASSY PART-NO. ACCORDING TO TABLE, LASER PRINTED, WHITE INK PERMITTED AS ALTERNATIVE.
- 2 DATE CODE, FORMAT, YY=YEAR JJJ=DAY HH=HOUR, LASER PRINTED, WHITE INK PERMITTED AS ALTERNATIVE. SINGLE DIGIT HOUR NOTE ACCEPTABLE.
- 3 TERMINAL CAVITY ID.
- 4 MATERIAL ID.
- 5 MOLD CAVITY ID.
- 6 TE LOGO.
- 7 KEY "A" NOT RECOMMENDED FOR NEW APPLICATIONS.
- 8. PACKING:
PARTS BULK PACKED IN CARDBOARD BOX.

1456989-7	1456989-6	1456989-5	1456989-4	1456989-3	1456989-2	1456989-1	<----- ASSEMBLY PN						
-	-	-	-	-	I	-	CPA	PBT-GF20	RED	3			
I	I	I	I	I	I	I	SPACER	PBT+PC-GF30	RED	2			
I	-	-	-	-	-	-	HOUSING; KEY F	PA66-GF35	BLACK	I			
-	I	-	-	-	-	-	HOUSING; KEY E	PA66-GF35	BLACK	I			
-	-	I	-	-	-	-	HOUSING; KEY D	PA66-GF35	BLACK	I			
-	-	-	I	-	-	-	HOUSING; KEY C	PA66-GF35	BLACK	I			
-	-	-	-	I	-	-	HOUSING; KEY A	PA66-GF35	LT. GREY	I			
-	-	-	-	-	I	I	HOUSING; KEY A	PA66-GF35	BLACK	I			
							DESCRIPTION	MATERIAL	COLOR	ITEM NO			
QTY REQ'D PER ASSY							REVISION OF EACH ASSY NO (WHEN BLANK, USE DWG REVISION)						
							WEIGHT OF EACH ASSY NO (g)						

THIS DRAWING IS A CONTROLLED DOCUMENT.

DIMENSIONS: mm
 TOLERANCES UNLESS OTHERWISE SPECIFIED:
 0 PLC ±
 1 PLC ±
 2 PLC ±
 3 PLC ±
 4 PLC ±
 ANGLES ±
 FINISH -

DWN: R. VESTAL 30OCT2006
 CHK: D. STRAUSSER 30OCT2006
 APVD: D. STRAUSSER 30OCT2006

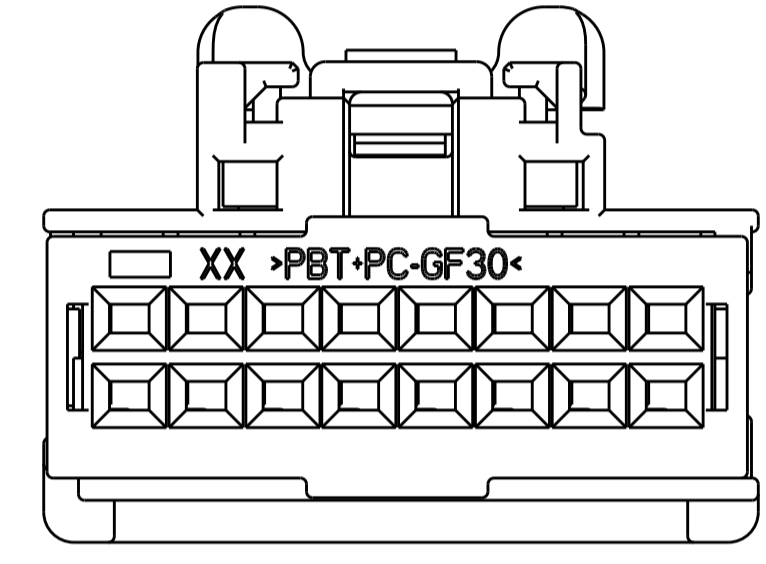
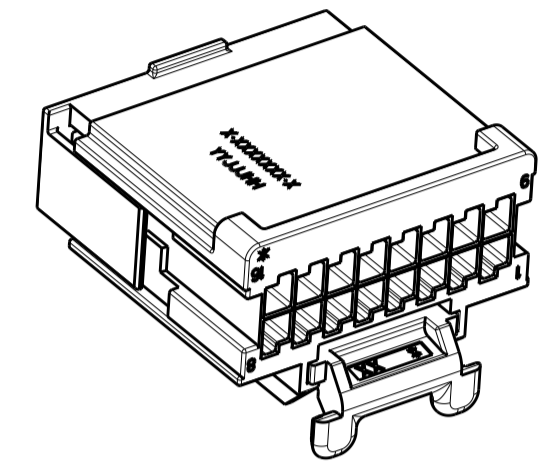
NAME: 2X8 POSITION, GET FEMALE CONNECTOR UNSEALED ASSEMBLY
 SIZE: 408-8599
 CAGE CODE: 1456989
 DRAWING NO: 1456989-1

MATERIAL: SEE TABLE
 FINISH: -
 WEIGHT: -
 CUSTOMER DRAWING

TE TE Connectivity
 SCALE: 5:1 SHEET 1 OF 2 REV C2

REVISIONS				
P.	LTN	DESCRIPTION	DATE	APVD
-		SEE SHEET 1	-	-

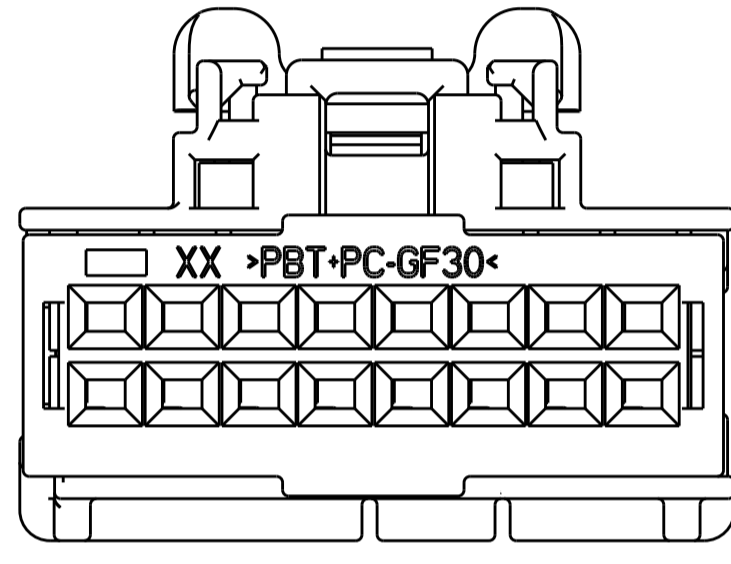
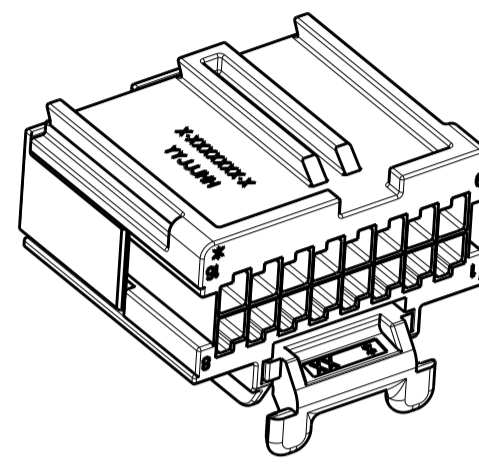
KEYING OPTION A



4:1

(SHOWN WITH CPA)

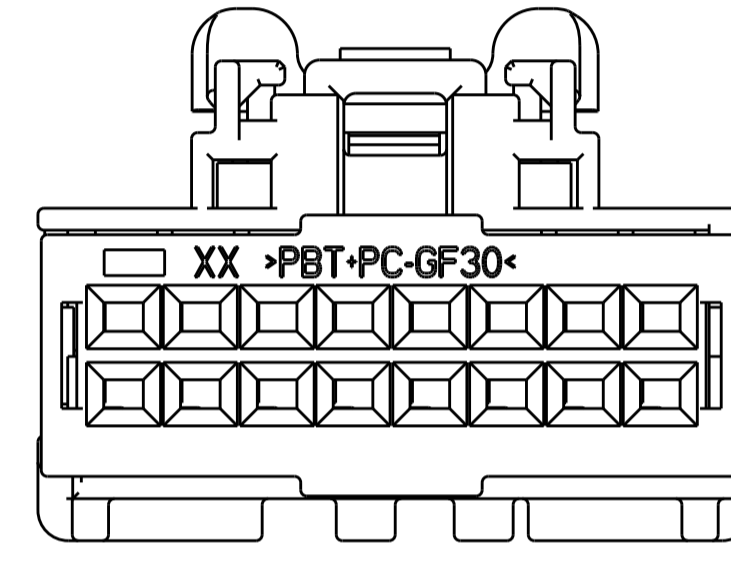
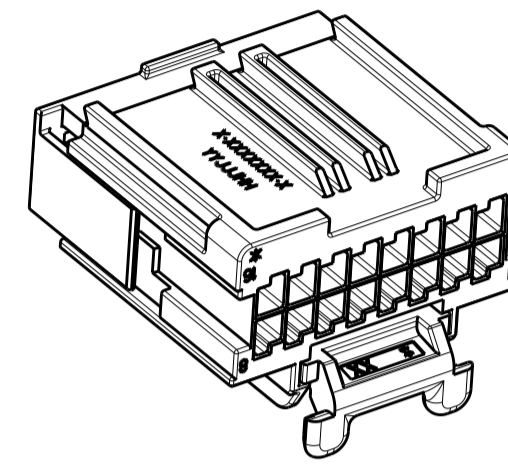
KEYING OPTION C



4:1

(SHOWN WITH CPA)

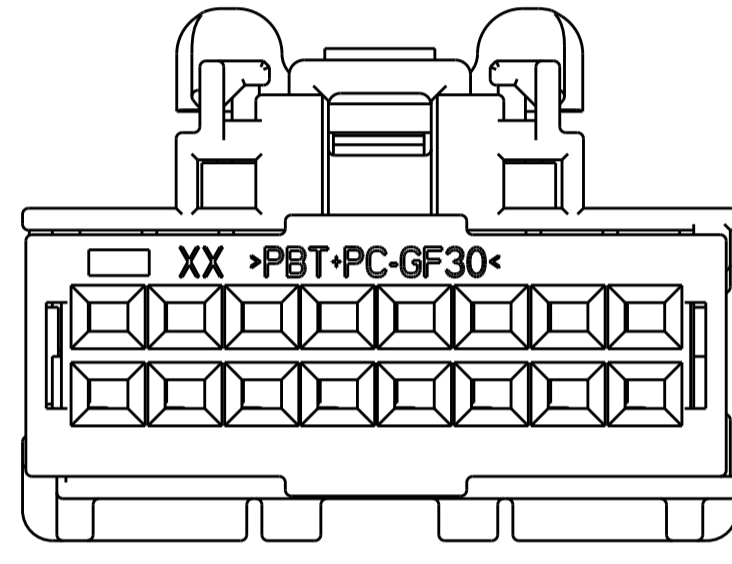
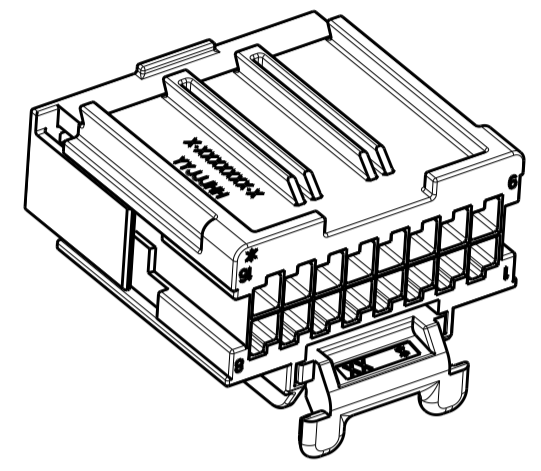
KEYING OPTION D



4:1

(SHOWN WITH CPA)

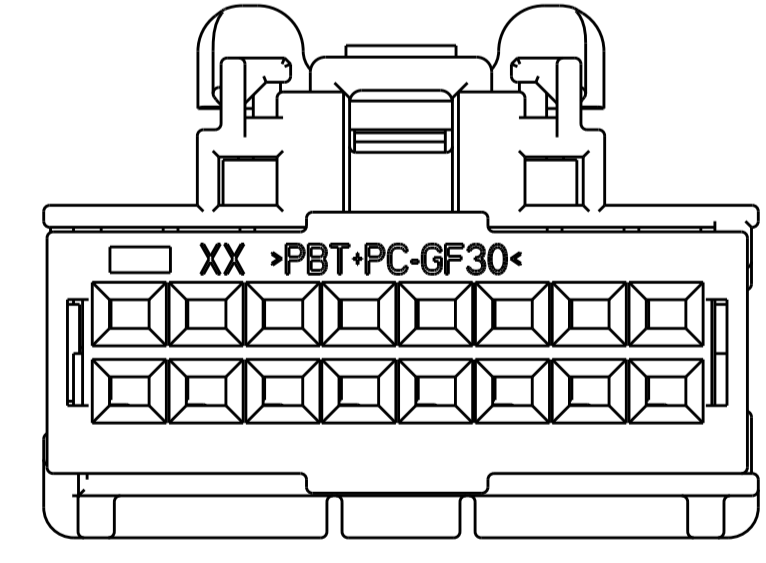
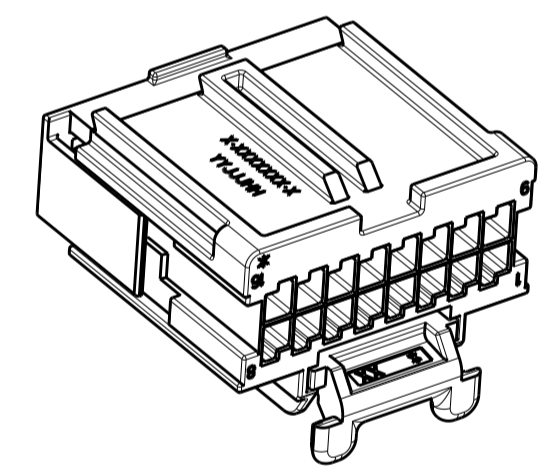
KEYING OPTION E



4:1

(SHOWN WITH CPA)

KEYING OPTION F



4:1

(SHOWN WITH CPA)

THIS DRAWING IS A CONTROLLED DOCUMENT.		DWN: R. VESTAL 30OCT2006	
DIMENSIONS: mm		CHK: D. STRAUSSER 30OCT2006	
		TOLERANCES UNLESS OTHERWISE SPECIFIED:	NAME: 2X8 POSITION, GET FEMALE CONNECTOR UNSEALED ASSEMBLY
MATERIAL: SEE TABLE		APVD: D. STRAUSSER 30OCT2006	RESTRICTED TO:
		PRODUCT SPEC:	SIZE: A 00779 C=1456989
		APPLICATION SPEC:	SCALE: 5:1 SHEET 2 OF 2 REV: C2
		ANGLES:	CUSTOMER DRAWING
		FINISH:	
		WEIGHT:	