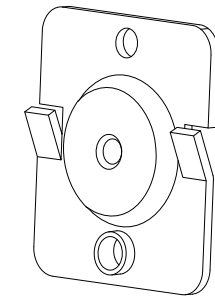
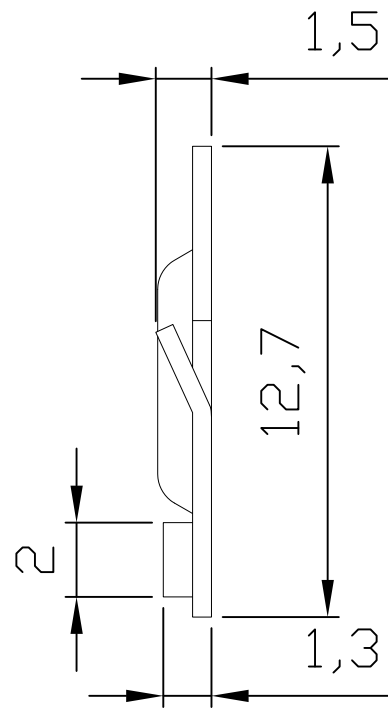
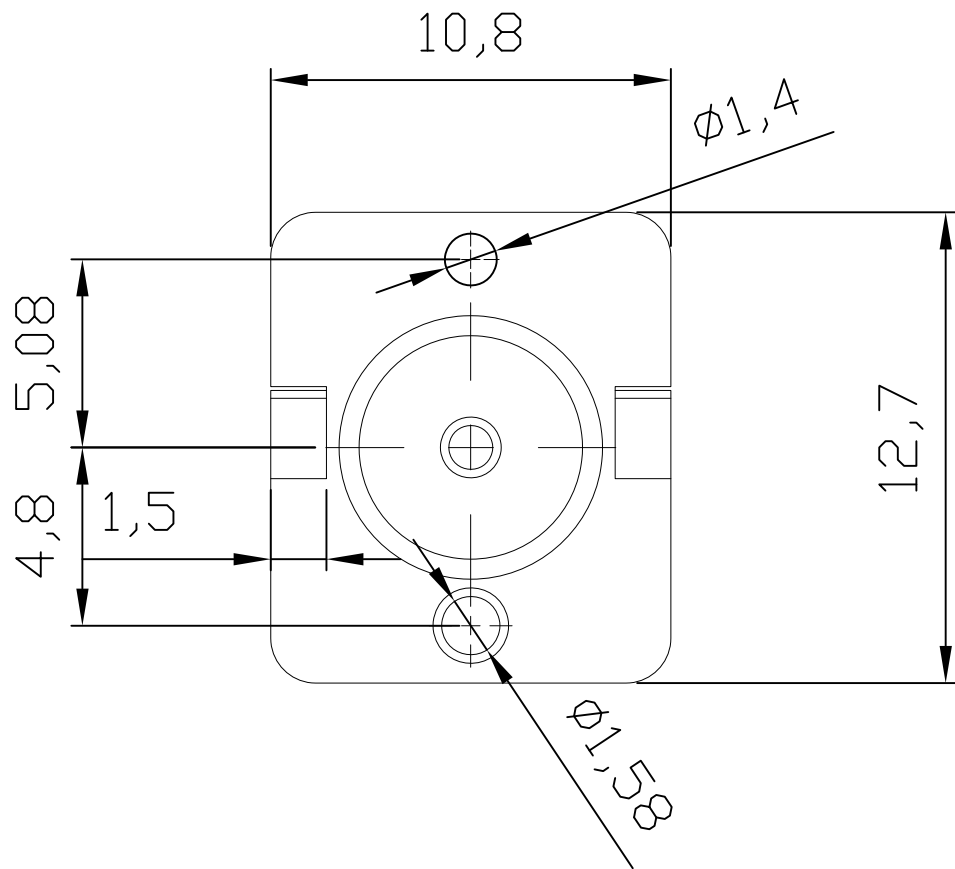




REV.	ECN NO.	REVISED	DATE



工程部
2022-04-22
H. WANG

UNLESS OTHERWISE SPECIFIED TOLERANCES		MYOUNG 美阳 www.meiyangdz.com			
DECIMALS: X :±0.30 X.X :±0.25 X.XX :±0.20 X.XXX :±0.10	ANGLES: X :±1° X.X :±0.5°	DSND	YangFeng	DATE	2022-04-22
WEIGHT:		CHKD	ZhouRuicai	DATE	2022-04-22
SHEET 1 OF 1		APVD	XueShunyong	DATE	2022-04-22
TITLE:		5#电池弹片正极 (5221)			
PART NO.:		MY-AA-5221			
DRAW NO.:		WD-CP-0206			

1	TERMINAL	1	STEEL, T=0.5MM	Ni-PLATING
NO.	PART NAME	Q'TY	MATERIAL	PLATING & COLOR