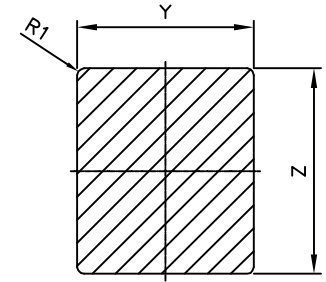
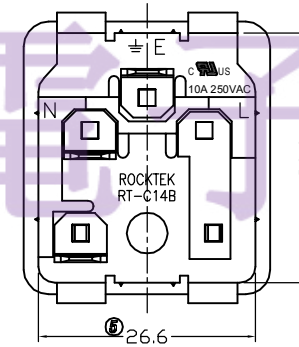
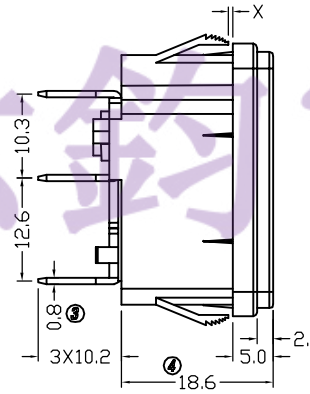
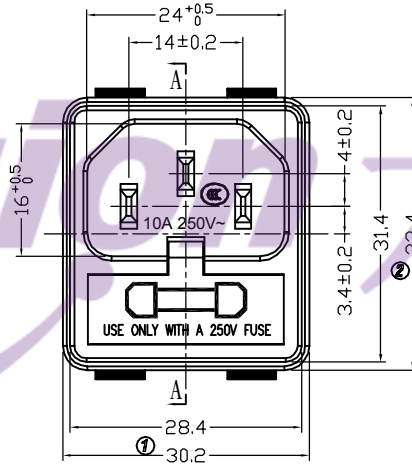
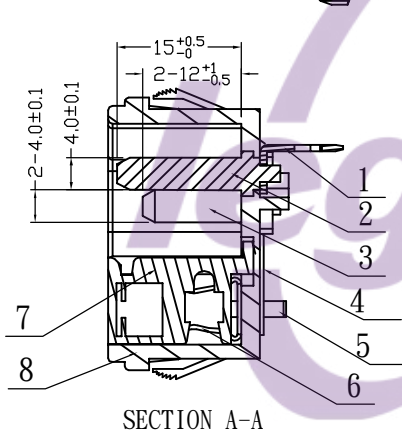


X(PANEL THICKNESS)	Y(CUTOUT DIMENSION)	Z(CUTOUT DIMENSION)
0.8~1.25 mm	28.5 ± 0.2	31.4 ± 0.5
1.25~2.0 mm	28.5 ± 0.2	31.6 ± 0.5



PANEL CUTOUT DIMENSION TABLE



电话: 0769-82310511-867
 邮箱: hooya89@hooya.hk

NOTES:

1. Rating: 10A 250VAC
2. CONTACT RESISTANCE: 50mΩ Max
3. INSULATION RESISTANCE: 100MΩ Min, at 500VDC
4. WITHSTAND VOLTAGE: 2000VAC 0.5mA 1 minute

8	本体	PA66 UL94V-0	1
7	盖子	PA66 UL94V-0	1
6	3#端子	C2680 1/2H Ag-plating	2
5	3#PIN	C1100 1/2H Ag-plating	2
4	连接片	C2680 1/2H Tin-plating	1
3	2#PIN	C2680 1/2H Ni-plating	2
2	1#PIN	C2680 1/2H Ni-plating	1
1	1#端子	C2680 1/2H Tin-plating	3
NO.	PART NAME	MATERIAL	Q'TY

NO	DESCRIPTION	NO	DESCRIPTION	DIMENSIONAL TOLERANCES		APPROVED	CHECKED	DESIGN	DRAWN	ALL SIZE ARE IN		DRAWING NO.	REV.	
				RANGE	TOLERANCE					MM	NO			
5	→	10	→	X	±0.4	LMC 2016.07.23				MAT'L	***	RT-C14B-A00-13-R	WIF120091	AO
4	→	9	→	X.X	±0.3					MATERIAL NO.				
3	→	8	→	X.XX	±0.2									
2	→	7	→	ANGLES	±1'									
1	→	6	→											
LEGION ELECTRONIC & HARDWARE CO., LTD														

