

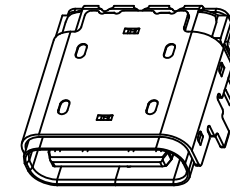
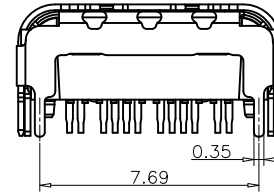
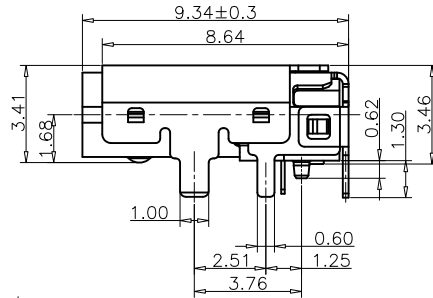
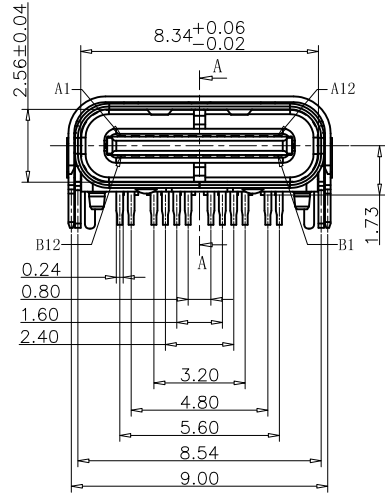
RECOMMEND P.C.B LAYOUT(T=1.00mm)  
TOLERANCE UNSPECIFIED ±0.05mm

REV. (版本号)	DESCRIPTION (变更说明)	DATE (日期)	APPD (核准)
A0	新订图面	2021.03.12	Lee

NOTES:

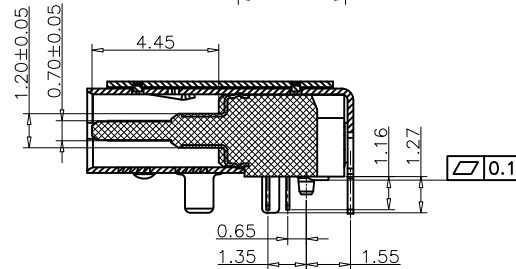
SPECIFICATION:

- CURRENT RATING: 5.0 A
- VOLTAGE RATING: 5.0 V
- VBUS & GND PINS AND OTHER PINS: 40mΩ/PIN MAX  
SHIELD: 50mΩ/MAX  
LLCR MAX. CHANGE OF ALL PINS: 10Ωm
- INSULATION RESISTANCE: 100MΩ MIN
- DIELECTRIC WITHSTAND VOLTAGE, AC 100V FOR 1MINUTE
- INSERTION FORCE: 0.5~2.0kgf
- UNMATING FORCE: 0.8~2.0kgf
- DURABILITY: 10000 CYCLES
- OPERATING TEMPERATURE: -25°C~+85°C
- THE PEAK TEMPERATURE ON THE BOARD SHALL BE MAINTAINED FOR 10 SECONDS AT 260°C

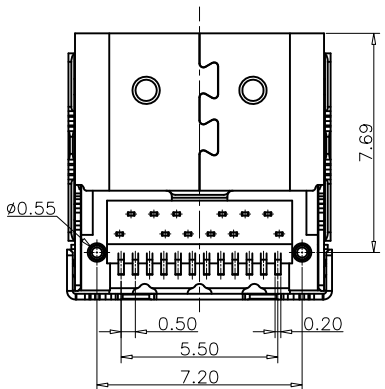


USB TYPE C PIN ASSIGNMENTS

PIN NUMBER	SIGNAL NAME	PIN NUMBER	SIGNAL NAME
A1	GND	B12	GND
A2	TX1+	B11	TX1+
A3	TX1-	B10	TX1-
A4	VBUS	B9	VBUS
A5	CC1	B8	SBU2
A6	DP1	B7	DN2
A7	DN1	B6	DP2
A8	SBU1	B5	CC2
A9	VBUS	B4	VBUS
A10	RX2-	B3	TX2-
A11	RX2+	B2	TX2+
A12	GND	B1	GND



SECTION A-A  
SCALE 1:1



- 端子 1A
- 中隔片 1A
- 外壳 1A
- 上壳 1A

TABLE:

NO	PART	Q'TY	Material
1	SHELL	1	STAINLESS STEEL, NI PLATED
2	CONTACT	24	COPPER ALLOY, TIN/AU/NI PLATED
3	MID PLATE	1	STAINLESS STEEL, NO PLATING
4	EMI	1	STAINLESS STEEL, NO PLATING
5	HOUSING	1	HIGH TEMPERATURE RESISTANT PLASTIC BLACK UL94 V-0

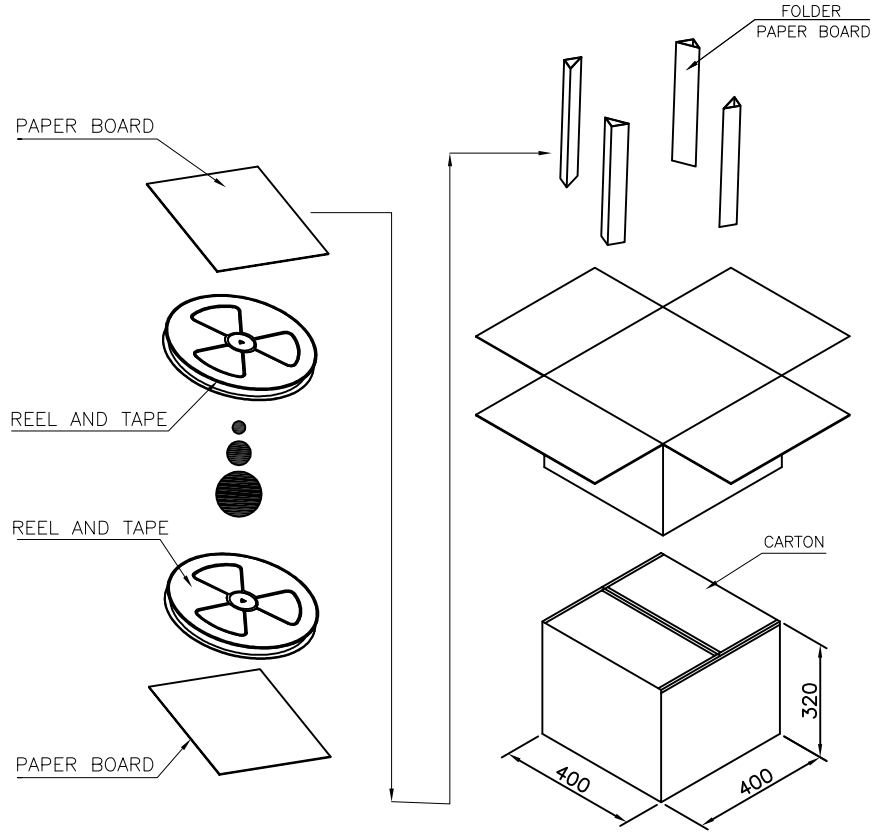
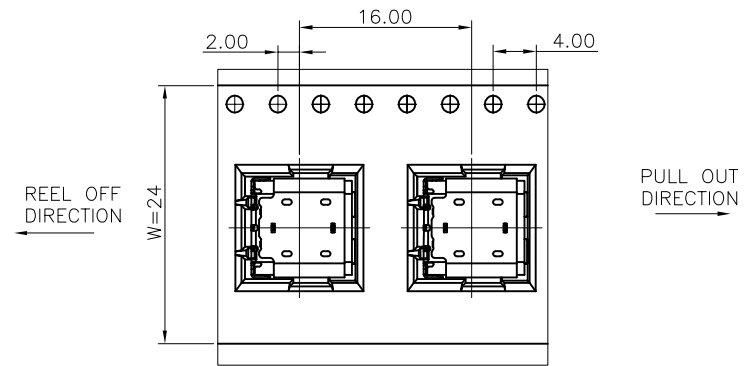
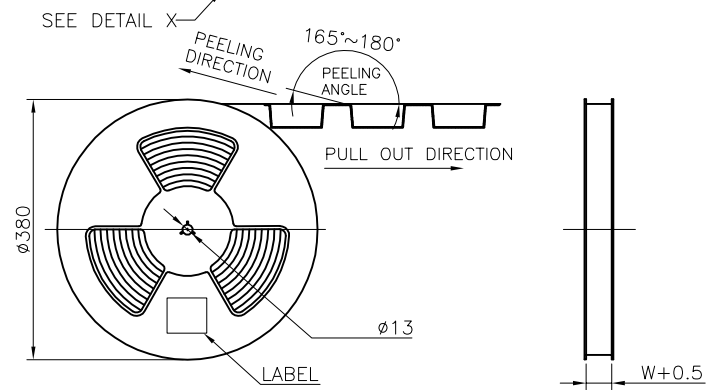
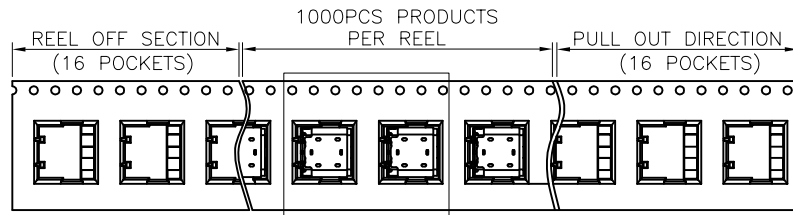
**YWF** 深圳市宇文发电子科技有限公司  
Shen Zhen Yu Wen Fa Electronics Technology Co., Ltd  
TEL: 0755-27711235 FAX: 0755-27712683

品名 (ITEM NO)	TYPE C 24P DIP+SMT 板上母座(带上铁壳)
料号 (PART NO)	PTCFW-H27C-007
图号 (DWG NO)	P-TCF-035

页码 (SHEET)	1/1	单位 (UNIT):	MM
版本 (REV)	A0	比例 (SCALE):	1:1
日期 (DATE)	2021.03.12		
设计 (DESIGN)	Lee	未注公差 TOLERANCE UNSPECIFIED	
审核 (CHECKED)		X.X	±0.30
核准 (APPROVED)		X.XX	±0.20
		X.XXX	±0.10
		X°	±5°
		X.X°	±2°

RoHS Compliant

REV.	ECN NO	DESCRIPTION	REVISER	DATE
A/0				
A/1				



	REEL/TRAY	CARTON
CONNECTOR (PCS)	1000	10000

图号 (DWG NO)		单位 (UNIT): MM	深圳市宇文发电子科技有限公司 Shen Zhen Yu Wen Fa Electronics Technology Co., Ltd TEL:0755-27711235 FAX:0755-27712683	
日期 (DATE)	2021. 09. 24	比例 (SCALE) 1:1		
版次 (REV): A/0	页/次(PAGE): 1/1			
设计 (DESIGN)	ZHUANG	包装规范	品名 (ITEM NO)	TYPE CF 24P DIP+SMT 双壳 系列包规
审核 (CHECKED)			料号 (PART NO)	A-004R-095
核准 (APPROVED)				