

# GT-TC034X-HXXX-LX

G-Switch

### Operating Force

- A=160gf
- B=250gf
- C=130gf
- D=320gf
- F=400gf

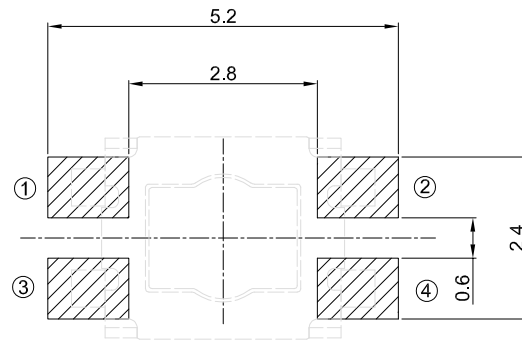
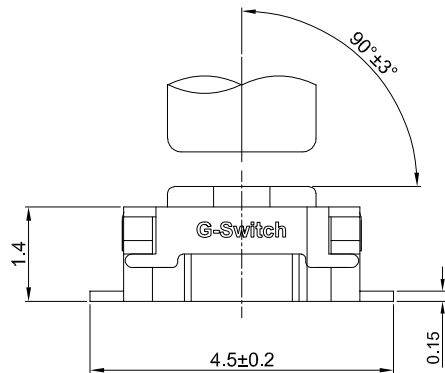
### Switch Height (mm)

- H018=1.80
- H020=2.00
- H025=2.50

### Switch Lifetime

- L1=100,000 Cycles
- L2=200,000 Cycles
- L3=300,000 Cycles

Keying Tip Tilt

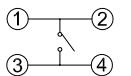


RECOMMENDED PCB LAYOUT  
TOLERANCE:±0.05

### G-Switch Specification:

1. Operating temperature range: -40°C ~ +85°C
2. Rating: 50mA, 12V DC
3. Insulation resistance: 100MΩ min, 100V DC
4. Dielectric strength: 250V AC for 1 min
5. Contact resistance: 100mΩ max.
6. Travel: 0.20±0.1mm

6	COVER	STAINLESS STEEL 304	--
5	STEM	LCP	BLACK/WHITE
4	TAPE	POLYIMIDE	--
3	CONTACT	STAINLESS STEEL 301	Ag PLATING
2	BASE	LCP	BLACK
1	TERMINAL	PHOSPHOR BRONZE	Ag PLATING
NO.	PART NAME	MATERIAL	REMARK



CIRCUIT DIAGRAM



SCALE: 1:1 UNIT: mm  
SIZE: A4

Unless otherwise  
General Tolerance:  
X. ±0.40  
X.x ±0.30  
X.xx ±0.20  
X\* ±3°

Title: Vertical Tact Switch Flat 3.5×3.0×Hmm			
Molde Code: GT-TC034X-HXXX-LX			
DRAWN	CHECKED	APPROVED	DATE
Jlang	Xla	Chen	2025.02.01



REV: A1 SHEET: 1/1