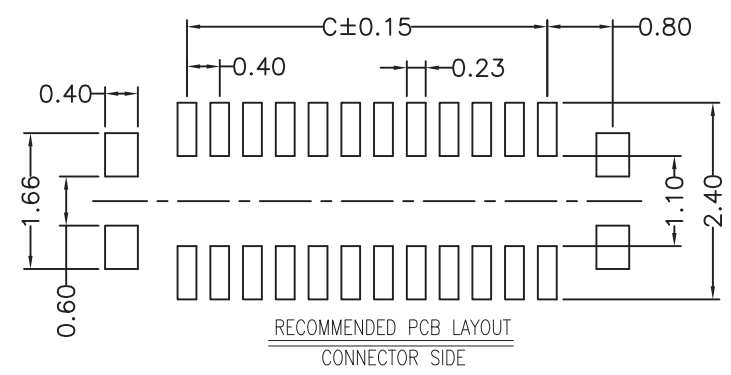
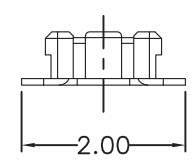
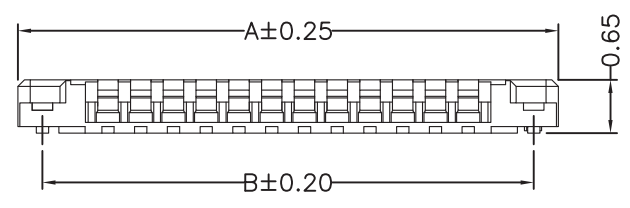
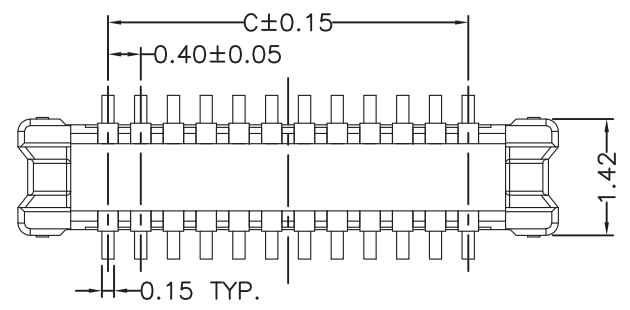


RoHS



SPECIFICATIONS:
 1.VOLTAGE/CURRENT RATING: 30V/0.3A AC;
 2.WITHSTANDING VOLTAGE: 100V AC ONE MINUTE;
 3.INSULATION RESISTANCE: 50MΩ MIN;
 4.CONTACT RESISTANCE: 100mΩ MAX;
 5.OPERATING TEMPERATURE RANGE: -35° C TO 85° C.
 MATERIAL:
 1.INSULATOR: LCP UL 94V-0 BLACK;
 2.TERMINAL: COPPER ALLOY;
 3.METAL FITTINGS: COPPER ALLOY.
 PLATING:
 1.TERMINAL: GOLD PLATING,
 NICKEL 50u" MIN. OVER ALL;
 2.METAL FITTINGS: TIN 100u" MIN. OVER NICKEL 50u"MIN.

PIN NO.	A	B	C
10	3.80	3.20	1.60
12	4.20	3.60	2.00
14	4.60	4.00	2.40
16	5.00	4.40	2.80
24	6.60	6.00	4.40
30	7.80	7.20	5.60
34	8.60	8.00	6.40
40	9.80	9.20	7.60
50	11.80	11.20	9.60

6.0				DRAWING: Frank
5.0				
4.0				CHECKED: yangjie
3.0				
2.0				APPROVAL:
1.0				
REV.	DATE	DESCRIPTION	DRAWING	

GENERAL TOLERANCE	
.X:=±0.30	.X':=±2°
.XX:=±0.20	.XX':=±1°
.XXX:=±0.10	.XXX':=±0.5°
UNIT: MM	PROJECTION:
SCALE: 1/1	
SHEET: 1/1	



DESCRIPTION:	BTB P0.40 HAEDER	
PART NO:		REV: 1.0
OLD CODE:		
DRAWING NO:	GY094P***	SIZE: A4