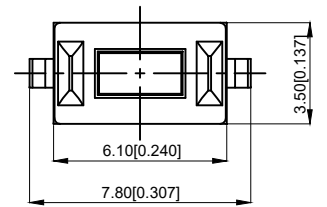
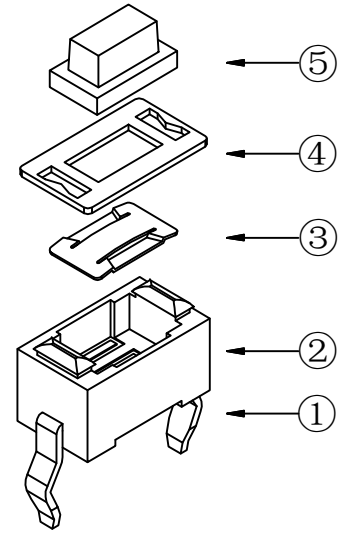
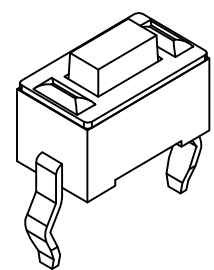
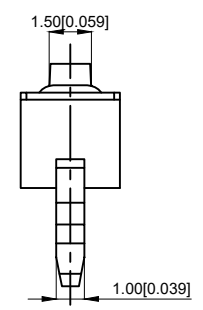


PCB.焊接图  
PCB.WELDING DRAWING



① ——— ②  
电路图  
CIRCUIT DIAGRAM



- NOTES:
- 1.Rating:12VDC 50mA  
1.额定值: 12VDC 50mA
  - 2.Dielectric Strength:250V AC  
2.耐电压: 250V AC
  - 3.Contact Resistance:≤100mΩ Max  
3.接触电阻: ≤100mΩ
  - 4.Insulation Resistance:≥100MΩ  
4.绝缘电阻: ≥100MΩ
  - 5.Operating Force:260±50gf  
5.操作力: 260±50gf
  - 6.Life: 20,000 times  
6.寿命: 20,000 times
  - 7.Travel: 0.20±0.10mm  
7.行程: 0.20±0.10mm
  - 8.Operating Temperature Range: -20℃~80℃  
8.工作温度: -20℃~80℃

5	Button 按钮	PPA	1	White 白色
4	Cover plate 盖板	Iron cover plate	1	Copper tin plating 镀铜锡
3	Shrapnel 弹片	SUS	1	Ag plating 镀银
2	Body 本体	PPA	1	Whith Black 白色 黑色
1	card 卡件	Brass	1	Ag plating 镀银
NO 序号	Part name 部件名	Material 材料	QTY 数量	Remark 备注

A4				
A3				
A2				
A1				
REV	DATE	REVISION	DESCRIPTION	ISSUE



COMMON TOLERANCE	
X.XX	± 0.10
X.X	± 0.15
X	± 0.25
ANGULAR	——

UNIT	MM	PROJECTED		PRODUCT NAME:
DRAWN BY	FUYUAN	CHECKED BY	COCO	MODEL NO: TP15012645
DATE	2019	APPROVAL B	ALEN	Https: www.rocpcu.tw

**ROCPCU TECHNOLOGY CO.,LTD**

Copies are issued in strict confidence and shall not be reproduced or copied, or used as the basic of manufacture or sale of apparatus without permission