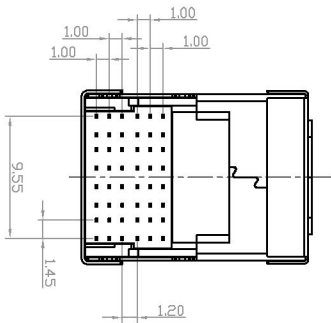
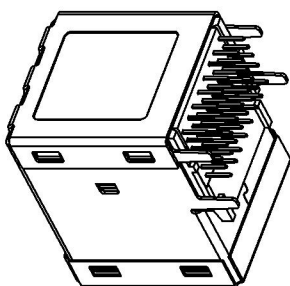
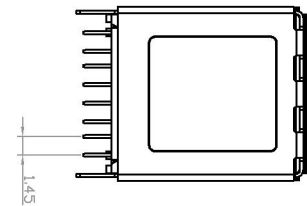
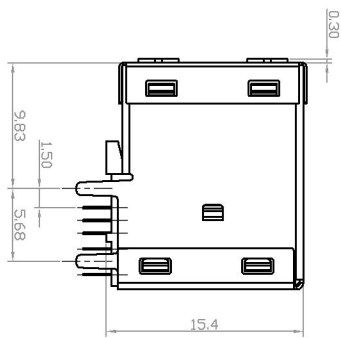
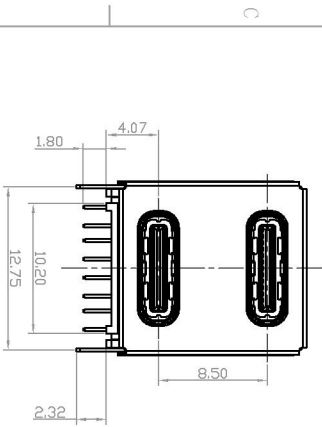
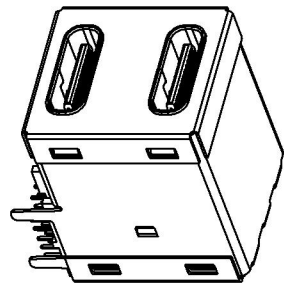
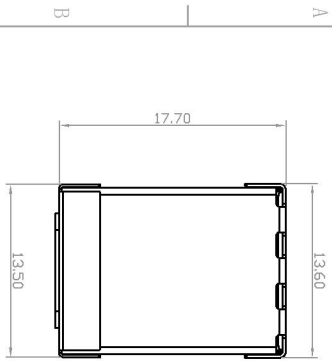


REV	MODIFICATION	DRAW	DATE
A.00	新版发行		20201125



- NOTE:
- MATERIAL:
 - HOUSING: LQF, UL 94V-0, COLOR- BLUE (PARTNOE 3000) OR BLACK
 - BOTTOM COVER: LQF, UL 94V-0, COLOR- BLUE (PARTNOE 3000) OR BLACK
 - CONTACT: C7025 (T=0, 12mm), C2880 (T=0, 15mm)
 - SOCKET SHELL: SWS304-1/2H (T=0, 3mm)
 - FRONT MIDDLE SHELL: SWS304-1/2H (T=0, 25mm)
 - REAR SHELL: SWS304-1/2H (T=0, 2mm)
 - MID PLATE: SWS301-1/2H (T=0, 1.5mm)
 - PCB: FR4
 - DICTIONAL CHARACTERISTICS:
 - CONTACT RESISTANCE: 30mΩ Max FOR INITIAL, 10mΩ CHANGE AFTER TEST, MEASURE AT 20mV, 100mA, 1.25A FOR VCC/IN PIN, 0.25A FOR OTHER SIGNAL PIN.
 - CONTACT CURRENT RATING: 5A FOR COLLECTIVELY POWER SUPPLY PIN (P1/A1, A4, A9, A12, B1, B4, B9, B12);
 - DIELECTRIC WITHSTANDING VOLTAGE: 100V AC R.M.S.
 - INSULATION RESISTANCE: 100MΩ Min
 - OPERATING TEMPERATURE: -40° C ~ 85° C
 - MCHANICAL CHARACTERISTICS:
 - MATING FORCE: 5~20 N
 - MATED FORCE: 8~20N INITIAL TEST, 6~20N DURABILITY AFTER TEST
 - DURABILITY: 10,000 CYCLES
 - PLATING:
 - TERMINAL CONTACT: 1μ GOLD PLATING ON CONTACT AREA, ALL OVER 50μ Min NICKEL AND 1μ Min Matte GOLD ALL OVER 50μ Min THICK, ON SOLDER AREA
 - SHELL: 50μ Min NICKEL ALL OVER.
 - MID PLATE: CLEAN

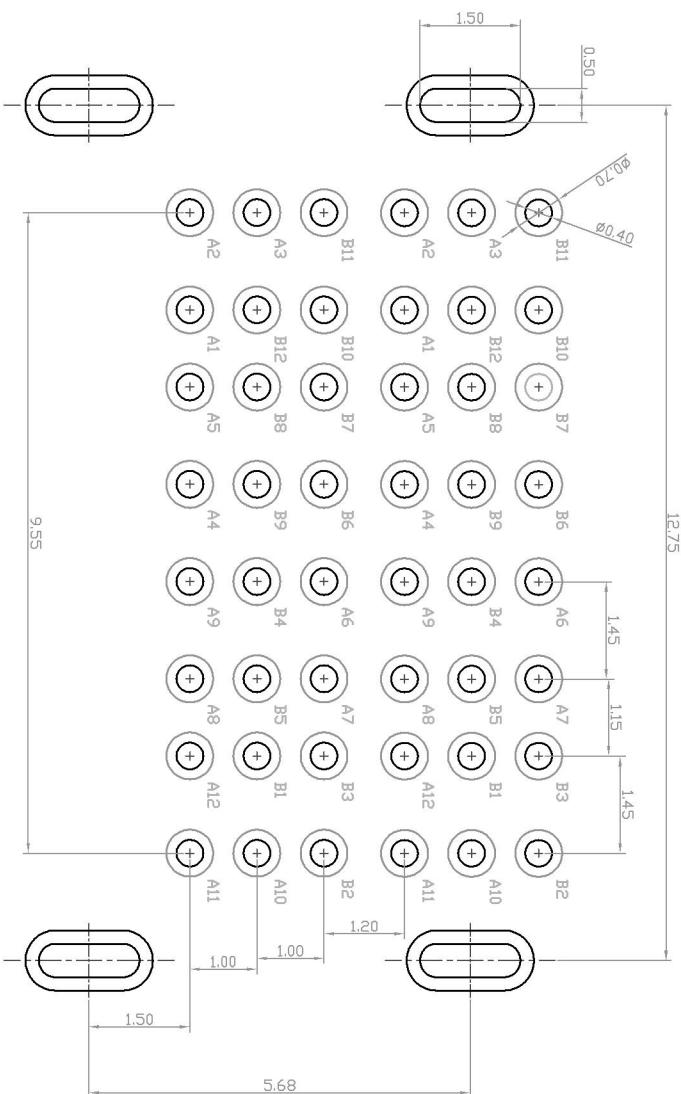
深圳市连欣科技有限公司

品名 (ITEM NO)	TYPE C 24P 板上双层24+24
料号 (PART NO)	XUBF-0336-24B02
型号 (MODEL NO)	N/A

图号 (DWG NO)	版本 (REV)	日期 (DATE)	设计 (DESIGN)	审核 (CHECKED)	核准 (APPROVED)	单位 (UNIT): MM	比例 (SCALE) 1:1	公差 (TOLERANCE) UNSPECIFIED
	A/0	2015.06.09		~				X.X X.XX X.XXX X.XX° X.XX°

REV	MODIFICATION	DRAW	DATE
A.00	新版发行		20201125

USB TYPE-C FULL-FEATURED RECEPTACLE INTERFACE PIN ASSIGNMENTS



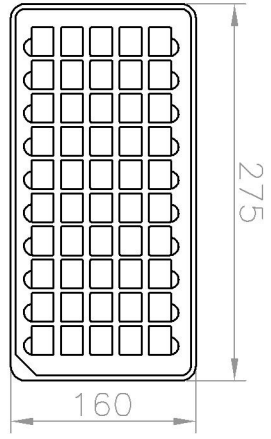
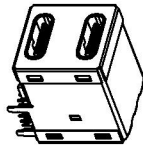
RECOMMENDED PCB LAYOUT(TOP VIEW)
(DEFAULT TOLERANCE:±0.05)

Pin	Signal Name	Description	Pin	Signal Name	Description
A1	GND	Ground return	B12	GND	Ground return
A2	SSTXp1	Positive half of first SuperSpeed TX differential pair	B11	SSRXp1	Positive half of first SuperSpeed RX differential pair
A3	SSTXn1	Negative half of first SuperSpeed TX differential pair	B10	SSRXn1	Negative half of first SuperSpeed RX differential pair
A4	Vbus	Bus Power	B9	Vbus	Bus Power
A5	CC1	Configuration Channel	B8	SRM2	Sideband Use (SBU)
A6	Dp1	Positive half of the USB 2.0 differential pair-Position 1	B7	Dm2	Negative half of the USB 2.0 differential pair-Position 2
A7	Dm1	Negative half of the USB 2.0 differential pair-Position 1	B6	Dp2	Positive half of the USB 2.0 differential pair-Position 2
A8	SRU1	Sideband Use (SBU)	B5	CC2	Configuration Channel
A9	Vbus	Bus Power	B4	Vbus	Bus Power
A10	SSRXn2	Negative half of second SuperSpeed RX differential pair	B3	SSTXn2	Negative half of second SuperSpeed TX differential pair
A11	SSRXp2	Positive half of second SuperSpeed RX differential pair	B2	SSTXp2	Positive half of second SuperSpeed TX differential pair
A12	GND	Ground return	B1	GND	Ground return

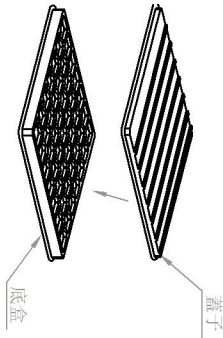
深圳市连欣科技有限公司

品名 (ITEM NO)	TYPE C 24P 板上双/层24+24	图号 (DWG. NO)		单位 (UNIT) : MM
料号 (PART NO)	XUBF-0336-24B02	版本 (REV)	A/0	比例 (SCALE) 1:1
型号 (MODEL NO)	N/A	日期 (DATE)	2015.06.09	公差 TOLERANCE: UNSPECIFIED X.X ±0.30 X.XX ±0.20 X.XXX ±0.10 X° ±5° X.X° ±2°
		设计 (DESIGN)		
		审核 (CHECKED)	~	
		核准 (APPROVED)		

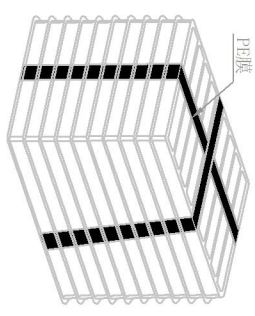
REV	MODIFICATION	DRAW	DATE
A.00	新版发行		20201125



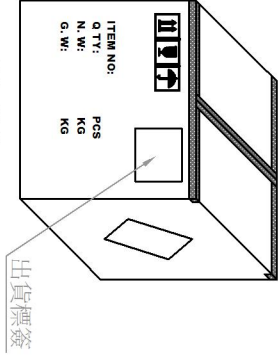
1、將產品整齊擺放脆盤中，共50PCS。



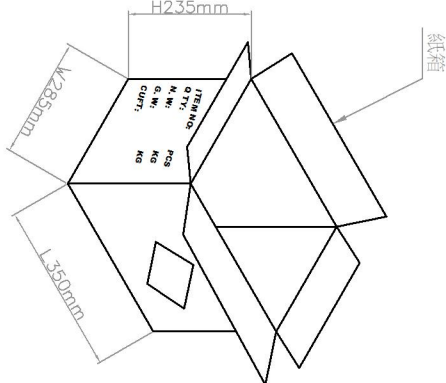
2、裝滿一盤產品後，將蓋子蓋上。



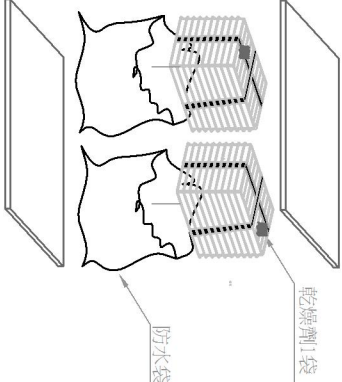
3、將裝滿產品的脆盤疊放10層；然後用打包膜捆綁（共500PCS）。



6、用膠紙工字型封住紙箱，一共1000PCS產品。



5、將產品2捆並非放入紙箱，上下各放一紙板。



4、將每10層捆綁好的產品裝入一個防水袋，加入一袋干燥劑。

- 作業步驟：
- 1、將產品整齊放入脆盤中，共50PCS，再蓋上蓋子。
 - 2、將裝滿50PCS產品的脆盤疊放10盤，用打包膜捆綁。
 - 3、將捆綁好的产品放入防水袋中，再放入1袋乾燥劑，膠帶封口(共700PCS)。
 - 4、在紙箱底先放一個紙板，然後將捆好的产品並非放入紙箱，頂層再放一個紙板。
 - 5、合上紙箱後，再用膠帶工字型將紙箱封口，整箱共 1000PCS產品。
 - 6、貼上出貨標籤，如有零數箱需做標識。
 - 7、紙箱材質尺寸： K=K 350*285*235mm (外徑)
脆盤材質尺寸： PS防靜電 275*160*20mm

深圳市连欣科技有限公司

品名 (ITEM NO)	TYPE C 24P 板上双层24+24	图号 (DWG NO)		单位 (UNIT) : MM
料号 (PART NO)	XUBF-0336-24B02	版本 (REV)	A/0	比例 (SCALE) 1:1
模号 (MODEL NO)	N/A	日期 (DATE)	2015.06.09	公差 (TOLERANCE) UNRESTRICTED
		设计 (DESIGN)		±0.30
		审核 (CHECKED)	~	±0.20
		核准 (APPROVED)		±0.10
				±5°
				±2°