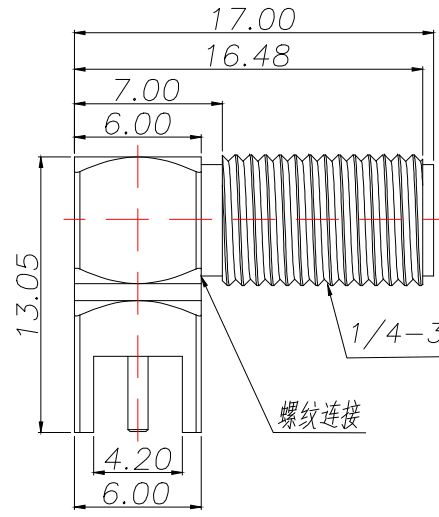
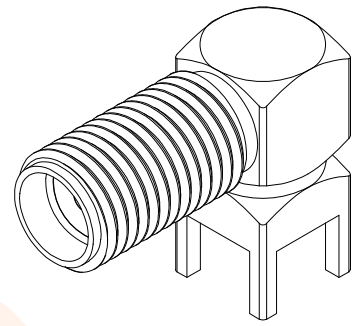
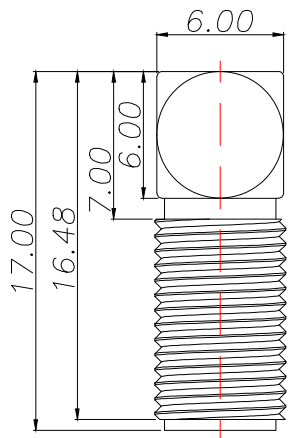
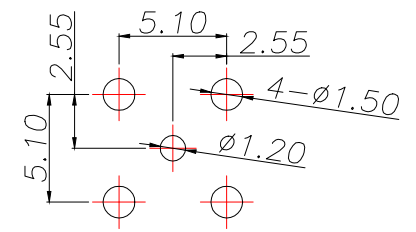
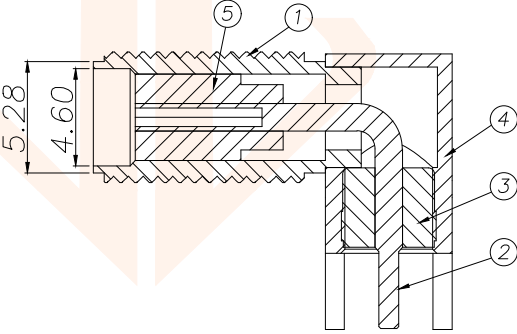
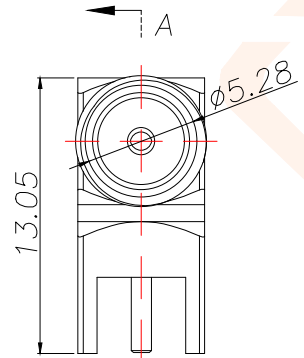




REV.	ECN NO.	DESCRIPTION	DATE	DESIGN

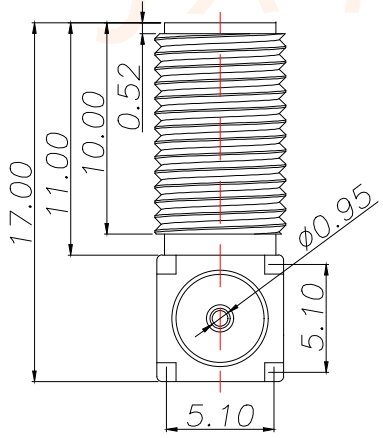


螺纹连接



PCB.WELDING DRAWING (TOLERANCE:±0.05)

Technical requirements	
Characteristic impedance	50Ω
Frequency range	0-6GHZ
Contact resistance	
Inner conductor	≤3mΩ
Outer conductor	≤2mΩ
Insulated resistance	>5000MΩ
Salt spray time	48H
Separation force	>0.28N
Appearance: no shift point burr scratch surface bright, no dirt, no deformation, etc	



1	全螺铜套	1	黄铜	镀金
2	母针	1	黄铜	镀金
3	绝缘体1	1	PTFE	
4	铜座	1	黄铜	镀金
5	绝缘体2	1	PTFE	
序号	名称	数量	材料	备注
TOLERANCE		 深圳聚兴泰电子科技有限公司 Shenzhen Juxingtai Electronic Technology Co., Ltd		
X.:±0.30	X':±5'	PART NO.	TITLE:	
X.X:±0.25	X.X':±1'	ASMA-KWE-L17	弯头-全螺内孔-H13*17-LW	
X.XX:±0.15		DESIGN: Ethan	MANUFACTURE DWG	
UNITS	mm	CHED: Olvia	SCALE	SHEET
MATERILA	---	APPD: Ava	N:A	1/1
FINISH	---			