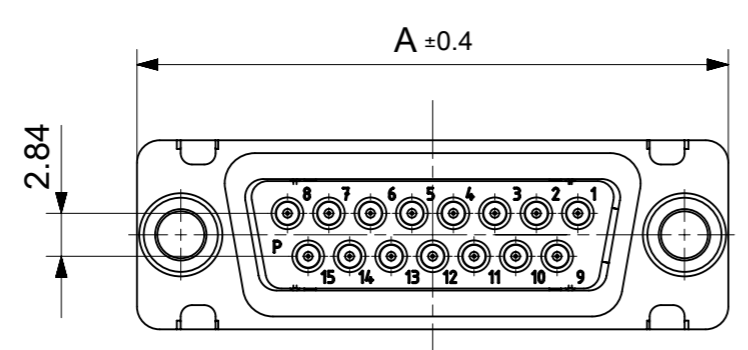
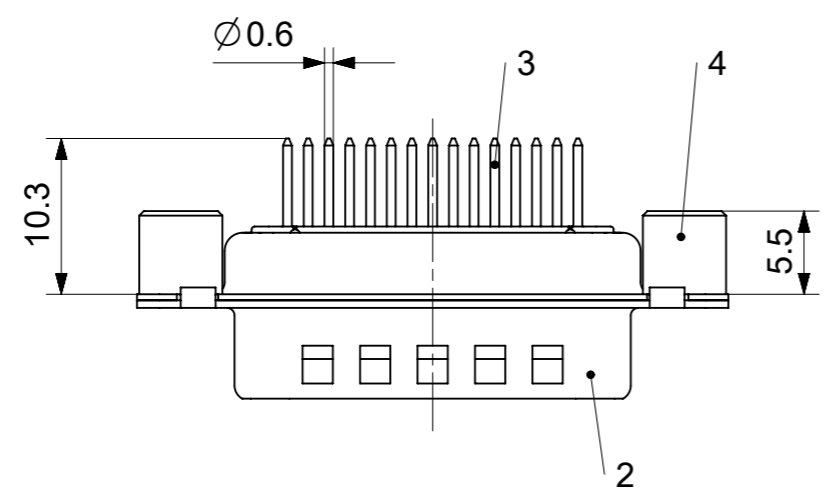
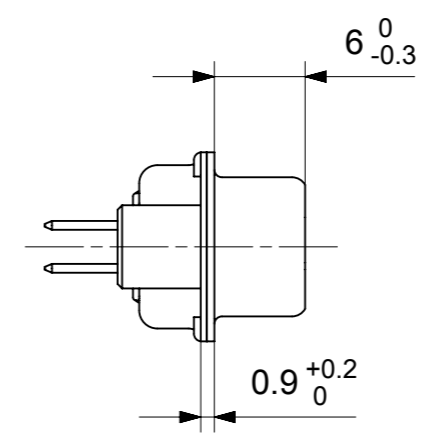
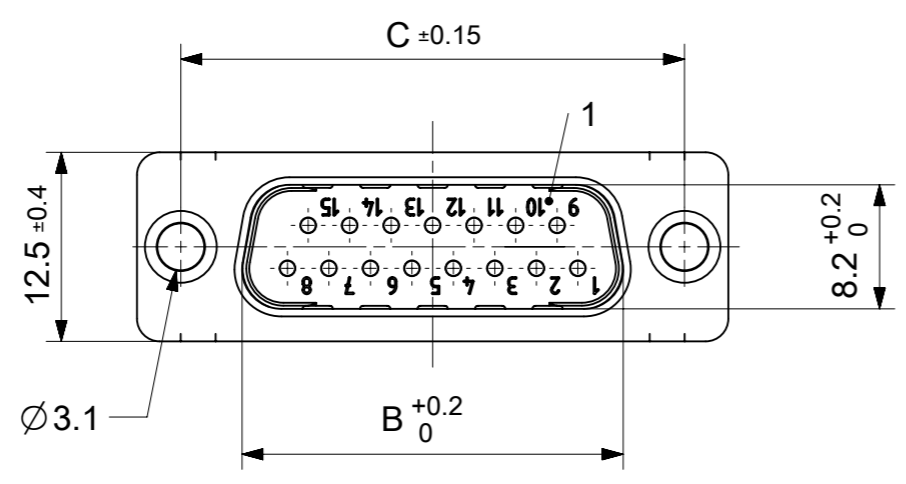


RoHS compliant
by exemption



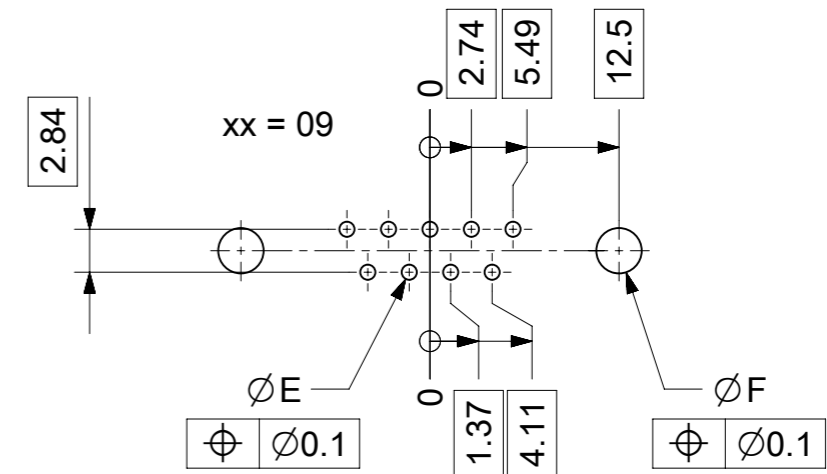
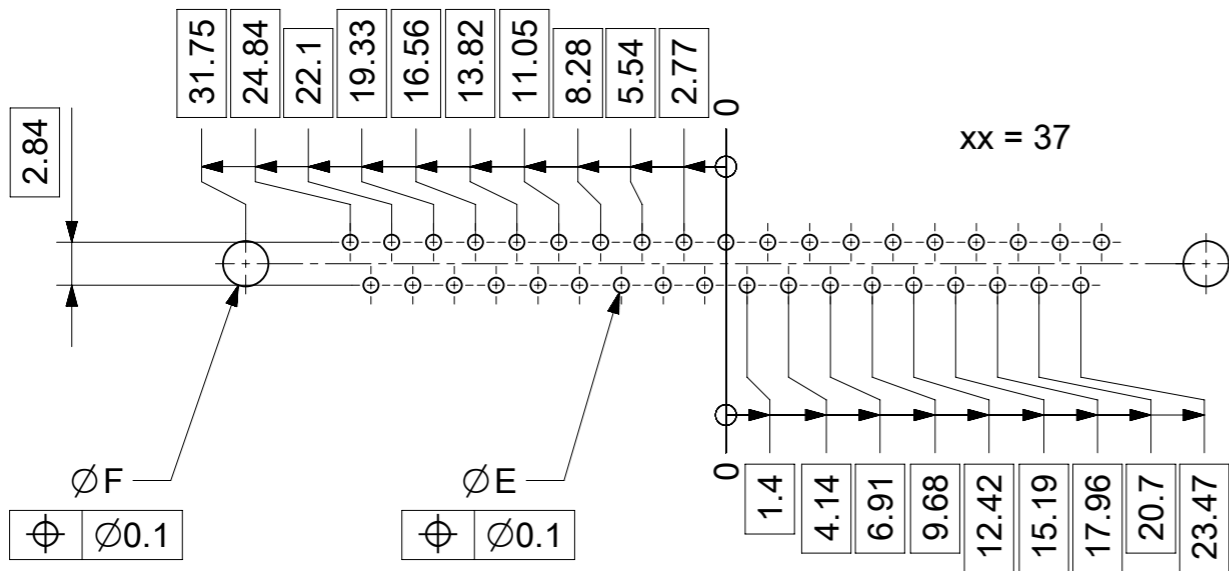
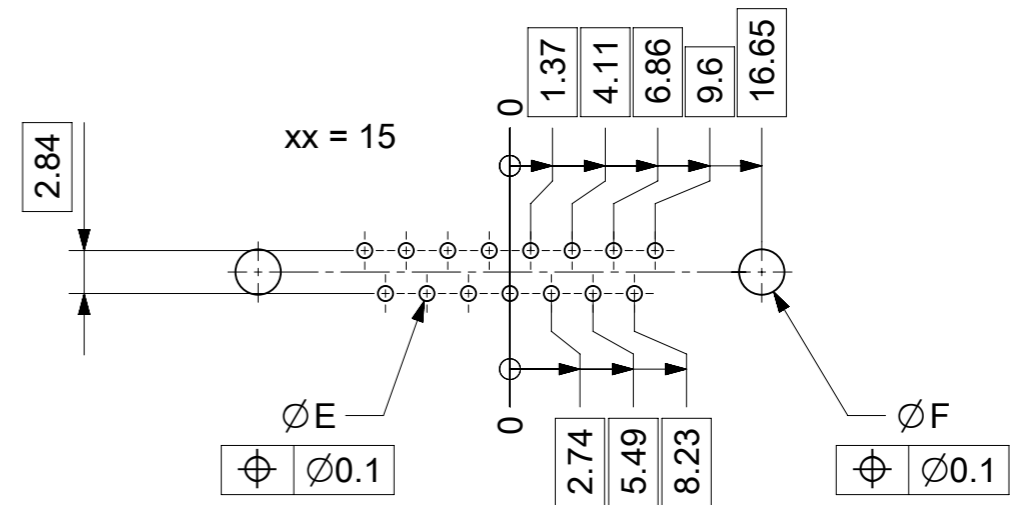
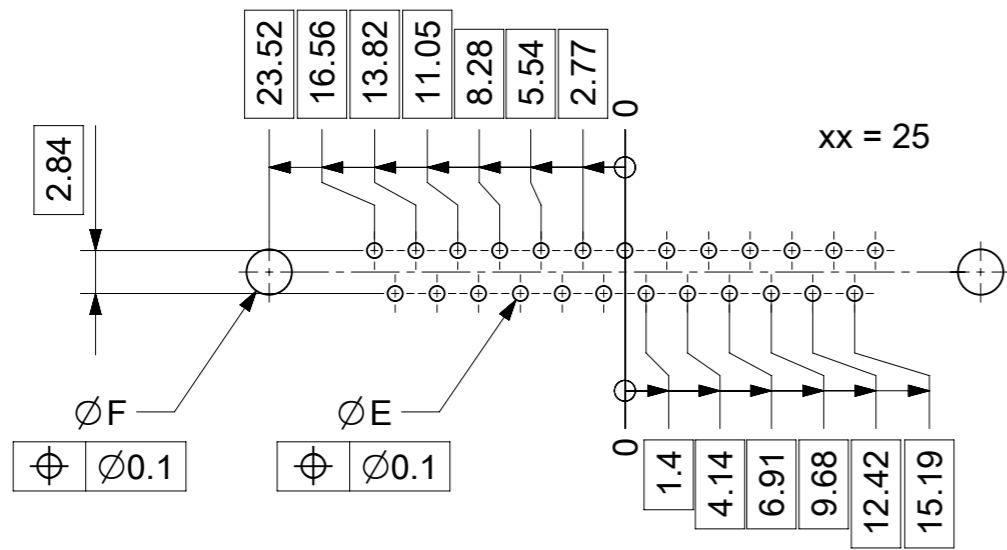
FCT Part number:
Fxx*1)P1y*2)-1423
 e.g. F15P1G1-1423
 *1) xx No. of contacts 09, 15, 25 or 37
 *2) y for performance classes 1, 2 or 3
 (contact cycle for G1/G2/G3 = 500/200/50)

Material Number	xx*1)	y*2)	A[mm]	B[mm]	C[mm]	*E[mm]
1731091990	09	G2	30.8	16.9	25	Ø1
-	15	-	39.1	25.2	33.3	
1731090418	25	G1	53	38.9	47.04	
-	37	-	69.3	55.3	63.5	

*PCB hole patterns ØE see document 2195600023

No.	Pc.	Part	Type Description/Material	Surface plating/Color/Class
4	2	Through hole spacer	Ø3.1 / Steel	tin plated
3	xx	Signal contact	P1 / Brass	G1 / G2
2	1	Shell	Steel	tin plated
1	1	Insulator	PBT (-55°C to +125°C) acc. UL94V-0	white

MEASUREMENTS WITHOUT TOLERANCE ACC TO ISO 2768-m			REPLACEMENT FOR DOCUMENT NUMBER: FxxP1Gy-1423																																																		
FUNCTIONAL SYMBOLS																																																					
THIS DRAWING CONTAINS INFORMATION THAT IS PROPRIETARY TO MOLEX ELECTRONIC TECHNOLOGIES, LLC AND SHOULD NOT BE USED WITHOUT WRITTEN PERMISSION	CURRENT REV DESC:		 FCT D-SUB MINIATURE CONNECTOR																																																		
<table border="1"> <tr> <th>FUNCTIONAL SYMBOLS</th> <th>DIMENSION UNITS</th> <th>SCALE</th> </tr> <tr> <td>∇A = 0</td> <td>mm</td> <td>2:1</td> </tr> <tr> <td colspan="3">GENERAL TOLERANCES (UNLESS SPECIFIED)</td> </tr> <tr> <td>∇E = 0</td> <td colspan="2">ANGULAR TOL ± °</td> </tr> <tr> <td>∇F = 0</td> <td colspan="2">4 PLACES ±</td> </tr> <tr> <td colspan="3">DIVISIONAL SYMBOLS</td> </tr> <tr> <td>3 PLACES ±</td> <td colspan="2">2021/11/26</td> </tr> <tr> <td>2 PLACES ±</td> <td colspan="2">2022/05/11</td> </tr> <tr> <td>1 PLACE ±</td> <td colspan="2">INITIAL REVISION:</td> </tr> <tr> <td>0 PLACES ±</td> <td colspan="2">2021/11/26</td> </tr> <tr> <td colspan="3">DRAFT WHERE APPLICABLE MUST REMAIN WITHIN DIMENSIONS</td> <td>FIRST ANGLE PROJECTION</td> <td>DRAWING</td> <td>SERIES</td> </tr> <tr> <td colspan="3"></td> <td> </td> <td>A3-SIZE</td> <td>173109</td> </tr> </table>	FUNCTIONAL SYMBOLS	DIMENSION UNITS				SCALE	∇A = 0	mm	2:1	GENERAL TOLERANCES (UNLESS SPECIFIED)			∇E = 0	ANGULAR TOL ± °		∇F = 0	4 PLACES ±		DIVISIONAL SYMBOLS			3 PLACES ±	2021/11/26		2 PLACES ±	2022/05/11		1 PLACE ±	INITIAL REVISION:		0 PLACES ±	2021/11/26		DRAFT WHERE APPLICABLE MUST REMAIN WITHIN DIMENSIONS			FIRST ANGLE PROJECTION	DRAWING	SERIES					A3-SIZE	173109	<table border="1"> <tr> <th>DOCUMENT NUMBER</th> <th>DOC TYPE</th> <th>DOC PART</th> <th>REVISION</th> </tr> <tr> <td>1731091990</td> <td>PSD</td> <td>000</td> <td>A</td> </tr> </table>			DOCUMENT NUMBER	DOC TYPE	DOC PART	REVISION	1731091990
FUNCTIONAL SYMBOLS	DIMENSION UNITS	SCALE																																																			
∇A = 0	mm	2:1																																																			
GENERAL TOLERANCES (UNLESS SPECIFIED)																																																					
∇E = 0	ANGULAR TOL ± °																																																				
∇F = 0	4 PLACES ±																																																				
DIVISIONAL SYMBOLS																																																					
3 PLACES ±	2021/11/26																																																				
2 PLACES ±	2022/05/11																																																				
1 PLACE ±	INITIAL REVISION:																																																				
0 PLACES ±	2021/11/26																																																				
DRAFT WHERE APPLICABLE MUST REMAIN WITHIN DIMENSIONS			FIRST ANGLE PROJECTION	DRAWING	SERIES																																																
				A3-SIZE	173109																																																
DOCUMENT NUMBER	DOC TYPE	DOC PART	REVISION																																																		
1731091990	PSD	000	A																																																		
MATERIAL NUMBER			CUSTOMER																																																		
SEE TABLE			GENERAL MARKET																																																		
SHEET NUMBER			1 OF 1																																																		



ØE, ØF see data sheet incl. connector
 ØF connectors with accessories only

MEASUREMENTS WITHOUT TOLERANCE ACC TO ISO 2768-m			REPLACEMENT FOR DOCUMENT NUMBER: AM0023			
THIS DRAWING CONTAINS INFORMATION THAT IS PROPRIETARY TO MOLEX ELECTRONIC TECHNOLOGIES, LLC AND SHOULD NOT BE USED WITHOUT WRITTEN PERMISSION						
FUNCTIONAL SYMBOLS	DIMENSION UNITS	SCALE	CURRENT REV DESC:			
$\nabla_A = 0$	mm	2:1	EC NO: 713905			
$\nabla_E = 0$	GENERAL TOLERANCES (UNLESS SPECIFIED)		DRWN: SKANDB 2022/05/16			
$\nabla_P = 0$	ANGULAR TOL ± °		CHK'D: MTEUBEL 2022/07/12			
DIVISIONAL SYMBOLS	4 PLACES ±		APPR: MTEUBEL 2022/07/12			
	3 PLACES ±		INITIAL REVISION:			
	2 PLACES ±		DRWN: SKANDB 2022/05/16			
	1 PLACE ±		APPR: MTEUBEL 2022/07/12			
	0 PLACES ±		DOCUMENT NUMBER			
DRAFT WHERE APPLICABLE MUST REMAIN WITHIN DIMENSIONS		FIRST ANGLE PROJECTION	DRAWING	SERIES	MATERIAL NUMBER	CUSTOMER
			A3-SIZE	219560	219560	GENERAL MARKET
			PRODUCT CUSTOMER DRAWING		REVISION	
			2195600023		A	
			PSD 000		1 OF 1	