



Connectors > PCB Connectors > Card Edge Connectors > PCI & PCI Express Connectors



Connector System: **Board-to-Board**

Number of Positions: **164**

PCI Generation: **4**

Centerline (Pitch): **1 mm [.039 in]**

Contact Mating Area Plating Material Thickness: **[30 µin]**

Features

Product Type Features

Connector & Contact Terminates To	Printed Circuit Board
Connector System	Board-to-Board
Sealable	No

Configuration Features

Number of Positions	164
PCB Mount Orientation	Vertical
Ejector	Without

Body Features

Primary Product Color	Black
-----------------------	-------

Contact Features

Contact Mating Area Plating Material	Gold
Contact Underplating Material	Nickel
PCB Contact Termination Area Plating Material	Tin
Contact Base Material	Copper Alloy
Contact Current Rating (Max)	1.1 A
	30 µin

Termination Features

Termination Method to PCB	Surface Mount
---------------------------	---------------



Mechanical Attachment

Connector Mounting Type	Board Mount
-------------------------	-------------

Housing Features

Centerline (Pitch)	1 mm [.039 in]
--------------------	----------------

Dimensions

PCB Thickness (Accepted)	1.57 mm
--------------------------	---------

Usage Conditions

Operating Temperature Range	-40 – 85 °C
-----------------------------	-------------

Operation/Application

Circuit Application	Signal
---------------------	--------

Industry Standards

Bus Type	PCI Express
----------	-------------

PCI Generation	4
----------------	---

Packaging Features

Packaging Method	Box & Tray
------------------	------------

Product Compliance

[For compliance documentation, visit the product page on TE.com>](#)

EU RoHS Directive 2011/65/EU	Compliant
EU ELV Directive 2000/53/EC	Compliant
China RoHS 2 Directive MIIT Order No 32, 2016	No Restricted Materials Above Threshold
EU REACH Regulation (EC) No. 1907/2006	Current ECHA Candidate List: JUNE 2024 (241) Candidate List Declared Against: JUNE 2024 (241) Does not contain REACH SVHC
Halogen Content	Low Halogen - Br, Cl, F, I < 900 ppm per homogenous material. Also BFR/CFR/PVC Free
Solder Process Capability	Reflow solder capable to 260°C

Product Compliance Disclaimer

This information is provided based on reasonable inquiry of our suppliers and represents our current actual knowledge based on the information they provided. This information is subject to change. The part numbers that TE has identified as EU RoHS compliant have a maximum concentration of 0.1% by weight in homogenous materials for lead, hexavalent chromium, mercury, PBB, PBDE, DBP, BBP, DEHP, DIBP, and 0.01% for cadmium, or qualify for an exemption to these limits as defined in the Annexes of Directive 2011/65/EU (RoHS2). Finished electrical and electronic equipment products

will be CE marked as required by Directive 2011/65/EU. Components may not be CE marked. Additionally, the part numbers that TE has identified as EU ELV compliant have a maximum concentration of 0.1% by weight in homogenous materials for lead, hexavalent chromium, and mercury, and 0.01% for cadmium, or qualify for an exemption to these limits as defined in the Annexes of Directive 2000/53/EC (ELV). Regarding the REACH Regulation, the information TE provides on SVHC in articles for this part number is based on the latest European Chemicals Agency (ECHA) 'Guidance on requirements for substances in articles' posted at this URL: <https://echa.europa.eu/guidance-documents/guidance-on-reach>

Compatible Parts



TE Part # 1-5147490-0
Next Gen PACE Conn 10 POS 1X2



TE Part # 5-2337939-4
PCIE GEN4 CON,SMT,164POS,30u",
MYLAR,HT




TE Part # 5-2349820-4
PCIEG4,SMT,V,164P,30u,ML,HT,OEW



TE Part # 1-117169-3
CARD GUIDE ECON I



TE Part # 5-650297-1
AMP PACE CONN 10POS 100X200C/L




TE Part # 117249-2
POST F-THRU 100 C/L PLATED



TE Part # 1-1367703-1
R/A AMC Conn,Style B+,SnPb,w/H



TE Part # 1-1367703-2
R/A AMC Conn,Style B+,Sn,w/Hdw



TE Part # 117249-7
POST F-THRU 100 C/L PLATED



TE Part # 118982-1
KEYING PLUG



TE Part # 1367703-2
R/A AMC Conn Style B+,SN



TE Part # 1734774-1
PCI EXP 3.1L 36 POS WHT G/F



TE Part # 2-1367703-1
R/A AMC Conn,Style B+,SnPb,w/Pegs



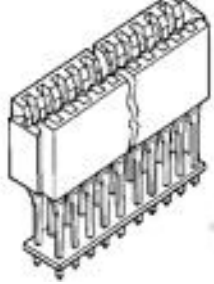
TE Part # 2-1367703-2
R/A AMC Conn,Style B+,Sn,w/Pegs



TE Part # 3-1367703-2
R/A AMC Conn,Style B+,Sn,w/Hdw



TE Part # 3-5147490-2
Next Gen PACE Conn 32 POS 1X2

TE Part # 5-119738-6
AMP PACE CONN 20POS 100X200C/L



TE Part # 1367703-1
R/A AMC Conn, Style B+



TE Part # 3-1367703-1
R/A AMC Conn, Style B+, SnPb, w/Hdw, w/Pegs

Customers Also Bought



TE Part #1-2324271-4
LEFT SEGMENT LGA4189-4 SOCKET-P4 FOR ODM



TE Part #2-2330550-2
SOCKET P4 BOLSTER PLATE ASSY, W/ COVER



TE Part #2-2330551-1
SOCKET P4/P5 BACKPLATE ASSY, STUD 6.02MM



TE Part #2143451-1
SFP+ 1X2 Assy, Sldr Tail, Tray



TE Part #1-2328461-1
280 POS., CONNECTOR ASSEMBLY, SLIVER 2.0




TE Part #2358256-1
SBCE, 2X25P



TE Part #5-2349820-7
PCIEG4, SMT, V, 98P, 30u, ML, HT, OEW



TE Part #5-2371900-8
PCIE G5 CONN, 164P, ASSY, 30°, SLIM, NO RIDGE



TE Part #6364372-4
Std USB Type A, R/A, T/H, Black

Documents

CAD Files

[3D PDF](#)

[3D](#)

Customer View Model

[ENG_CVM_CVM_5-2337939-8_A.2d_dxf.zip](#)

English

Customer View Model

[ENG_CVM_CVM_5-2337939-8_A.3d_igs.zip](#)

English



Customer View Model

[ENG_CVM_CVM_5-2337939-8_A.3d_stp.zip](#)

English

By downloading the CAD file I accept and agree to the [Terms and Conditions](#) of use.

Product Specifications

[Product Specification](#)

English

[Product Specification](#)

English

Agency Approvals

[UL Report](#)

English