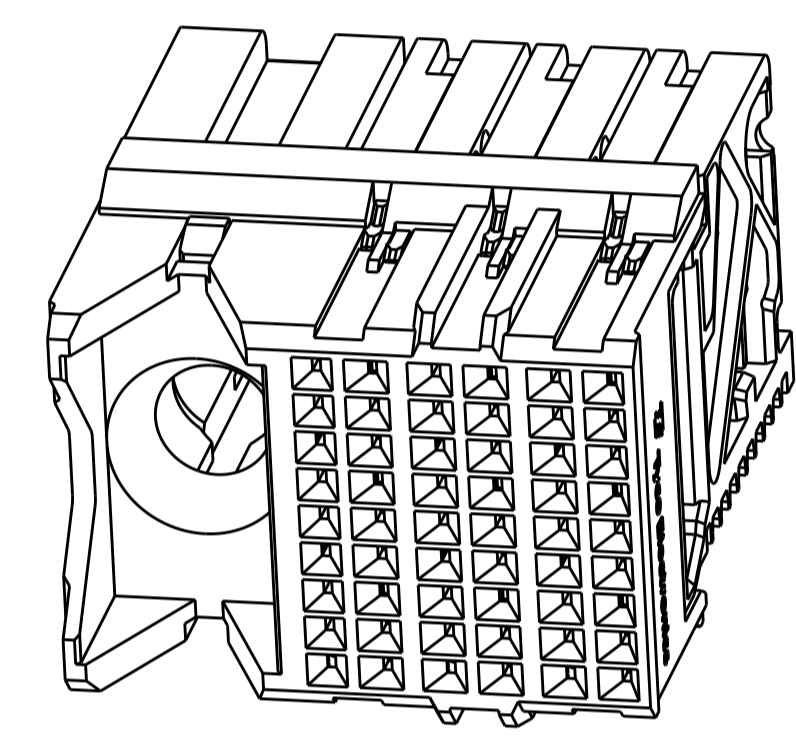
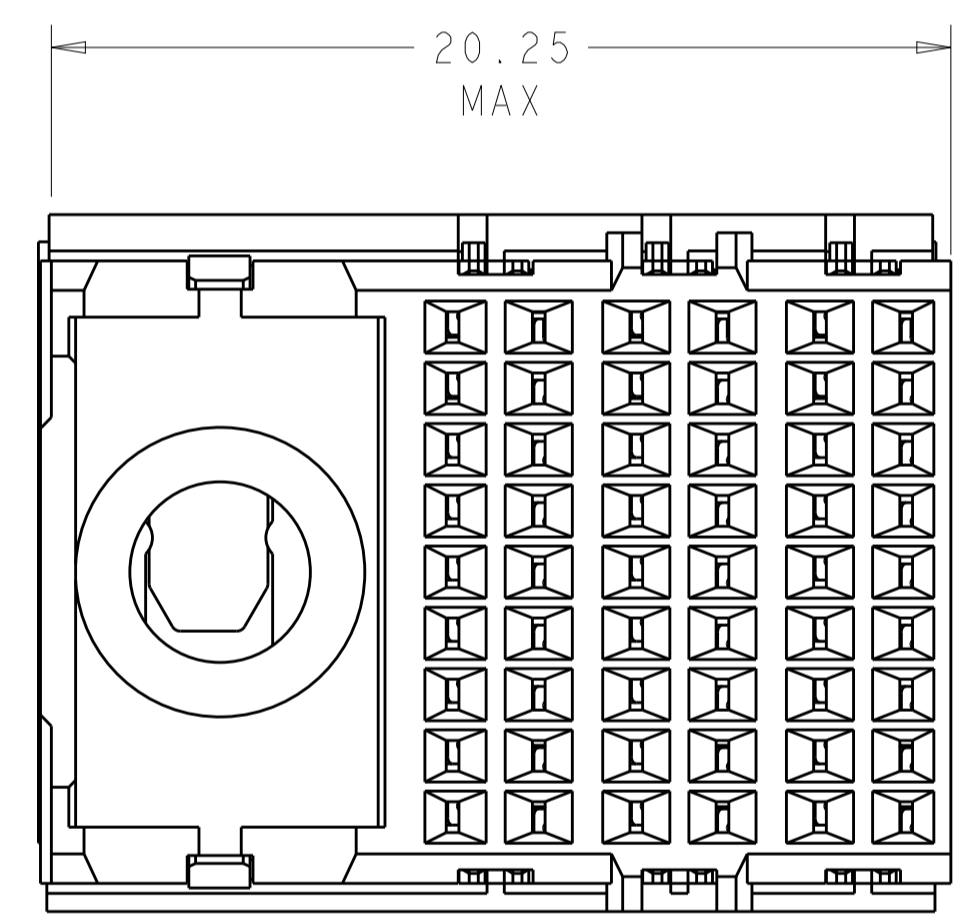
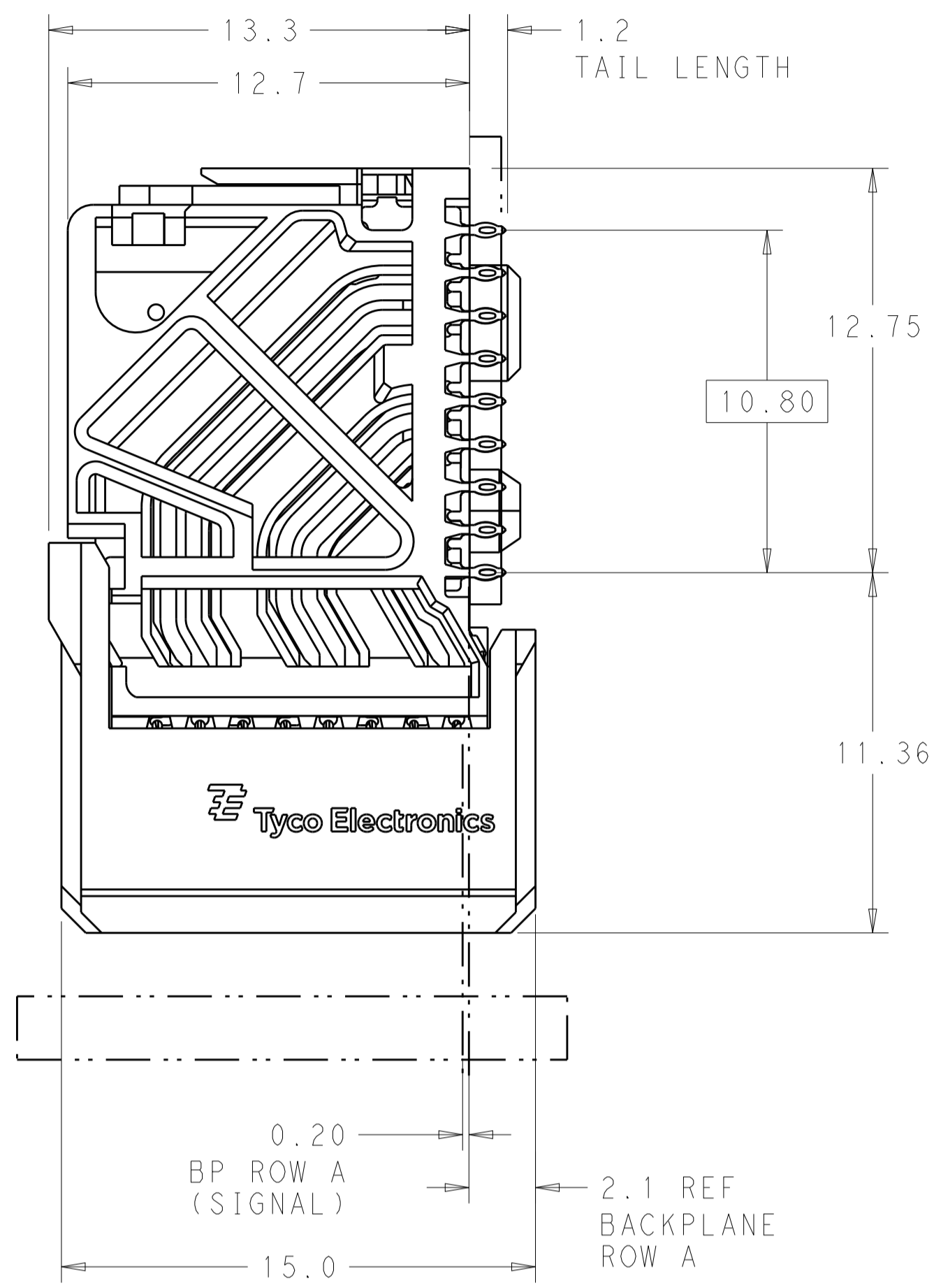
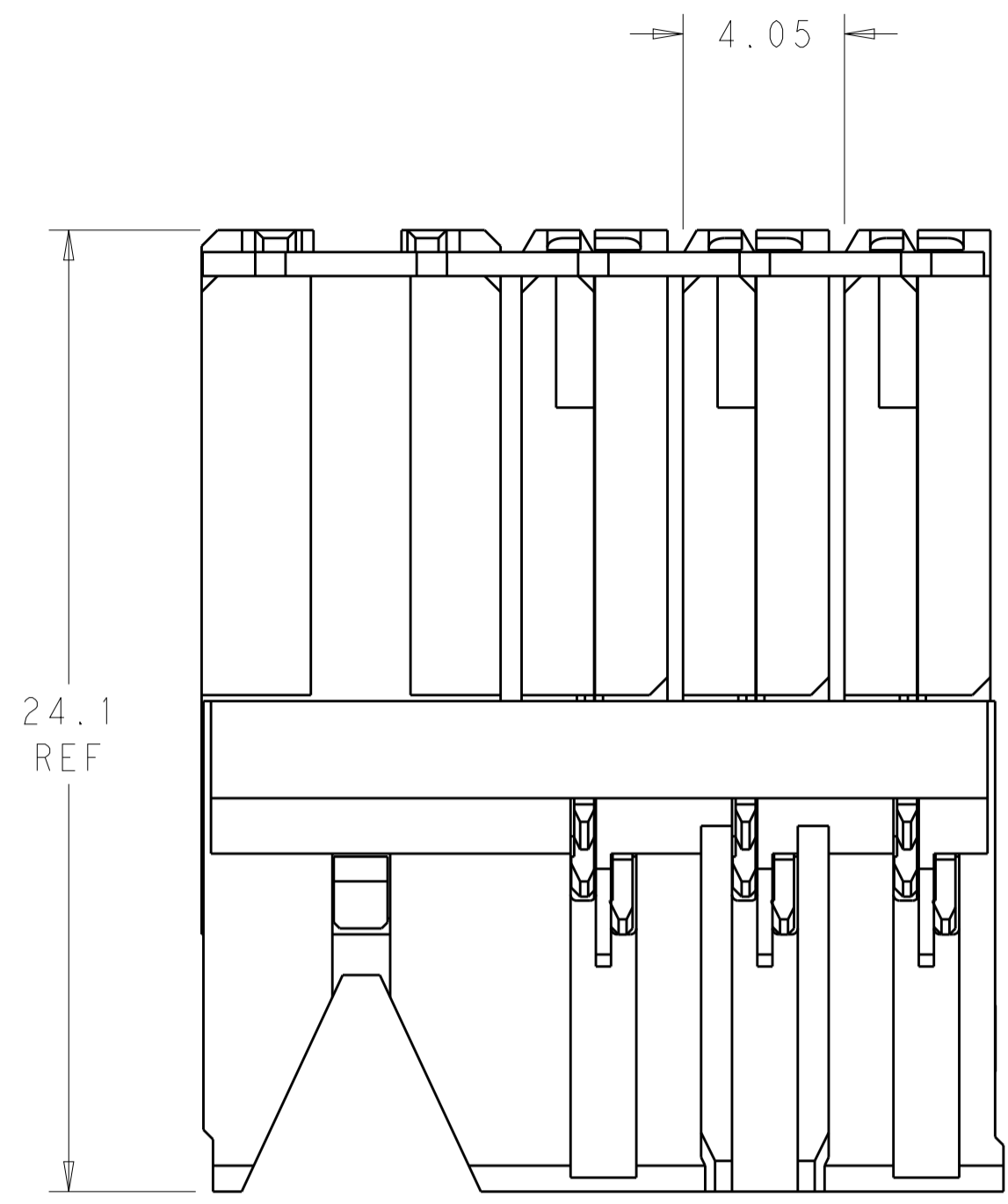
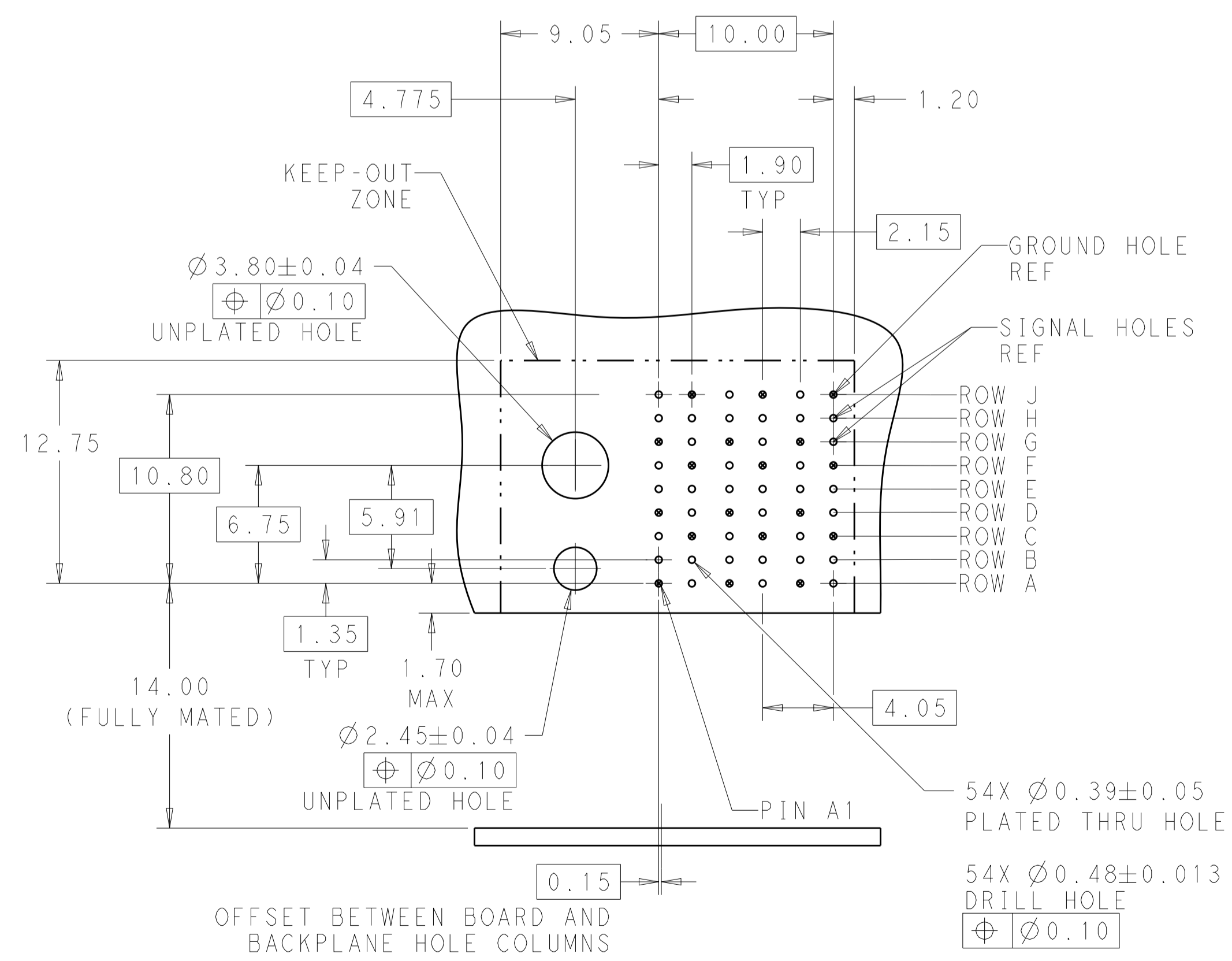


LOC		DIST		REVISIONS			
AD	00	P	LTN	DESCRIPTION	DATE	DWN	APVD
		A		REVISED PER ECO-15-003242	23MAR2015	AP	DD



SCALE 4:1

REFER TO WWW.TE.COM FOR PRODUCT AVAILABILITY



RECOMMENDED PCB LAYOUT  
 MIN BOARD THICKNESS 1.6

- ⚠ MATERIAL:  
HOUSING: LCP, GLASS FILLED, UL94V-0.  
TERMINALS: HIGH PERFORMANCE COPPER ALLOY.
- ⚠ FINISH:  
30µ" SELECTIVE GOLD IN CONTACT AREA. SELECTIVE TIN ON PCB TAILS, NICKEL OVERALL.
- ⚠ FINISH:  
30µ" SELECTIVE GOLD IN CONTACT AREA. SELECTIVE TIN-LEAD ON PCB TAILS, NICKEL OVERALL.
- 4. CONNECTORS SUPPLIED WITH MOUNTING SCREWS.

NONE	⚠	2132422-5
NONE	⚠	2132422-1
KEY POSITION	FINISH	PART NUMBER

THIS DRAWING IS A CONTROLLED DOCUMENT.		DWN	21JUN2011	<b>TE</b> TE Connectivity
DIMENSIONS:		CHK	21JUN2011	
mm		APVD	21JUN2011	
TOLERANCES UNLESS OTHERWISE SPECIFIED:		NAME		
0 PLC	±	IMPACT, ORTHOGONAL, 3 PAIR, DAUGHTERCARD, 6 COLUMN, LEFT GUIDED, SIGNAL MODULE, 0.39 EYELET		
1 PLC	±0.25	PRODUCT SPEC		
2 PLC	±0.15	APPLICATION SPEC		
3 PLC	±	SIZE		
4 PLC	±	CAGE CODE		
ANGLES	±	DRAWING NO		
MATERIAL	FINISH	WEIGHT		
SEE TABLE	SEE TABLE	A100779C=2132422		
Customer Drawing		SCALE	6:1	SHEET 1 OF 1
		REV		A