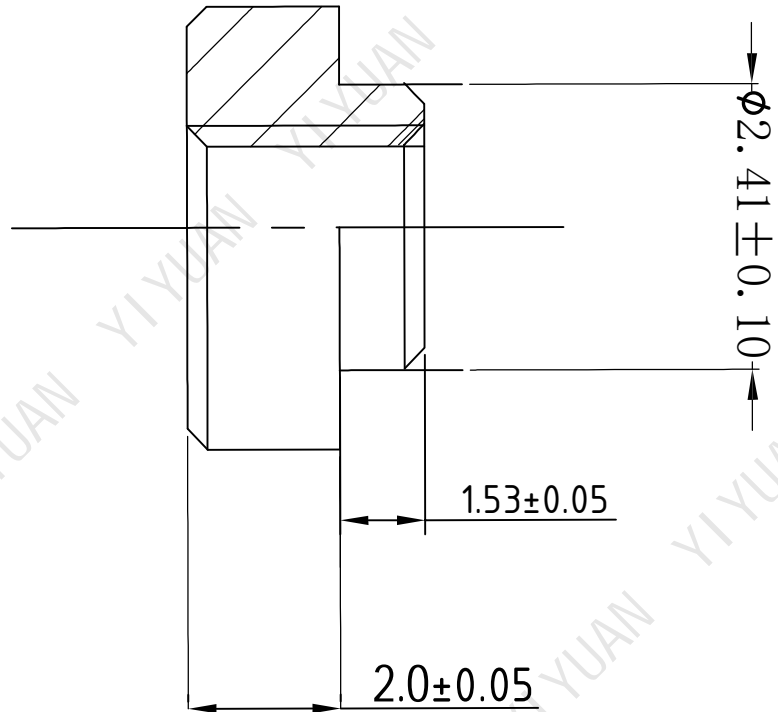
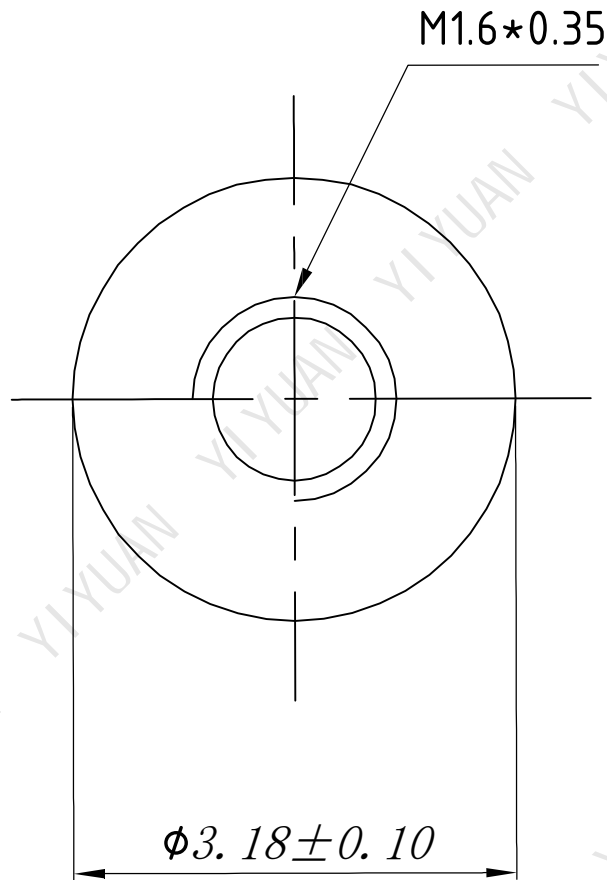


版本	变更内容	工程确认	日期



NOTES:

1. Material: Cu C3604;
2. Surface Treatment: Tin Matte 2-3um over Nickel 2-3um;
3. Remove all burrs and sharpe angle . product is clean;
- 4 .Packaged on 13" recyclable reels, Tape width is 24mm Supplied with polyamide patch for vacuum pick up, Reels conform to EIA-481 ;
5. RoHS Compliant.

 <b>深圳市怡远科技有限公司</b> SHENZHEN YIYUAN TECHNOLOGY CO., LTD	页码 (SHEET)	1/1	单位 (UNIT): MM
	版本 (REV)	A1	比例 (SCALE)
	日期 (DATE)	2021. 10. 12	 未注公差 TOLERANCE UNSPECIFIED
	品名 (ITEM NO)	M1. 6x3. 18xL2. 0+1. 53 C3604 NI+SN	X. $\pm 0.20$ X* $\pm 4^{\circ}$
	料号 (PART NO)	SMTSOM1. 620BTR	.X $\pm 0.10$ .X* $\pm 2^{\circ}$
图号 (DWG NO)		核准 (APPROVED)	ROG ZHAO
		设计 (DESIGN)	LUO
		审核 (CHECKED)	ROGER LI
		日期 (DATE)	2021. 10. 12

These drawings and specifications are Shenzhen Yiyuan Technology Co Ltd. The property should not be copied. Without Shenzhen Yiyuan Technology Co. Ltd. Prior written consent to copy or use in any way. Email at info@yiyuanswitches.com