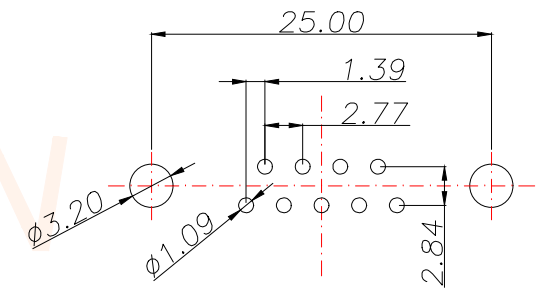
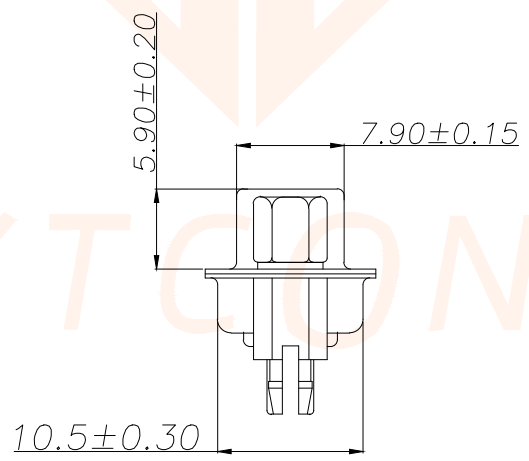
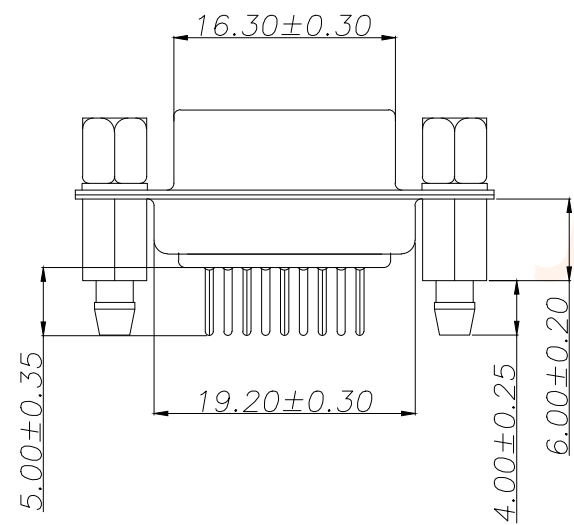
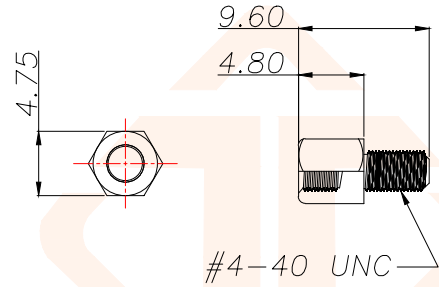
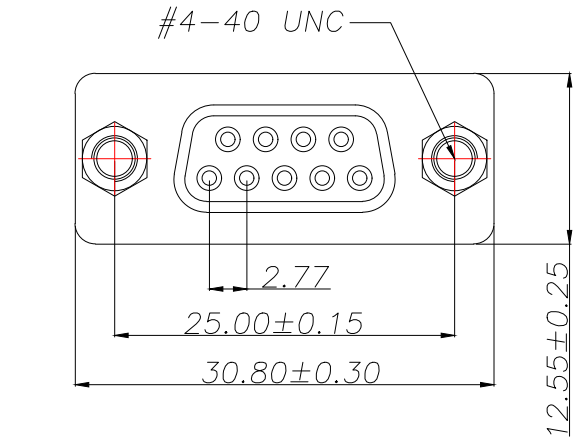




REV.	ECN NO.	DESCRIPTION	DATE	DESIGN



RECOMMEND PCB LAYOUT (T=1.6)
PCB TOLERANCE: ±0.05

-, MATERIAL:

1. Insulator: PBT+30% Glass Fiber
2. Contact: Brass
3. Contact Plated: Gold Flash over Tin Or Glod Plated Or Tin Plated
4. Shell: Steel, Nickel Plated

=, SPECIFICATION:

1. Current Rating: 5 AMPS
2. Insulation Resistance: 100MΩ MIN. At 500VDC
3. Dielectric Strength: 500V for One minute
4. Operation Temperature: -55° C ~ +105° C.

* 【胶芯颜色、防火要求、环保要求及电镀规格 依据客户实际订单要求为准】

TOLERANCE		深圳聚兴泰电子科技有限公司 Shenzhen Juxingtai Electronic Technology Co., Ltd		
.X±0.30	X.'±5°	PART NO.	TITLE:	
.XX±0.25	X.X'±2°	D-SUB-DMP9PF-F000	DP9F 插板镀金叉锁螺丝	
.XXX±0.15	X.XX'±1°	DESIGN: Ethan	MANUFACTURE DWG	
UNITS	mm	CHED: Olvia	SCALE SHEET N:A 1/1	
MATERILA	---	APPD: Ava		
FINISH	---			