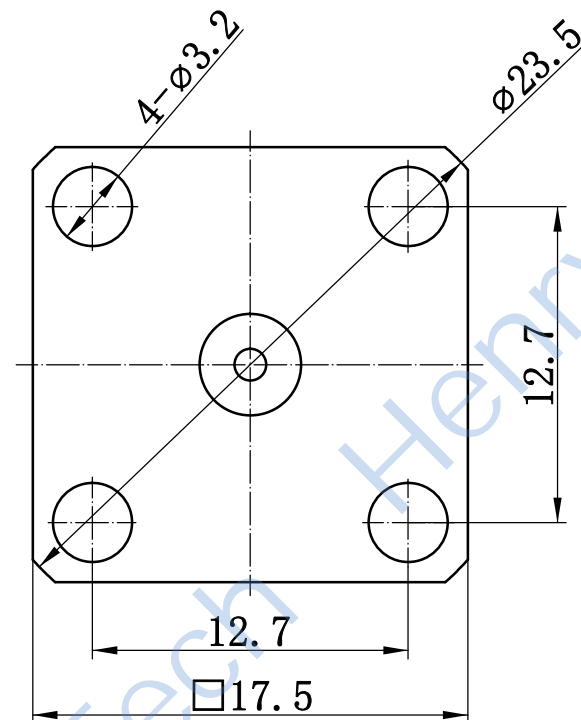
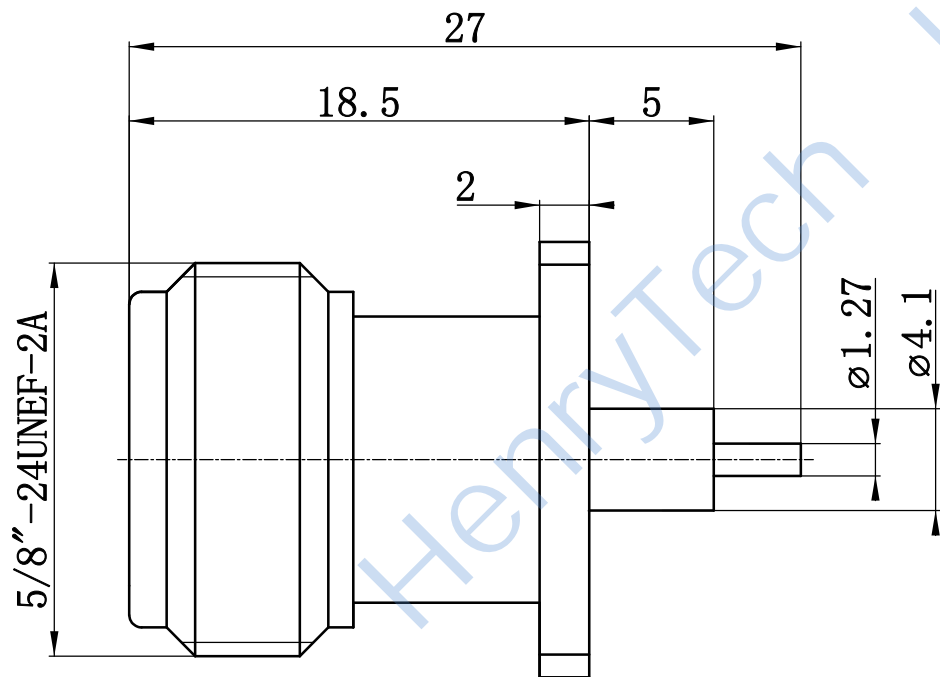


This document contains proprietary information and such information may not be disclosed to others for any purposes, not used for sales/marketing/procurement purposes without written permission

REV	DESCRIPTION OF REVISION	ECN NO.	BY	DATE	APPROVED
A	Initial Release	—	H.wei	19/03/17	19/03/17



1 Electrical

- 1.1 Impedance 50 Ω
- 1.2 Frequency DC-11GHz
- 1.3 Dielectric withstanding voltage 1500V(volts RMS)
- 1.4 Center contact resistance ≤ 1M Ω
- 1.5 Outer contact resistance ≤ 0.2M Ω
- 1.6 Insulation resistance: ≥5000M Ω

2 Environmental&Mechanical



- 2.1 Temperature range -55℃~125℃
- 2.2 RoHs Compliant
- 2.3 Durability >500 cycles

3 Materials&Finish

- 3.1 Body: Brass, Nickel-plated
- 3.2 Insulator: Teflon
- 3.3 Contact Pin: Bronze, gold plated

Notes:

- 1. ALL SPECIFICATIONS ARE SUBJECT TO CHANGE NOTICE AT ANY TIME
- 2. CUSTOMER OUTLINE DRAWING FOR REFERENCE ONLY

DRAWN: H.wei 19/03/17	TITLE:	
ENGINEER: L.yu 19/03/17	RF Coaxial Connector	
APPROVED: W.yi 19/03/17	N Female Straight Flange Connector	 DIMENSION IN MILLIMETERS (mm)
TOLERANCES UNLESS OTHERWISE SPECIFIED X ±0.50 X ±0.20 XX ±0.10 ANGLES ±1°	PART NO: HL-N-KFD1005	