

RV series

■ 特性 Features

- 105°C2000H 标准品 105 °C 2000H standard
- 适用于高密度表面安装 Suitable for High-Density Surface Mounting
- 高稳定性和可靠性 High Stability and Reliability



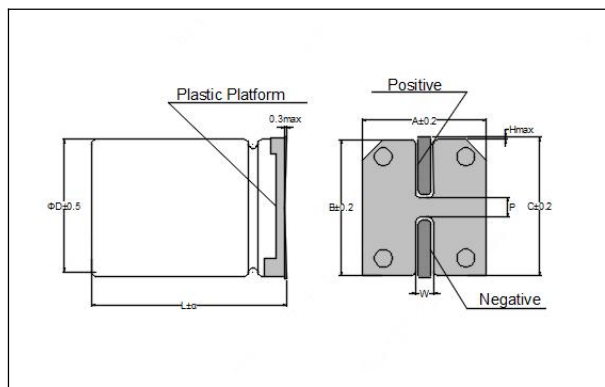
■ 仕様 Specifications

项目 Item	条件 Condition	性能 Performance								
使用温度范围 Operating Temperature Range	-	-40°C~+105°C								
额定电压范围 Rated Voltage Range	-	6.3~100V								
额定静容量范围 Rated Capacitance Range	-	1.0~1500μF								
额定静容量容许差 Capacitance Tolerance	120Hz, 20°C	±20%								
漏电流 Leakage current	施加额定电压 2 分钟后 After applying rated voltage for 2 minutes	I ≤ 0.01CV 或 3μA (以较大值为准) I ≤ 0.01CV or 3μA (whichever is greater)								
额定电压 Rated Voltage(V)	-	6.3	10	16	25	35	50	63	100	
损失角正切值 Dissipation Factor	120Hz, 20°C (Max.)	tan δ	0.30	0.24	0.20	0.16	0.14	0.14	0.14	0.14
		对于超过 1000μF 的产品, 每增加 1000μF, 其值便随之增加 0.02 For products exceeding 1000μF, the value increases by 0.02 per additional 1000μF.								
温度特性 Temperature Characteristics	阻抗率 Impedance Ratio(Max.)	$Z_{(-25^{\circ}\text{C})}/Z_{(+20^{\circ}\text{C})}$	4	3	2	2	2	2	2	3
		$Z_{(-40^{\circ}\text{C})}/Z_{(+20^{\circ}\text{C})}$	10	8	6	5	5	5	5	6
耐久性 Endurance	在 105°C 下, 连续施加额定电压 2000 小时后, 满足以下项目 Under 105°C, apply rated voltage for 2000 hours, The capacitors shall meet the following requirements.									
	静容量变化率 Capacitance Change	初始值的 ±30% 以内 ≤ ±30% of the initial value.								
	损失角正切值 Dissipation Factor	规格值 300% 以下 ≤ 300% of initial specified value.								
	漏电流 Leakage Current	规格值以下 ≤ Initial specified value.								

RV series

尺寸图 Dimensions

(Unit: mm)

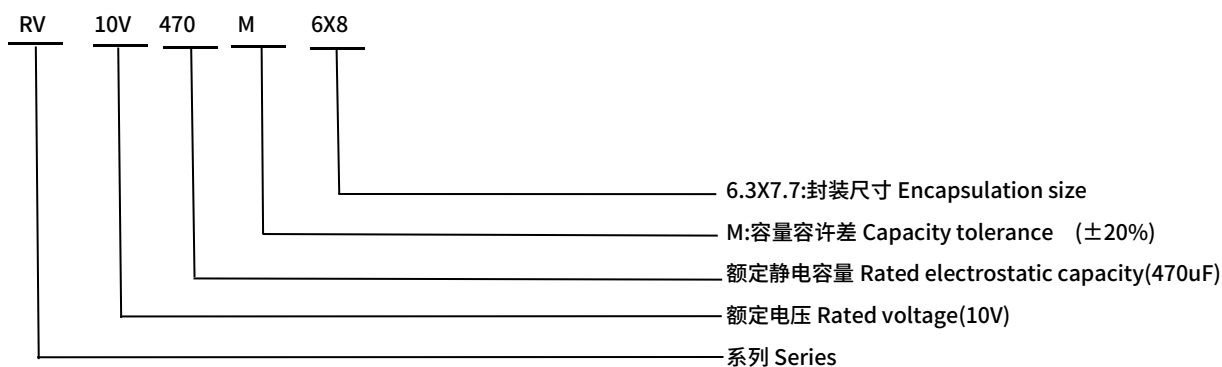


D	L	A	B	C	P	α	W
4	5.7	4.3	4.3	5.0	1.0	± 0.3	0.5-0.8
5	5.7	5.3	5.3	6.0	1.5	± 0.3	0.5-0.8
6.3	5.7	6.6	6.6	7.3	2.0	± 0.3	0.5-0.8
6.3	7.7	6.6	6.6	7.3	2.0	± 0.3	0.5-0.8
8.0	10.5	8.3	8.3	9.0	3.1	± 0.5	0.7-1.2
10.0	10.5	10.3	10.3	11.0	4.7	± 0.5	0.7-1.2

纹波电流速查表 Ripple Current Quick Reference Table:

频率 Freq.	50Hz	120Hz	300Hz	1kHz	10kHz Up
容值 Cap.					
1~10 μ F	0.60	1.0	1.15	1.25	1.40
22~1500 μ F	0.75	1.0	1.10	1.20	1.35

品号编码体系 Part Number Coding System (Example: 10V470 μ F)



注释: 型号中 R 表示小数点, 如 4R7 表示 4.7 μ F

Note: "R" in the model number denotes a decimal point (e.g., 4R7 = 4.7 μ F)

RV series

■ 电气特性 Electrical characteristics

额定电压 Rated Voltage(V)	额定静电容量 Rated Capacitance(μ F)	铝壳尺寸 Case Size Φ DXL(mm)	漏电流 Leakage current (μ A,2min)	额定纹波电流 Rated Ripple Current (mA,105°C,120Hz)	损失角 正切值 tan δ	品号 Part Number
6.3	47	4X5.4	3	25	0.3	RV6.3V47M4X5
	100	5X5.4	6.3	39	0.3	RV6.3V100M5X5
	820	8X10.5	51.6	230	0.3	RV6.3V820M8X10
	1000	8X10.5	63	230	0.3	RV6.3V1000M8X10
10	47	4X5.4	4.7	25	0.24	RV10V47M4X5
	100	5X5.4	10	39	0.24	RV10V100M5X5
	220	6.3X5.4	22	85	0.24	RV10V220M6X5
	330	6.3X7.7	33	105	0.24	RV10V330M6X8
	470	6.3X7.7	47	120	0.24	RV10V470M6X8
	470	8X6.5	47	105	0.24	RV10V470M8X6
	1000	8X10.5	100	230	0.24	RV10V1000M8X10
16	10	4X5.4	3	18	0.2	RV16V10M4X5
	22	4X5.4	3.52	20	0.2	RV16V22M4X5
	33	4X5.4	5.28	22	0.2	RV16V33M4X5
	47	5X5.4	7.52	31	0.2	RV16V47M5X5
	100	6.3X5.4	16	60	0.2	RV16V100M6X5
	100	5X5.4	16	39	0.2	RV16V100M5X5
	220	6.3X7.7	35.2	105	0.2	RV16V220M6X8
	220	6.3X5.4	35.2	85	0.2	RV16V220M6X5
	220	8X6.5	35.2	85	0.2	RV16V220M8X6
	330	6.3X7.7	52.8	105	0.2	RV16V330M6X8
	470	8X10.5	75.2	230	0.2	RV16V470M8X10
	470	6.3X7.7	75.2	145	0.2	RV16V470M6X8
	1000	10X10.5	160	347	0.2	RV16V1000M10X10
25	10	4X5.4	3	14	0.16	RV25V10M4X5
	22	5X5.4	5.5	25	0.16	RV25V22M5X5
	47	5X5.4	11.75	31	0.16	RV25V47M5X5
	47	6.3X5.4	11.75	48	0.16	RV25V47M6X5
	68	6.3X5.4	17	48	0.16	RV25V68M6X5
	100	6.3X7.7	25	65	0.16	RV25V100M6X8
	100	6.3X5.4	25	60	0.16	RV25V100M6X5
	220	8X10.5	55	175	0.16	RV25V220M8X10
	220	6.3X7.7	55	105	0.16	RV25V220M6X8

RV series

额定电压 Rated Voltage(V)	额定静电容量 Rated Capacitance(μ F)	铝壳尺寸 Case Size Φ DXL(mm)	漏电流 Leakage current (μ A,2min)	额定纹波电流 Rated Ripple Current (mA,105°C,120Hz)	损失角 正切值 tan δ	品号 Part Number
25	330	6X7.7	82.5	100	0.16	RV25V330M6X8
	330	8X10.5	82.5	220	0.16	RV25V330M8X10
	470	8X10.5	117.5	230	0.16	RV25V470M8X10
35	10	4X5.4	3.5	14	0.14	RV35V10M4X5
	22	5X5.4	7.7	28	0.14	RV35V22M5X5
	33	6.3X5.4	11.55	38	0.14	RV35V33M6X5
	33	5X5.4	11.55	22	0.14	RV35V33M5X5
	47	6.3X5.4	16.4	50	0.14	RV35V47M6X5
	47	5X5.4	16.45	31	0.14	RV35V47M5X5
	100	6.3X7.7	35	84	0.14	RV35V100M6X8
	100	6.3X5.4	35	60	0.14	RV35V100M6X5
	100	8X6.5	35	70	0.14	RV35V100M8X6
	120	6.3X7.7	42	91	0.14	RV35V120M6X8
	150	6.3X7.7	52.5	100	0.14	RV35V150M6X8
	220	6.3X7.7	220	100	0.14	RV35V220M6X8
	220	8X10.5	77	190	0.14	RV35V220M8X10
	470	8X10.5	164.5	190	0.14	RV35V470M8X10
	470	10X10.5	164.5	286	0.14	RV35V470M10X10
50	1	4X5.4	3	7	0.14	RV50V1M4X5
	2.2	4X5.4	3	11	0.14	RV50V2R2M4X5
	3.3	4X5.4	3	13	0.14	RV50V3R3M4X5
	4.7	4X5.4	3	13	0.14	RV50V4R7M4X5
	6.8	5X5.4	3.4	16	0.14	RV50V6R8M5X5
	10	5X5.4	5	21	0.14	RV50V10M5X5
	10	6.3X5.4	5	24	0.14	RV50V10M6X5
	22	6.3X5.4	11	42	0.14	RV50V22M6X5
	47	6.3X7.7	23.5	63	0.14	RV50V47M6X8
	47	6.3X5.4	23.5	50	0.14	RV50V47M6X5
	47	8X6.5	23.5	48	0.14	RV50V47M8X6
	68	8X6.5	34	48	0.14	RV50V68M8X6
	100	8X10.5	50	140	0.14	RV50V100M8X10
	100	6.3X7.7	50	80	0.14	RV50V100M6X8
	220	10X10.5	110	220	0.14	RV50V220M10X10
330	10X10.5	165	247	0.14	RV50V330M10X10	
63	10	6.3X5.4	6.3	24	0.14	RV63V10M6X5

RV series

额定电压 Rated Voltage(V)	额定静容量 Rated Capacitance(μ F)	铝壳尺寸 Case Size Φ DXL(mm)	漏电流 Leakage current (μ A,2min)	额定纹波电流 Rated Ripple Current (mA,105°C,120Hz)	损失角 正切值 tan δ	品号 Part Number
63	22	6.3X5.4	13.86	28	0.14	RV63V22M6X5
	22	6.3X7.7	13.86	42	0.14	RV63V22M6X8
	22	8X6.5	13.8	49	0.14	RV63V22M8X6
	47	6.3X7.7	29.61	63	0.14	RV63V47M6X8
	100	8X10.5	63	140	0.14	RV63V100M8X10
	100	10X10.5	63	200	0.14	RV63V100M10X10
	220	10X10.5	138.6	230	0.14	RV63V220M10X10
100	2.2	5X5.4	3	13	0.14	RV100V2.2M5X5
	4.7	5X5.4	4.7	16	0.14	RV100V4R7M5X5
	4.7	6.3X5.4	4.7	21	0.14	RV100V4R7M6X5
	10	6.3X5.4	10	24	0.14	RV100V10M6X5
	10	6.3X7.7	10	35	0.14	RV100V10M6X8
	22	8X10.5	22	84	0.14	RV100V22M8X10
	22	6.3X7.7	22	35	0.14	RV100V22M6X8
	47	8X10.5	47	119	0.14	RV100V47M8X10