

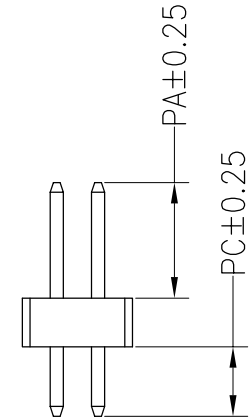
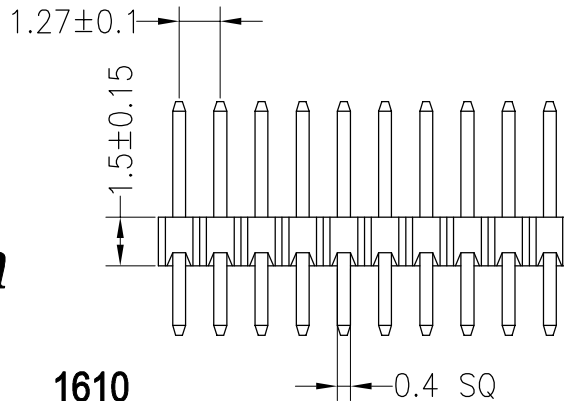
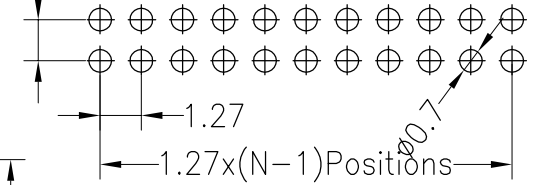
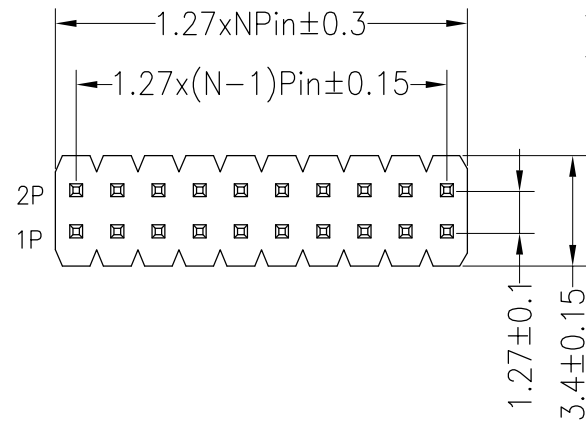
RoHS

SPECIFICATIONS

Rated Current:1.0AMP
 Contact Resistance:20mΩ Max
 Withstand Voltage:500V AC/DC
 Insulation Resistance:1000MΩ Min
 Operation Temperature:-40°C to +105°C

Contact Material:Brass
 Contact Plating:Au Over Ni
 Insulator Material:Polyester(UL94V-0)
 Standard: PA6T
 Max.Processing Temp: 230°C for 30-60 seconds
 (260°C for 10 seconds)

Recommended P.C.B Layout(Top Side)
 (PCB BOARD TOLERANCE±0.05)



Ordering Information

P 1 B 2 06 1 5 00 X 1610

产品类型 P=排针
 间距 1=1.27
 塑胶高度 B=2.0
 排数 2=双排
 单排PIN数 1~40P
 产品形态 1=DIP
 塑胶材料 5=PA6T
 电镀厚度 00=常规
 01=1u"
 02=2u"
 03=3u"
 包装方式 1=管装
 2=卷装
 3=盘装
 4=袋装
 5=盒装
 序列号

Dimension antitheses list			
ITEM	PA	PC	L
Alternate	2.75	2.75	7.0

深圳市连盛精密连接器有限公司

OPERATION		DRAW		SCALE		FIT	
X.X	±0.30			UNIT	mm	PART NO. 1010100177	
X.XX	±0.20	CHECK		SIZE	A4		
X.XXX	±0.10			SHEET	1/1		
Angle	±3°	APPROVE		PROJ.	☉		
REV	DATE	MODIFICATION DESCRIPTION	CHANGE	DIM	TOL	TITLE: 1.27PH H=1.5 2*6P DIP PA2.75 PC2.75 L=7.0 AU0.8U PA6T	