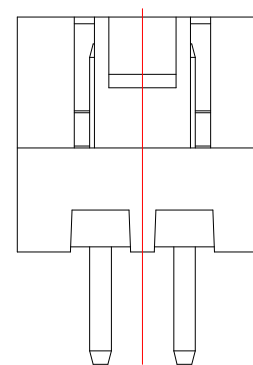
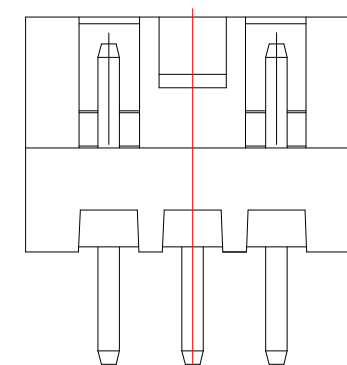


Technical Index:

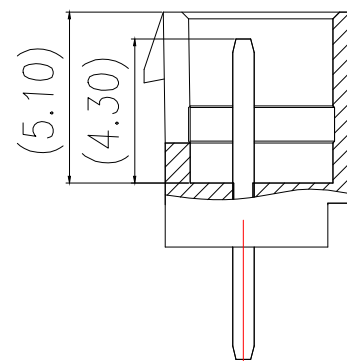
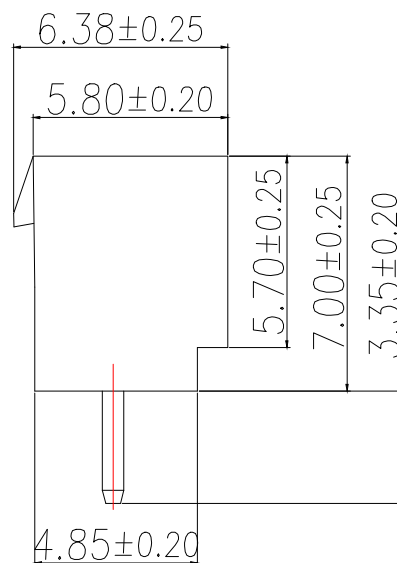
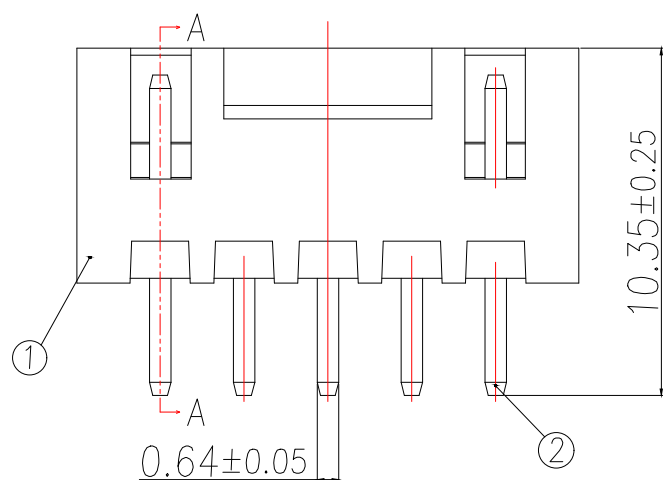
1. Temperature range: $-25^{\circ}\text{C}\sim 85^{\circ}\text{C}$.
2. Rated voltage: 250V DC/AC(rms).
3. Rated current: 3.0A.
4. Contact resistance: $\leq 20\text{m}\Omega$.
5. Withstanding voltage: 1000V AC/minute.
6. Insulation resistance: $\geq 1000\text{M}\Omega$.



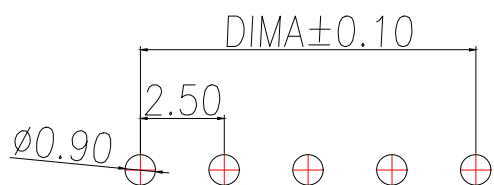
2Pin



3Pin



SECTION A-A



适用线路板(PCB LAYOUT)

Part No	Pin	A	B
BX-HA2.54-2PZZ-R	2	2.5	7.5
BX-HA2.54-3PZZ-R	3	5.0	10.0
BX-HA2.54-4PZZ-R	4	7.5	12.5
BX-HA2.54-5PZZ-R	5	10.0	15.0
BX-HA2.54-6PZZ-R	6	12.5	17.5
BX-HA2.54-7PZZ-R	7	15.0	20.0
BX-HA2.54-8PZZ-R	8	17.5	22.5
BX-HA2.54-9PZZ-R	9	20.0	25.0
BX-HA2.54-10PZZ-R	10	22.5	27.5
BX-HA2.54-11PZZ-R	11	25.0	30.0
BX-HA2.54-12PZZ-R	12	27.5	32.5
BX-HA2.54-13PZZ-R	13	30.0	35.0
BX-HA2.54-14PZZ-R	14	32.5	37.5
BX-HA2.54-15PZZ-R	15	35.0	40.0
BX-HA2.54-16PZZ-R	16	37.5	42.5
BX-HA2.54-17PZZ-R	17	40.0	45.0

序号	品名	材质	制图 DRAWN	变更内容 DESCRIPTION	日期 DATE	GENERAL TOLERANCE		制图 DRAWING	EMMA	料号 PART NO.	BX-HA2.54-NPZZ-R	版本 REV.	A
						X.±0.50	X°.±5°						
1	HA2.5 嵌芯	PA66 UL94V-2 Red				.X±0.20	X.X°.±3°	核准 APPROVAL	JADE	客户料号 CUTM.NO.			
2	HA2.5 直针 端子	Copper Alloy/ Tin Plating				.XX±0.10	X.XX°.±1°	单位 UNITS	MM	比例 SCALE	1:1		