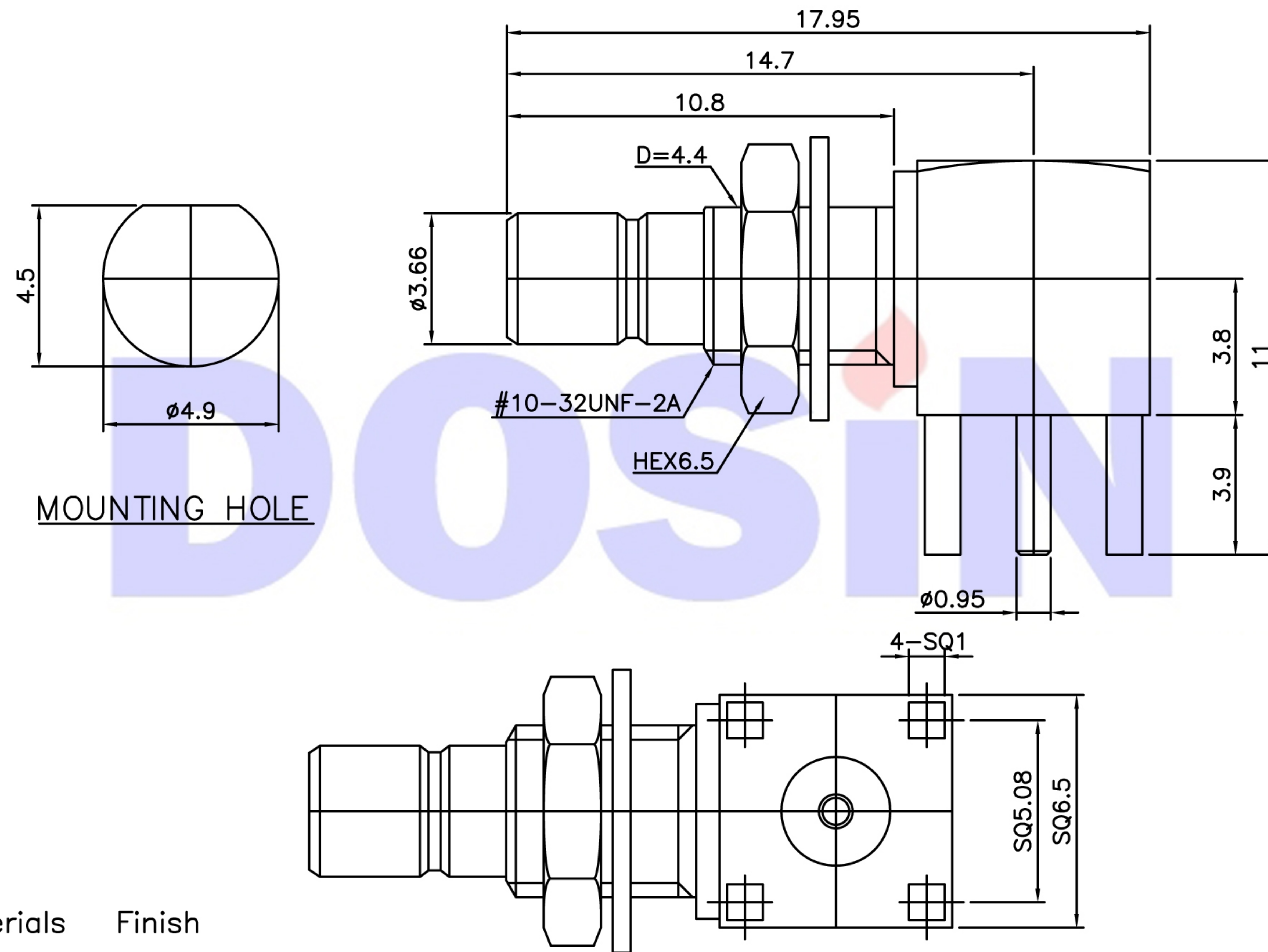




Product NO. DOSIN-807-1038				
REV	DESCRIPTION	DWN	DATE	APPROVEN
A	First issue	JIM	2017. 3. 13	John kine



Connector parts	Materials	Finish
Body,Nut,Washer	Brass	Gold Plated
Center contact	Brass	Gold Plated
Insulator	PTFE	-

NOTE:		Tolerance 0-6 ±0.05 6-30 ±0.10 30-120 ±0.20 Angular ±2°	<b>Dosin Industrial(H.K)Co.Ltd</b> 东莞市德索五金电子制品有限公司 <b>Dosin Hardware Electronics Co.,Ltd</b>	E-mail:dosin2005@163.com dosin2005@dosin-china.com Web:http://www.dosinconn.com TEL:(0086)769-81153906 FAX:(0086)769-81875836	
DRAWN Zelin. Zhang	2017. 3. 13			View 	Name: SMB R/A Bulkhead Jack PCB Mount
CHECKED		UNIT MM	SIZE A	Product NO. DOSIN-807-1038	REV B
APPROVALS John		SCALE 1:1	DateTime 2017. 3. 13	CAD FILE D/company drawings/BD	SHEET: 1 OF 1