

735222-2 ✓ ACTIVE

FASTIN-FASTON | FASTIN-FASTON 250

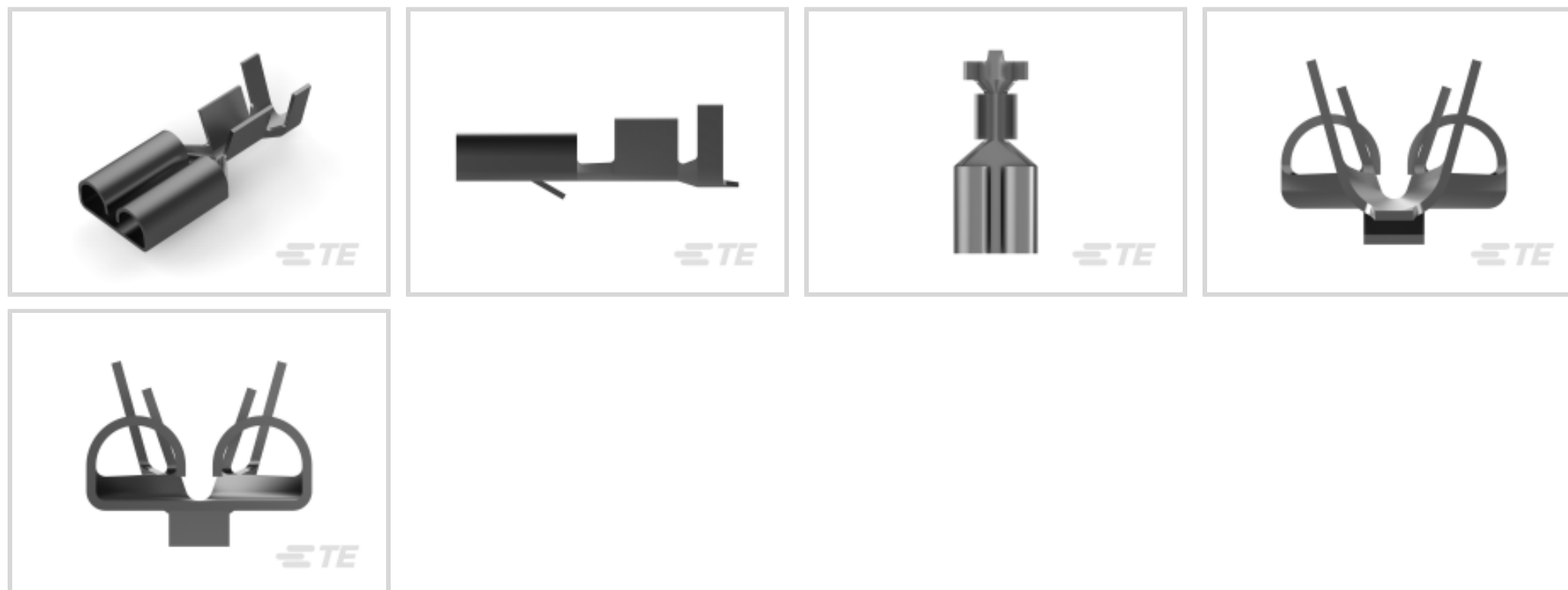
TE Internal #: 735222-2

Receptacle, 17 – 13 AWG Wire Size, 1.03 – 2.62 mm² Wire Size,
Mating Tab Width 6.35 mm [.25 in], Straight, Brass, FASTIN-
FASTON 250, Quick Disconnects

[View on TE.com >](#)



Terminals & Splices > Quick Disconnects



Quick Disconnect Terminal Type: **Receptacle**

Wire Size: 1.03 – 2.62 mm²

Mating Tab Width: 6.35 mm [.25 in]

Mating Tab Thickness: .81 mm [.032 in]

Features

Product Type Features

Insertion Force	Normal
-----------------	--------

Configuration Features

Compatible With Wire & Cable Type	Discrete Wire
-----------------------------------	---------------

Contact Features

Quick Disconnect Terminal Type	Receptacle
--------------------------------	------------

Mating Tab Width	6.35 mm [.25 in]
------------------	------------------

Mating Tab Thickness	.81 mm [.032 in]
----------------------	------------------

Terminal Orientation	Straight
----------------------	----------

Contact Base Material	Brass
-----------------------	-------

Terminal Plating Material	Tin
---------------------------	-----

Crimp Type	F-Crimp
------------	---------

Barrel Type	Open
-------------	------

Termination Features

Product Terminates To	Wire & Cable
-----------------------	--------------



Mechanical Attachment

Wire Insulation Support	With
Mating Retention Type	Locking Lance

Dimensions

Terminal Material Thickness	.32 mm[.013 in]
Product Length	17.1 mm[.673 in]
Compatible Insulation Diameter Range	3 – 4.3 mm[.118 – .169 in]
Wire Size	1.03 – 2.62 mm ²

Usage Conditions

Insulation Option	Uninsulated
Operating Temperature Range	100 °C[212 °F]

Packaging Features

Packaging Quantity	10000
Packaging Method	Reel

Product Compliance

[For compliance documentation, visit the product page on TE.com>](#)

EU RoHS Directive 2011/65/EU	Compliant
EU ELV Directive 2000/53/EC	Compliant
China RoHS 2 Directive MIIT Order No 32, 2016	No Restricted Materials Above Threshold
EU REACH Regulation (EC) No. 1907/2006	Current ECHA Candidate List: JUNE 2024 (241) Candidate List Declared Against: JUNE 2024 (241) Does not contain REACH SVHC
Halogen Content	Low Halogen - Br, Cl, F, I < 900 ppm per homogenous material. Also BFR/CFR/PVC Free
Solder Process Capability	Not reviewed for solder process capability

Product Compliance Disclaimer

This information is provided based on reasonable inquiry of our suppliers and represents our current actual knowledge based on the information they provided. This information is subject to change. The part numbers that TE has identified as EU RoHS compliant have a maximum concentration of 0.1% by weight in homogenous materials for lead, hexavalent chromium, mercury, PBB, PBDE, DBP, BBP, DEHP, DIBP, and 0.01% for cadmium, or qualify for an exemption to these limits as defined in the Annexes of Directive 2011/65/EU (RoHS2). Finished electrical and electronic equipment products will be CE marked as required by Directive 2011/65/EU. Components may not be CE marked. Additionally, the part numbers that TE has identified as EU ELV compliant have a maximum concentration of 0.1% by weight in homogenous materials for lead, hexavalent chromium, and mercury, and 0.01% for cadmium, or qualify for an exemption to these limits

as defined in the Annexes of Directive 2000/53/EC (ELV). Regarding the REACH Regulation, the information TE provides on SVHC in articles for this part number is based on the latest European Chemicals Agency (ECHA) 'Guidance on requirements for substances in articles' posted at this URL: <https://echa.europa.eu/guidance-documents/guidance-on-reach>

Compatible Parts



TE Part # 2150014-1
OCEAN_2.0_Applicator-E-110F180F-REM



TE Part # 2150014-2
OCEAN_2.0_Applicator-E-110F180F-REA

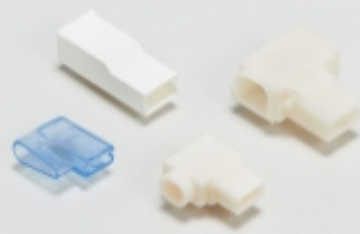


TE Part # 626096-2
.250 S FASTIN ON




TE Part # 7-2150014-7
OCEAN_2.0_SPARE_PART_KIT-110F180F


Also in the Series | FASTIN-FASTON 250




Crimp Terminal Housings(210)



Insertion & Extraction Tools(2)



PCB Terminals(2)

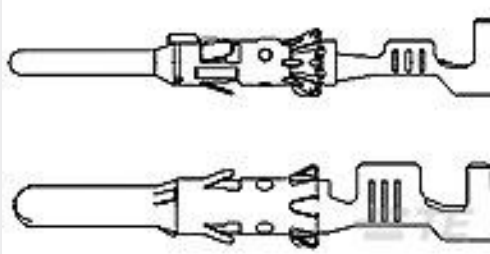


Quick Disconnects(251)

Customers Also Bought



TE Part #174663-2
12 POS HSG MARK II+



TE Part #929968-1
2,5MM PIN CONTACT



TE Part #1-968851-1
AMP MCP 2.8, CONTACT



TE Part #626328-2
FF 250 RECEPTACLE 4.0-6.0 MM2 TPBR



TE Part #444309-1
HSG ASSY POWER/GRO



TE Part #626328-1
FF 250 RECEPTACLE 4.0-6.0 MM2 BR



TE Part #735212-2
FF 250 REC 22-17AWG TPBR



TE Part #880643-2
RING TONGUE 1.0-2.5 MM2 0.61X14.60 TPBR



Documents

Product Drawings

FF 250 REC 1.0-2.5 MM2 0.32X 19.30 BR

English

CAD Files

3D PDF

3D

Customer View Model

[ENG_CVM_CVM_735222-2_V1_c-735222-2-v1.2d_dxf.zip](#)

English

Customer View Model

[ENG_CVM_CVM_735222-2_V1_c-735222-2-v1.3d_igs.zip](#)

English

Customer View Model

[ENG_CVM_CVM_735222-2_V1_c-735222-2-v1.3d_stp.zip](#)

English

By downloading the CAD file I accept and agree to the [Terms and Conditions](#) of use.

Product Specifications

[Application Specification](#)

German