

1658640-1 ✓ ACTIVE

AMPLIMITE

TE Internal #: 1658640-1

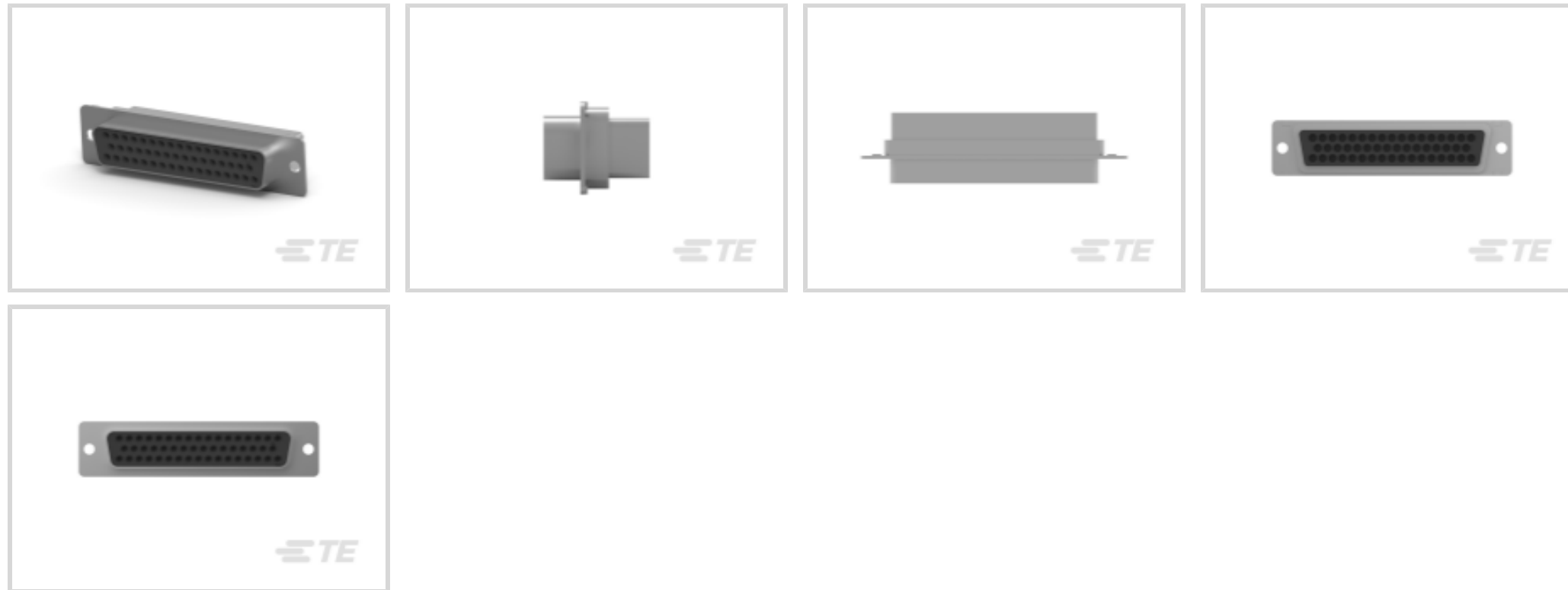
Receptacle, Cable-to-Cable, 50 Position, Contact Size Size 20, Shell Size 5, Shielded, Crimp D-Sub Connectors

[View on TE.com >](#)



Connectors > D-Shaped Connectors > D-Sub Connectors > Crimp D-Sub Connectors >

D-Sub Crimp Recpt Signal 50 Posn, Socket Size 20, Shell Size 5



Connector & Housing Type: **Receptacle**

Connector System: **Cable-to-Cable**

Number of Positions: **50**

Contact Size: **Size 20**

Connector Shell Size: **5**

[All D-Sub Crimp Recpt Signal 50 Posn, Socket Size 20, Shell Size 5 \(4\)](#)

Features

Industry Standards

UL Flammability Rating	UL 94V-0
------------------------	----------

Termination Features

Termination Method to Wire & Cable	Crimp
------------------------------------	-------

Body Features

Shell Plating Material	Tin
Primary Product Color	Black
Shield Plating Material	Steel
Insert Material	Glass-Filled Nylon

Packaging Features

Packaging Method	Package
Packaging Quantity	225

Dimensions



Compatible Insulation Diameter Range	4.58 – 11.68 mm
--------------------------------------	-----------------

Wire Size	24 – 20 AWG
-----------	-------------

Housing Features

Housing Material	Nylon GF, Polyester GF
------------------	------------------------

Shell Material	Steel
----------------	-------

Centerline (Pitch)	2.76 mm, 2.74 mm, 2.79 mm [.108 in][.11 in][.109 in]
--------------------	--

Operation/Application

Circuit Application	Signal
---------------------	--------

Shielded	Yes
----------	-----

Contact Features

Contact Options	Order Separately
-----------------	------------------

Contact Size	Size 20
--------------	---------

Product Type Features

Shell Material Configuration	Full Metal Shell
------------------------------	------------------

Connector & Contact Terminates To	Wire & Cable
-----------------------------------	--------------

Connector & Housing Type	Receptacle
--------------------------	------------

Connector System	Cable-to-Cable
------------------	----------------

Connector Shell Size	5
----------------------	---

Sealable	No
----------	----

Configuration Features

Number of Positions	50
---------------------	----

Mechanical Attachment

Mating Retention	With
------------------	------

Mating Retention Type	Mounting Holes
-----------------------	----------------

Usage Conditions

Operating Temperature Range	-55 – 105 °C [-67 – 221 °F]
-----------------------------	-----------------------------

Other

EU RoHS Compliance	Compliant
--------------------	-----------

EU ELV Compliance	Compliant
-------------------	-----------

Product Compliance



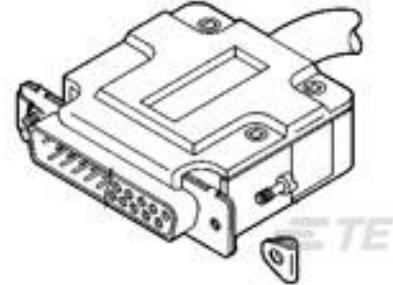
[For compliance documentation, visit the product page on TE.com>](#)

EU RoHS Directive 2011/65/EU	Compliant
EU ELV Directive 2000/53/EC	Compliant
China RoHS 2 Directive MIIT Order No 32, 2016	No Restricted Materials Above Threshold
EU REACH Regulation (EC) No. 1907/2006	Current ECHA Candidate List: JUNE 2024 (241) Candidate List Declared Against: JUNE 2024 (241) Does not contain REACH SVHC
Halogen Content	Not Low Halogen - contains Br or Cl > 900 ppm.
Solder Process Capability	Not applicable for solder process capability

Product Compliance Disclaimer

This information is provided based on reasonable inquiry of our suppliers and represents our current actual knowledge based on the information they provided. This information is subject to change. The part numbers that TE has identified as EU RoHS compliant have a maximum concentration of 0.1% by weight in homogenous materials for lead, hexavalent chromium, mercury, PBB, PBDE, DBP, BBP, DEHP, DIBP, and 0.01% for cadmium, or qualify for an exemption to these limits as defined in the Annexes of Directive 2011/65/EU (RoHS2). Finished electrical and electronic equipment products will be CE marked as required by Directive 2011/65/EU. Components may not be CE marked. Additionally, the part numbers that TE has identified as EU ELV compliant have a maximum concentration of 0.1% by weight in homogenous materials for lead, hexavalent chromium, and mercury, and 0.01% for cadmium, or qualify for an exemption to these limits as defined in the Annexes of Directive 2000/53/EC (ELV). Regarding the REACH Regulation, the information TE provides on SVHC in articles for this part number is based on the latest European Chemicals Agency (ECHA) 'Guidance on requirements for substances in articles' posted at this URL: <https://echa.europa.eu/guidance-documents/guidance-on-reach>

Compatible Parts



TE Part # 1-5207908-3
KIT S/R SCREW RET 90/180 DEG

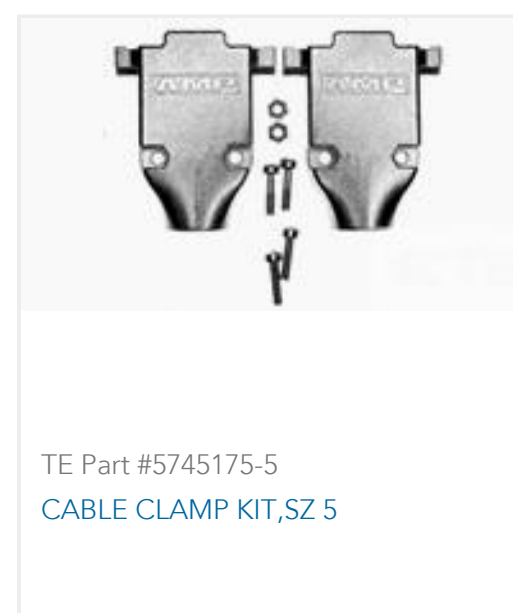
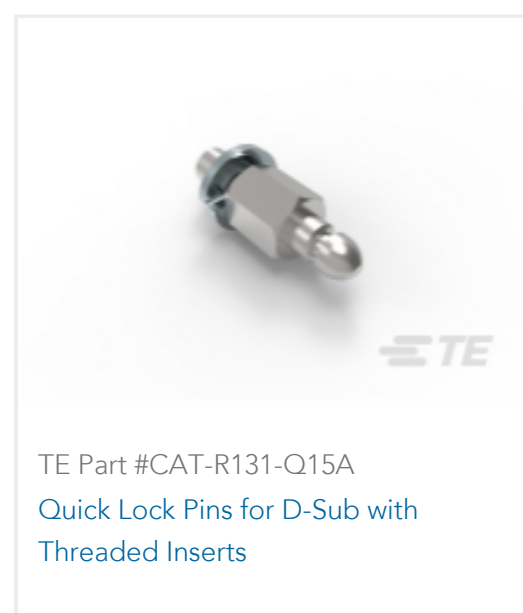


TE Part # CAT-035-DCPPS205
D-Sub Crimp: Plug, Signal, 50 Posn, Pin Size 20, Shell Size 5



TE Part # CAT-035-DCRSS205
D-Sub Crimp Recpt Signal 50 Posn, Socket Size 20, Shell Size 5

Customers Also Bought



Documents

Product Drawings

[HDP-20,RCPT,SIZE 5, 50 POSN](#)

English

CAD Files

Customer View Model

[ENG_CVM_1658640-1_C.3d_stp.zip](#)

English

Customer View Model

[ENG_CVM_1658640-1_C.2d_dxf.zip](#)

English

Customer View Model

[ENG_CVM_1658640-1_C.3d_igs.zip](#)

English

3D PDF

3D

By downloading the CAD file I accept and agree to the [Terms and Conditions](#) of use.

Datasheets & Catalog Pages

[AMPLIMITE Subminiature D Connectors - Cable Connectors](#)

English

[AMPLIMITE Cable Connectors and Shielding Hardware Kits QRG](#)

English

Product Specifications

[Application Specification](#)

English



Instruction Sheets

[Instruction Sheet \(U.S.\)](#)

English

Agency Approvals

[CSA Certificate](#)

English