

REV.	Q'TY	ECN. NO.	APR.	DATE

NOTE

1.SPECIFICATIONS

WITHSTANDING VOLTAGE: 500V AC  
 CURRENT RATING: 2AMP  
 INSULATION RESISTANCE: 1000MΩ MIN  
 CONTACT RESISTANCE: 20 mΩ MAX  
 TEMPERATURE RANGE: -55°C ~ +85°C

2.MATERIAL

HOUSING: THERMOPLASTIC UL94V-0  
 CONTACT: BRASS

3.FINISH: SEE TABLE

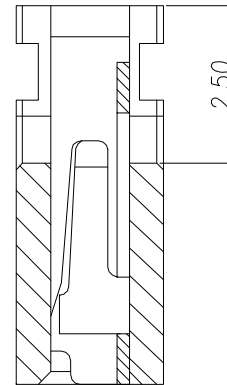
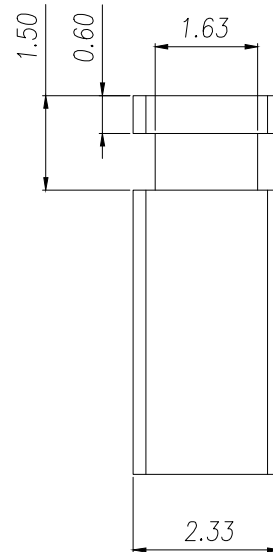
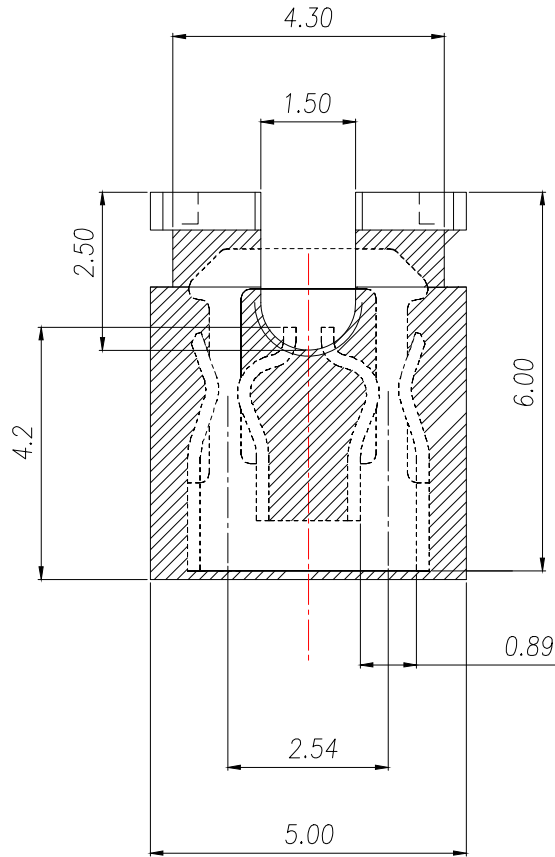
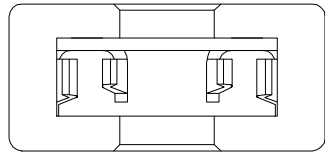


Table:

PART NAME	Q'TY	Material
CONTACT	1	C2680R-H,NI 80U"
HOUSING	1	PBT+30%GF,BLACK
CONTACT	1	C2680R-H,GOLD FLASH
CONTACT	1	C2680R-H,GOLD 15U"
CONTACT	1	C2680R-H,GOLD 30U"
CONTACT	1	C2680R-H,半金螺0.4U"

DIMENSION IN mm		厦门市辛译精密电子有限公司 Xiamen XinYi Xyecomm Electronics Co.,Ltd		
TOLERANCE UNLESS OTHERWISE SPECIFIED				
.X±0.50	X.*± 5'	APR.	Alex	TITLE: 2.54mm 开孔短路帽
.XX±0.20	.X.*± 3'	CHK.	Jack	DWG NO. XY-254D-PT-060-B
.XXX±0.10	.XX.*± 1'	DRA.	Can	PROJ.  CUSTOMER DRAWING
		SIZE A4	SCALE 1:1	SHEET 1/1 REV. A