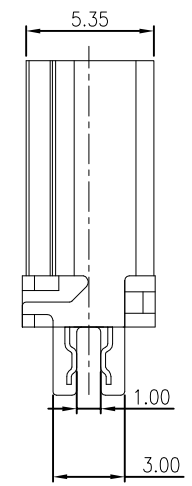
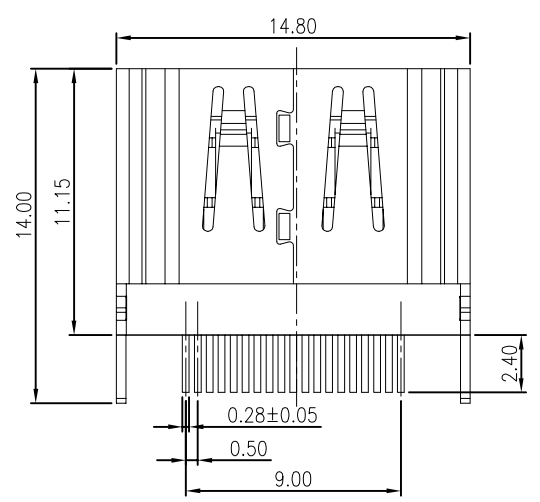
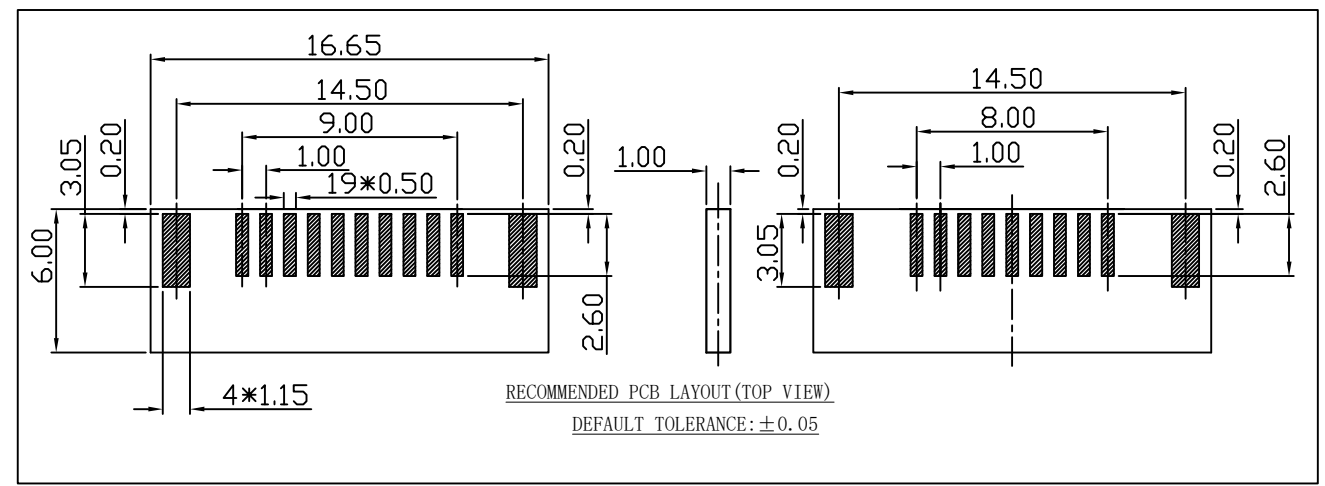
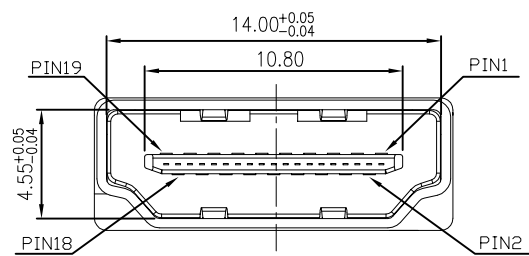


修订 REV NO	标记 MARK	修改摘要 REVISION DESCRIPTION	签名 SIGNATURE	日期 DATE
		NEW DWG		2016-03-12


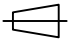


SPECIFICATION

- Electrical characteristics
  - Contact Current Rating: 0.5 A
  - Dielectric Withstanding Voltage: 300V AC
  - Insulation Resistance: a. Mate 100MΩ MIN at 500V/DC  
b. Unmate 10MΩ MIN at 150V/DC
  - Contact Resistance: 30mΩ MAX
  - Temperature Range: -20° C to +85° C
- Mechanical
  - Mating Face: 44.1N MAX
  - Unmating Face: 9.8N MIN; 39.2N MAX
  - Durability: 5000 Cycles
- Material:
  - HOUSING: THERMOPLASTICS HIGH TEMP LCP+GLASS  
FIBER BLACK COLOR, UL94V-0
  - CONTACT: Copper Alloy, T=0.20MM
  - SHELL: Copper Alloy (SPCC), T=0.40MM
- PLATING:
  - CONTACT: 1~30u" GOLD/TIN PLATING ON CONTACT AREA  
100u" MIN, TIN PLATING ON SOLDER TAILS
  - 50u" MIN, NICKEL UNDERPLATING OVER ALL
  - SHELL: 80u", NICKEL UNDERPLATING OVER ALL



深圳市华德共创科技有限公司  
Shenzhen Huade co-create Technology Co., LTD  
电话: 0755-27111216 传真: 0755-29940187

-TOLERANCES- UNLESS OTHERWISE SPECIFIED 公差参数表		 		TITLE: HDMI AF夹板1.0铁壳0.4镀镍 产品名称: 黑胶弯端			
X.X ±0.30	X.X* ±3°	APPD: 核准:	PART NO: 产品编号: HDMI-GD-131PWB				
X.XX ±0.20	X.XX* ±2°	CHECK: 校对: 王建业	DATE	SCALE	UNIT	CODE NUMBER	
X.XXX ±0.10	X.XXX* ±1°	DRAW: 绘图: 黄艳兰	2016-03-12	1:1	mm	A001	