

1

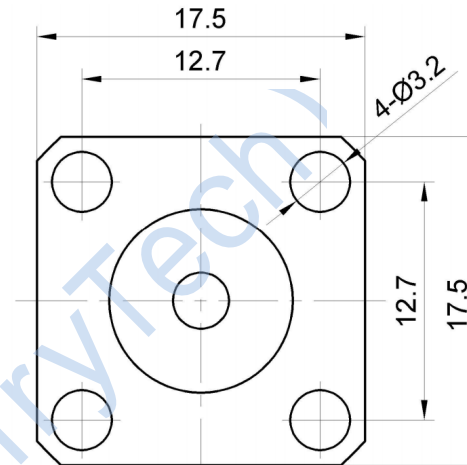
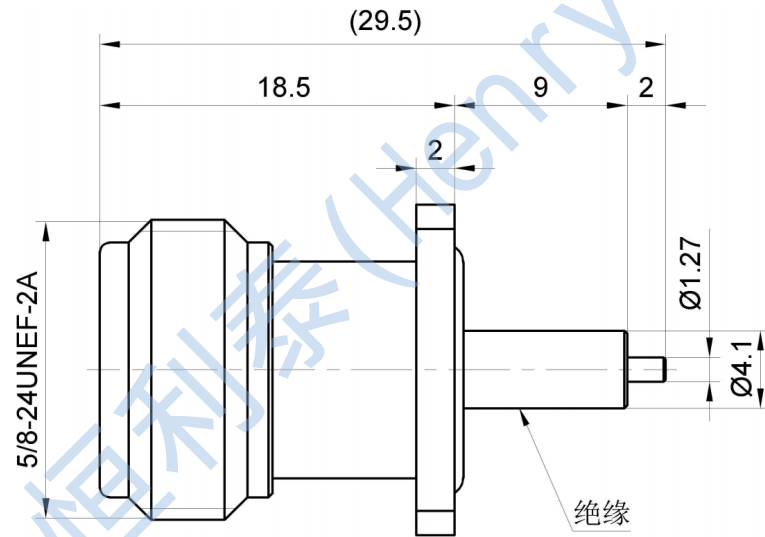
2

3

4

This document contains proprietary information and such information may not be disclosed to others for any purposes, not used for sales/marketing/procurement purposes without written permission

REV	DESCRIPTION OF REVISION	ECN NO.	BY	DATE	APPROVED
A	Initial Release	—	H.wei	12/7/06	12/7/06



技术特性/Electrical Specifications

特性阻抗/Impedance	50 Ω
频率范围/Frequency Range	DC-18GHz
电压驻波比/VSWR	≤1.25
插入损耗/Insert Loss	≤0.05xsqt. (f GHz) dB
耐压/Withstanding Voltage	≥1000V
绝缘电阻/Insulation Resistance	≥1000MΩ

材料/Material Data

外导体/Outer contact	黄铜 Brass/三元合金 Ternary alloy
中心导体/Center contact	磷青铜/Phosphor Bronze/ 金 Gold Plated
绝缘介质/Insulator	聚四氟乙烯/PTFE

连接参数/The connection parameters


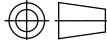
耐久性/durability ≥500次 (cycles)

环境参数/Environmental Data

温度范围/Temperature Range -55°C to 155°C

Notes:

- ALL SPECIFICATIONS ARE SUBJECT TO CHANGE NOTICE AT ANY TIME
- CUSTOMER OUTLINE DRAWING FOR REFERENCE ONLY

DRAWN: H.wei 12/07/06	TITLE: RF Coaxial Connector N Female Straight Flange Connector				
ENGINEER: L.yu 12/07/06					
APPROVED: W.yi 12/07/06		 DIMENSION IN MILLIMETERS (mm)			
TOLERANCES UNLESS OTHERWISE SPECIFIED	PART NO: HL3-N-KFD92	SIZE: A4	SCALE: N/A	SHEET: 1/1	REV: A
X ±0.50					
.X ±0.20					
.XX ±0.10					
ANGLES ±1°					

1

2

3

4