

REV.	DESCRIPTION	DRAWN	CHECKED	APPROVED
A	NEW RELEASE	JLZ 06/06/16'	~	

NOTES:

1. ELECTRICAL CHARACTERISTICS:

- 1.1 CONTACT RESISTANCE: 20mΩ Max.
- 1.2 DIELECTRIC WITHSTANDING VOLTAGE: 500V AC(rms) FOR 1 MINUTE.
- 1.3 INSULATION RESISTANCE: 1000MΩ Min.
- 1.4 VOLTAGE RATING:150V.
- 1.5 CURRENT RATING:1.5A.

2. ENVIRONMENT CHARACTERISTICS:

- 2.1 TEMPERATURE: -40°C~+85°C.

3. MATERIALS

- 3.1 CONTACT MATERIAL: COPPER ALLOY.
- 3.2 CONTACT PLATING: SELECTIVE GOLD.
- 3.3 INSULATOR MATERIALS: PBT BLACK.

4. PRODUCT NUMBER CODE:

DS1129-04-X X X X X - X X

LED Type

- 1: See Table
- 2: See Table

Shell Type

- S:W/ Shrapnel
- X:W/O Shrapnel

Housing Materials

- P:PBT

Contact Plating

- 0:Selective Gold Flash
- J:Selective 6u" Gold
- 5:Selective 15u" Gold
- 3:Selective 30u" Gold

Housing Color

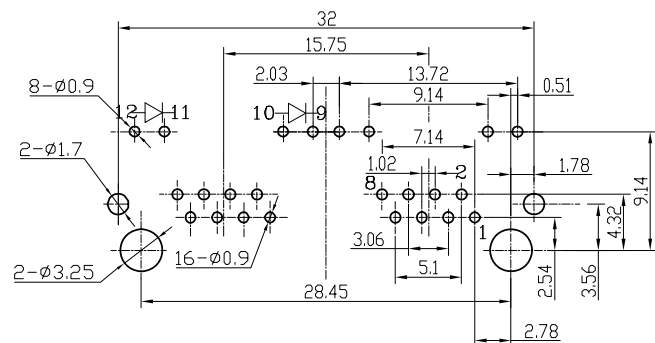
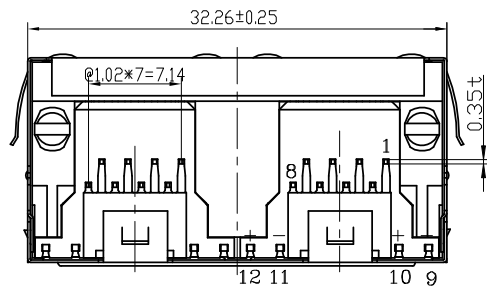
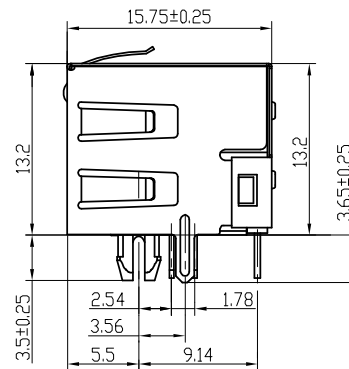
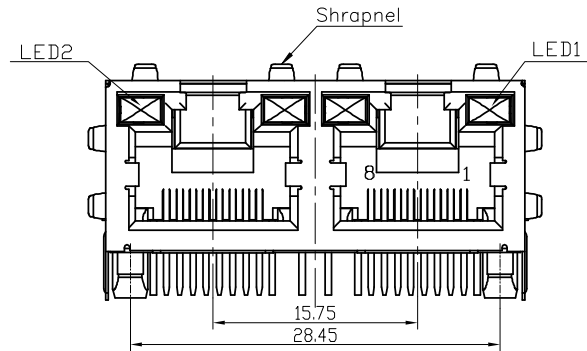
- B:Black

No.Of Contacts

- 8:8p8c

Connector Type

- S:Socket



**PCB LAYOUT
THICKNESS=1.6mm
LED Voltage:2.6V**

GENERAL TOLERANCE		ANGLE TOLERANCE	
X.	±0.60	X.	±5°
.X	±0.38	.X	±3°
.XX	±0.25	.XX	±2°

PROJECTION	TITLE
UNITS	PCB Jack 8 Positions 1*2 Port W/ Shell 3.56mm WITH LED Type
SHEET SIZE	SHEET DS1129-04 SERIES

DRAWING TYPE	CUSTOMER	
SCALE	1:1	SHEET 1 OF 2
DRAWING NO.	C-DS1129-04-XXXXX-A	

晨翔电子有限公司
CONNFLY CONNFLY ELECTRONIC CO. LTD