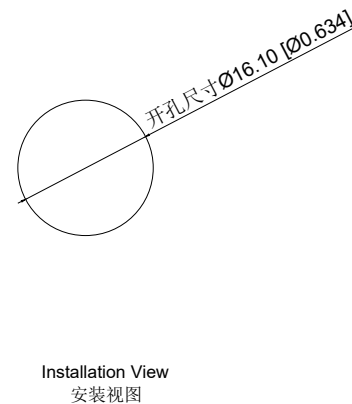


Single color electrical schematic diagram
单色电气原理图



Installation View
安装视图

A4				
A3				
A2				
A1				
REV	DATE	REVISION	DESCRIPTION	ISSUE



COMMON TOLERANCE

X.XX	± 0.10
X.X	± 0.15
X	± 0.25
ANGULAR	—

UNIT	MM	PROJECTED		PRODUCT NAME:
DRAWN BY	FUYUAN	CHECKED BY	COCO	MODEL NO: TP91649P224RS
DATE	2019	APPROVAL B	ALEN	Https: www.rocpcu.tw
ROCPCU TECHNOLOGY CO., LTD				
Copies are issued in strict confidence and shall not be reproduced or copied, or used as the basic of manufacture or sale of apparatus without permission				


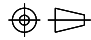
性能参数

1. Heating current: Ui: AC250V, Ith: 5A
发热电流: Ui: AC250V, Ith: 5A
2. Rated current:3A/DC36V
额定电流:3A/DC36V
3. Power-frequency withstand voltage:2000V1min
工频耐压:2000V1min
4. Insulation resistance:≥1000MΩ
绝缘电阻 :≥1000MΩ
5. Contact resistance:≤50mΩ
接触电阻 :≤50mΩ
6. Pressing stroke:2.80mm ± 0.10
按压行程:2.80mm ± 0.10
7. Contact stroke:1.50mm±0.10
接触行程 :1.50mm±0.10
8. welding temperature: 320 °C± 20 °C
焊接温度: 320 °C± 20 °C
9. Welding duration: Less than 3 seconds in duration
焊接时长: Less than 3 seconds in duration
10. Nut assembly torque:5-14N
螺帽装配力矩:5-14N
11. Protection level:IP67
防护等级:IP67
12. Explosion prevention level: IK09
防暴等级: IK09

13. Working environment temperature: -20 °C~+55 °C
工作环境温度: -20 °C~+55 °C
14. Compression torque: ≤ 3.5N
按压扭力: ≤3.5N
15. Electrical life: 500000 cycles
电气寿命: 500000 cycles
16. mechanical: 500000cycles
机械寿命: 500000cycles
17. Operation method:Self repeating form
操作方式: 自复式
18. NO reverse thrust foot torque: ≤30N
NO反推脚扭力: ≤30N
19. LED lamp power consumption: 20m以下
LED灯功耗: 20m以下
20. LED lamp lifespan: 40000h
LED寿命: 40000h
21. LED color: Red
LED颜色: 红色


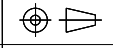
连接形式

1. Welding temperature of wire: 320 ± 20 °C
线材焊接温度: 320±20°C
Wire welding duration: less than 3 seconds
线材焊接时长: 时长3秒以下
2. Can be used with dedicated connectors:
可配专用接插件使用:
 - 2.1 Switch function wire: green (C) blue wire (NO) yellow wire (NC)
开关功能线材: 绿色(C) 蓝线 (NO) 黄线 (NC)
 - 2.2 LED functional wire: red wire positive pole, black wire negative pole, LED without distinction between positive and negative poles
LED功能线材: 红线正极, 黑线负极, LED不分正负极

A4					COMMON TOLERANCE		UNIT	MM	PROJECTED		PRODUCT NAME:	
A3					X.XX	± 0.10	DRAWN BY	FUYUAN	CHECKED BY	COCO	MODEL NO: TP91649P224RS	
A2					X.X	± 0.15	DATE	2019	APPROVAL B	ALEN	Https: www.rocpu.tw	
A1					X	± 0.25	ROCPU TECHNOLOGY CO.,LTD					
REV	DATE	REVISION	DESCRIPTION		ISSUE	ANGULAR	Copies are issued in strict confidence and shall not be reproduced or copied, or used as the basic of manufacture or sale of apparatus without permission					
						A	B	C	D	E	F	G

材质参数

10	luminous zone 发光区	PC 塑料	1	
9	LEDpin LED脚	Brass 黄铜	1	Silvering 镀银
8	Base 底座	PA46	1	
7	Pin 引脚	Brass 黄铜	1	gold-plating 镀金
6	Contact material 接触材质	silver alloy 银合金	1	Silvering 镀银
5	LED Base LED基座	PBT	1	
4	Arm nut 固定螺帽	Brass 黄铜	1	nickeling 镀镍
3	Oring O型圈	Silica gel 硅胶	1	
2	Housing 外壳	SUS 不锈钢	1	
1	Key 按键	SUS 不锈钢	1	
NO 序号	Part name 部件名	Material 材料	QTY 数量	Remark 备注

A4			 <p style="margin: 0;">台普 ROCPCU</p>	COMMON TOLERANCE		UNIT	MM	PROJECTED		PRODUCT NAME:
A3				X.XX	± 0.10	DRAWN BY	FUYUAN	CHECKED BY	COCO	MODEL NO: TP91649P224RS
A2				X.X	± 0.15	DATE	2019	APPROVAL B	ALEN	Https: www.rocpu.tw
A1				X	± 0.25	ROCPCU TECHNOLOGY CO.,LTD				
REV	DATE	REVISION DESCRIPTION		ISSUE	ANGULAR	—	Copies are issued in strict confidence and shall not be reproduced or copied, or used as the basic of manufacture or sale of apparatus without permission			