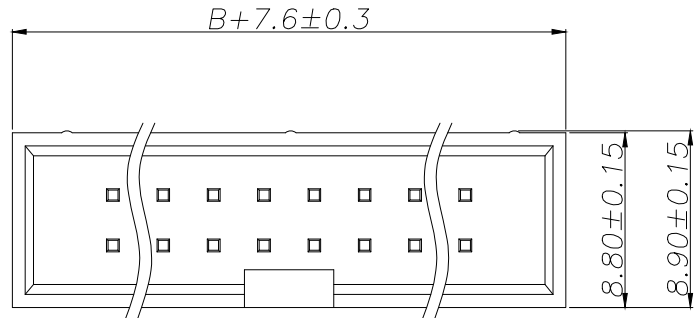


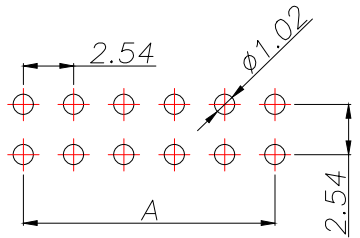
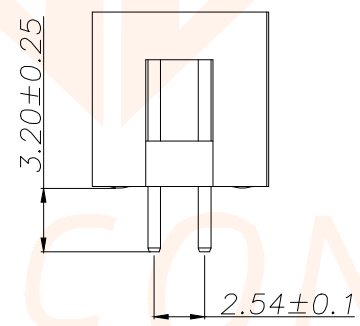
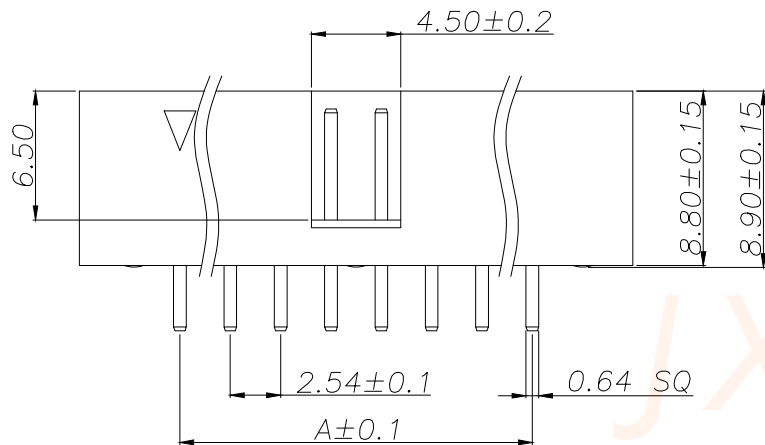


REV.	ECN NO.	DESCRIPTION	DATE	DESIGN



SPECIFICATIONS

Current Rating: 3Amps
 Insulation Resistance: 1000MΩ Min
 Contact Resistance: 20mΩ Max
 Withstanding Voltage: AC 1000V
 Operation Temperature: -40°to+105°
 Contact Material: Brass
 Insulator Material: Polyester(UL 94V-0)
 Contact plating: Gold Flash
 Standard: PA6T
 Max.Processing Temp: 240°C for30-60seconds
 (260°Cfor10seconds)



RECOMMEND P.C.B LAYOUT
 PCB TOLERANCE:±0.05 (TOP VIEW)

PZ/N	PZIN	DIM.A	DIM.B
DC3-2.54-2*03PZ	2*3	5.08	7.62
DC3-2.54-2*04PZ	2*4	7.62	10.16
DC3-2.54-2*05PZ	2*5	10.16	12.70
DC3-2.54-2*06PZ	2*6	12.70	15.24
DC3-2.54-2*07PZ	2*7	15.24	17.78
DC3-2.54-2*08PZ	2*8	17.78	20.32
DC3-2.54-2*09PZ	2*9	20.32	22.86
DC3-2.54-2*10PZ	2*10	22.86	25.40
DC3-2.54-2*12PZ	2*12	27.94	30.48
DC3-2.54-2*13PZ	2*13	30.48	33.02
DC3-2.54-2*14PZ	2*14	33.02	35.56
DC3-2.54-2*15PZ	2*15	35.56	38.10
DC3-2.54-2*16PZ	2*16	38.10	40.64
DC3-2.54-2*17PZ	2*17	40.64	43.18
DC3-2.54-2*18PZ	2*18	43.18	45.72
DC3-2.54-2*20PZ	2*20	48.26	50.80
DC3-2.54-2*22PZ	2*22	53.34	55.88
DC3-2.54-2*25PZ	2*25	60.96	63.50
DC3-2.54-2*30PZ	2*30	73.66	76.20
DC3-2.54-2*32PZ	2*32	78.74	81.28

TOLERANCE		深圳聚兴泰电子科技有限公司 Shenzhen Juxingtai Electronic Technology Co., Ltd	
X.±0.30	X.*±5°	PART NO.	TITLE: 2.54DC3-NPIn H8.9 180# PC3.2 L11.5 6T
X.X±0.20	X.X*±2°	DC3-2.54-2*NPZ	
X.XX±0.10	X.XX*±1°	DESIGN: Ethan	
UNITS	mm	CHED: Olvia	MANUFACTURE DWG
MATERILA	---	APPD: Ava	SCALE N:A SHEET 1/1
FINISH	---		