

### DS - S A009A-H0685-L03 A

**Detector Switch**

**Installation**  
S=SMT

**Structure**  
A=Right grip handle  
B=Left grip handle

**Operating Force**  
A=100gf Max

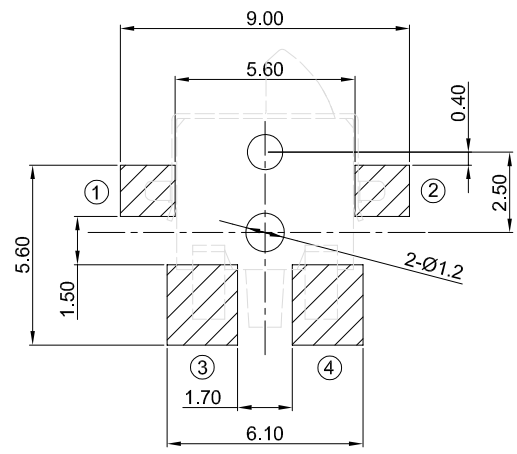
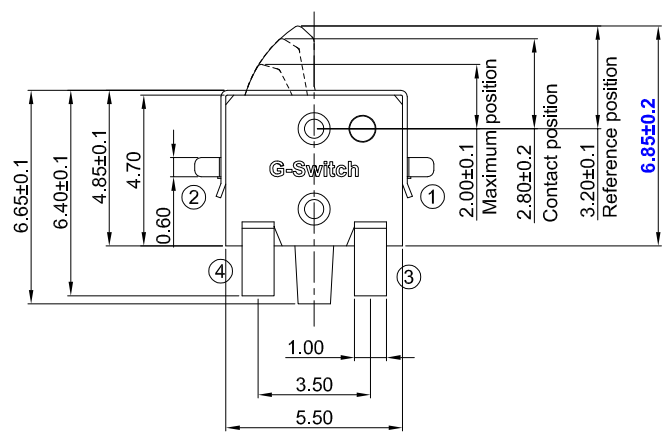
**Switch Height(mm)**  
H0685=6.85

**Switch Lifetime**  
L03=30,000 Cycles

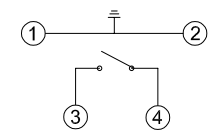
**Detail**  
A=With Pilot

### G-Switch Specification:

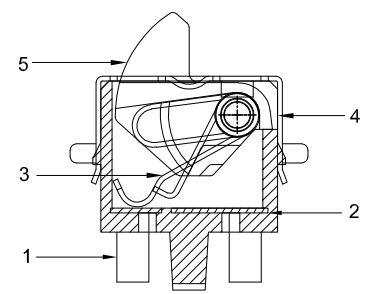
1. Operating temperature range: -30°C ~ +85°C
2. Rating: 50mA.12V DC
3. Insulation resistance: 50MΩ min.100V DC
4. Dielectric strength: 250V AC for 1 min
5. Contact resistance: 1.0Ω max.
6. Travel: 0.5±0.3mm



**PCB REFERENCE DIAGRAM**  
TOLERANCE:±0.05



**CIRCUIT DIAGRAM**



NO.	PART NAME	MATERIAL	REMARK
5	PLUNGER	HIGH TEMPERATURE PLASTIC	PPA BLACK
4	COVER	C5210	Tin PLATED
3	CONTACT	STAINLESS STEEL	Ag PLATED
2	BASE	HIGH TEMPERATURE PLASTIC	PPA BLACK
1	TERMINAL	C5210	Ag PLATED



SCALE: 1:1	UNIT: mm
SIZE: A4	
Unless otherwise General Tolerance:	
X.x	±0.30
X.xx	±0.20
X.xxx	±0.10
X*	±3°

Title: Horizontal Detector Switch SMT 6.10×4.85×H6.85mm			
Molde Code: DS-SA009A-H0685-L03A			
DRAWN	CHECKED	APPROVED	DATE
Jiang	Xia	Chen	2025.03.26



REV: A0	SHEET: 1/1
---------	------------