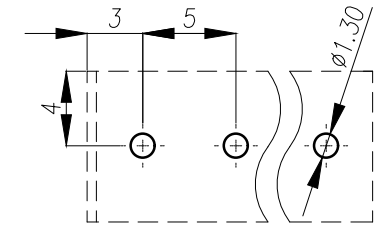
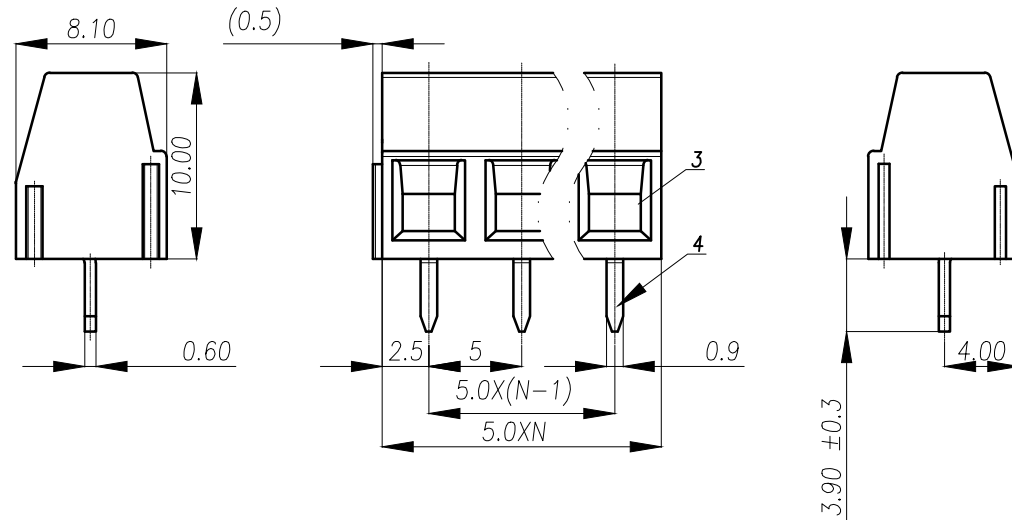
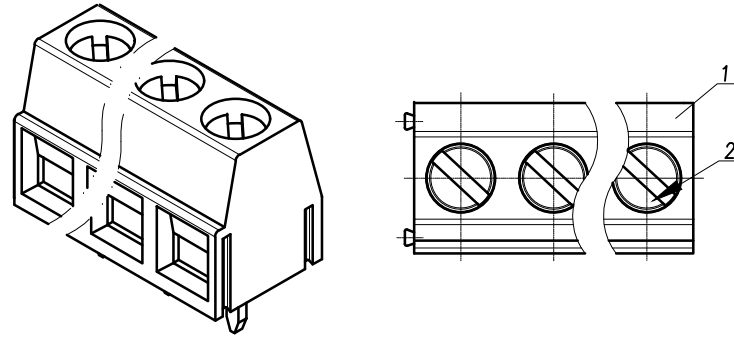


General tolerances(mm)														0.1/10
0 ~ 3	>3 ~ 6	>6 ~ 10	>10 ~ 18	>18 ~ 30	>30 ~ 50	>50 ~ 80	>80 ~ 120	>120 ~ 180	>180 ~ 250	>250 ~ 315	>315 ~ 400	>400 ~ 500	>500	
±0.12	±0.18	±0.22	±0.26	±0.31	±0.37	±0.57	±0.80	±0.93	±1.05	±1.15	±1.60	±2.20	±2.50	



PCB LAYOUT

UL Standard	B	C	D
Rated Voltage(V)/Current(A)	300/12	/	/
IEC Standard			
Overvoltage Category/Pollution Degree	Ⅲ/2		
Rated Voltage(V)/Current(A)	200/15		
Withstanding voltage(V/1Min)	AC2000		
Torque Tightening(N-m/Lb.in)	M3,02P 0.34/3.04±0.3P 0.5/4.43		
Wire Range(rigid and flexible)(mm ² /AWG)	26~14/0.75~1.5		
Pitch(mm)/Poles	5.00/N=02~24P		
Stripping length(mm)	6mm~7mm		
Operating temperature(°C)	-40'~+105'		
Conform to RoHS	Yes		

4	Pin Header	Copper Alloy	Sn Plated
3	Cage	Copper Alloy	M3/Ni Plated
2	Screw	Steel	M3/Zn Plated
1	Housing	PA66	UL94V-0
ITEM	NAME OF PART	MATERIAL	NOTES

制图 DRAWN	变更内容 DESCRIPTION	日期 DATE	GENERAL TOLERANCE	制图 DRAWING	Yu	料号 PART NO.	BX-DG27V-5.0-NP	版次 REV.	A
				审核 CHECK	HUANG	品名 TITLE	CUSTOMER DRAWING	页次 SHEET	1/1
				核准 APPROVAL	RUAN	客户料号 CUTM.NO.		Bossie (博锡)	
				单位 UNITS	MM	比例 SCALE	1:1		