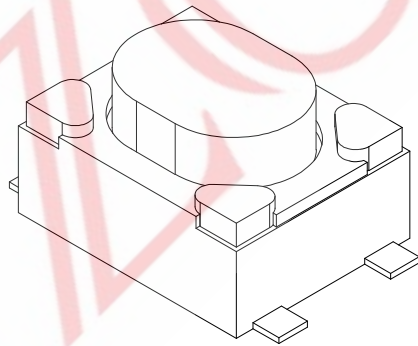
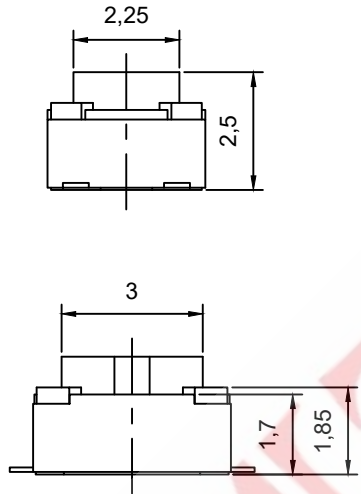
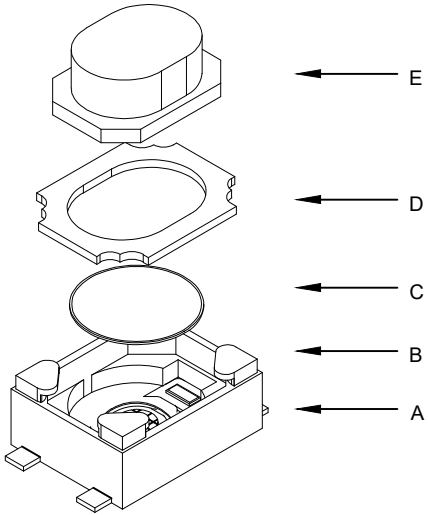


1 SAMZO 2 REAC/ROHS

REV	ECN NO	DESCRIPTION	DESIGN	APPROVAL	DATE
A1	NEW	Replace frame			2018.06.12

E

E



主要技术参数、性能
The Main Thchnology Performance

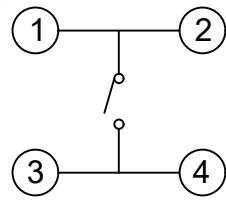
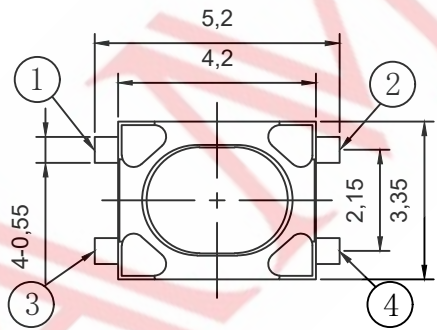
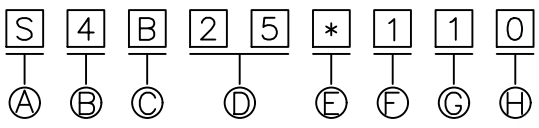
额定电流、电压 Rate voltage, current	50mA DC12V
接触电阻 Contact resistance	≤100mΩ
按力 Operating force	±50gf
行程 Travel	0.20±0.10mm
绝缘电阻 Insulated resistance	≥100MΩ
介电强度 Dielectric strength	≥250VAC/1min

D

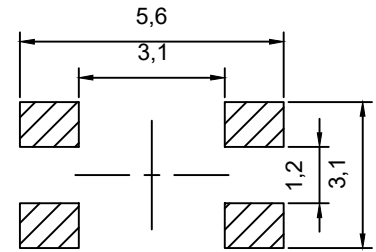
D

C

C



电路图
CIRCUIT DIAGRAM



PCB. 焊接图
PCB. WELDING DRAWING

B

B

- A. 系列:S-3*4mm系列
- B. 贴装方式:4-立式贴片
- C. 引脚规格:B-4P
- D. 操作高度:25-2.5mm
- E. 操作力度:1-180gf/2-260gf
- F. 操作寿命:1-50,000次
- G. 固定方式:1-无柱
- H. 物料编码:0-常规(确认待编)

A

A

				FIRST VIEW				The copyright belongs to samzo parts [China] Co., Ltd. please use the material after samzo parts agree to authorize. The final right of interpretation belongs to samzo parts. WWW.KKK-JP.COM			
				GENERAL TOLERANCE							
				≥0~2<				±0.15			
DESIGN				WANGGUIFA				2018.06.12			
				≥2~5<				±0.25			
CHECKED				ZHENGJILIAN				2018.06.12			
				≥0~2<				±0.15			
APPROVED				LILIANJIANG				2018.06.14			
				≥5				±0.35			

TITLE::		3.35*4.2*2.5 4P-LT	
DWG NO:		S4B25-P19	
PART NO:		S4B25039	
MODEL NO:		S4B25-* -110	
NAME:		TACT SWITCH	

SAMZO COMPONENTS
Electronic switch and connector manufacturer

E	按钮	PPA	1	白色
D	盖板	磷铜	1	镀铜锡
C	弹片	不锈钢	1	镀银
B	本体	LCP	1	白色
A	卡件	磷铜	1	镀银
项目 ITEM	名称 DESCRIPTION	材质 MATERIAL	数量 QTY	表面处理/颜色 FINISH/COLOR

1

2

3

4

5

6

7

8