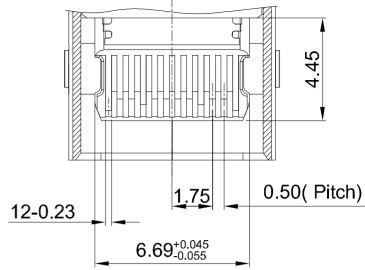
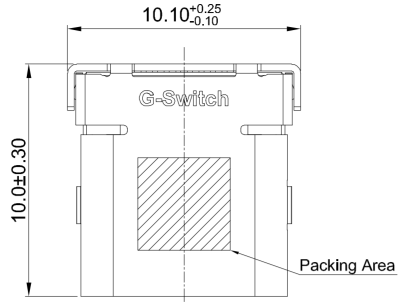
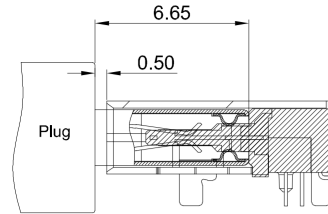


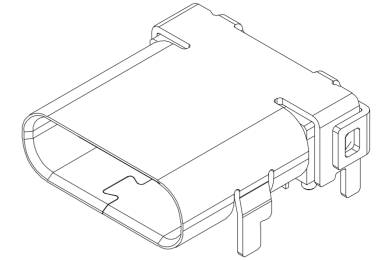
A



SECTION A-A

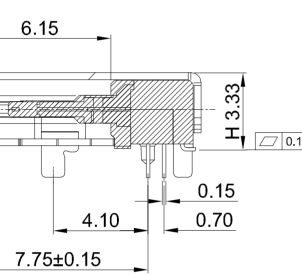
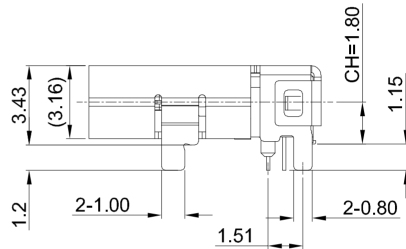
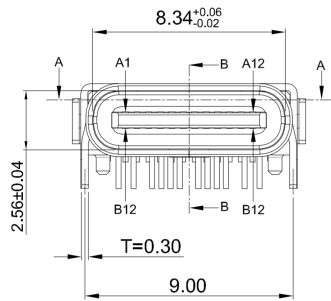


AFTER MATING



A

B



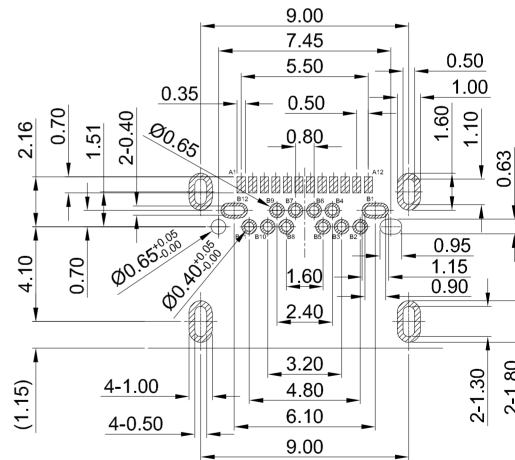
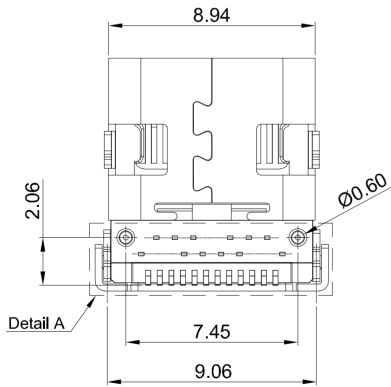
SECTION B-B

G-Switch USB-C Specification:

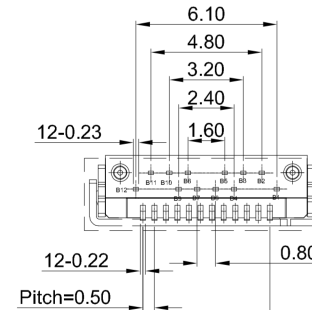
1. Current rated: 5A on vbus/1.25A on vconn/0.25A on other
2. Withstanding voltage: 100V AC/minute
3. Contact resistance: 40mΩ Max
4. Insulation resistance: 100MΩ Min
5. Operating temperature: -40°C ~ +85°C
6. Mating force: 5N~20N
7. Unmating force: 8N~20N, after durability test: 6N~20N
8. Durability cycle: 10,000 cycles
9. Data transmission rate up to 5Gbps

B

C



RECOMMENDED PCB LAYOUT
TOLERANCE:±0.05



DETAIL A

| | | | | | | | | | | | |
|-------|--------|--------|-------|--------|--------|--------|--------|-------|--------|--------|-------|
| A1 | A2 | A3 | A4 | A5 | A6 | A7 | A8 | A9 | A10 | A11 | A12 |
| GND | TX1+ | TX1- | VBUS | CC1 | D+ | D- | SBU1 | VBUS | RX2- | RX2+ | GND |
| First | Second | Second | First | Second | Second | Second | Second | First | Second | Second | First |
| | | | | | | | | | | | |
| B12 | B11 | B10 | B9 | B8 | B7 | B6 | B5 | B4 | B3 | B2 | B1 |
| GND | RX1+ | RX1- | VBUS | SBU2 | D- | D+ | CC2 | VBUS | TX2- | TX2+ | GND |
| First | Second | Second | First | Second | Second | Second | Second | First | Second | Second | First |

C

D

| | | | |
|-----|-----------|--------------------|--|
| 1 | SHELL | STAINLESS STEEL304 | Ni PLATED |
| 2 | GND PLATE | STAINLESS STEEL304 | --- |
| 3 | MID PLATE | STAINLESS STEEL301 | Ni PLATED |
| 4 | HOUSING | LCP | BLACK UL 94 V-0 |
| 5 | TERMINALS | COPPER ALLOY | Au PLATING ON CONTACT AREA Tin PLATING ON SOLDER AREA |
| NO. | PARTS | MATERIAL | REMARKS |



SCALE: 1:1 UNIT: mm
SIZE: A4

Unless otherwise
General Tolerance:
X. ±0.40
X.x ±0.30
X.xx ±0.20
X.xxx ±0.10
X° ±5°

Title: Horizontal Type-c 24P Female
SMT+DIP CH=1.8 L=10.0mm

Molde Code: GT-USB-7001A

| | | | |
|-------|---------|----------|------------|
| DRAWN | CHECKED | APPROVED | DATE |
| Xia | Chen | Chen | 2024.03.10 |



REV: A0 SHEET: 1/1

D

E

E