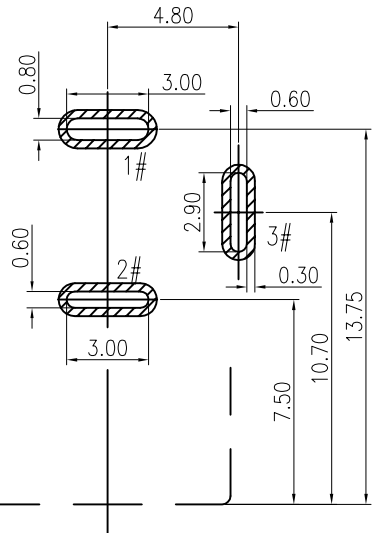
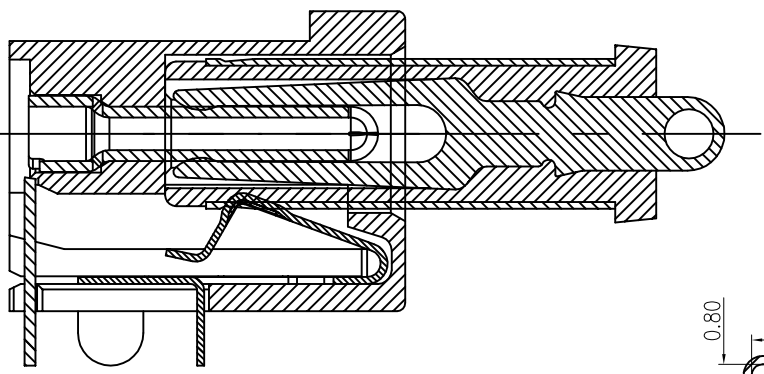
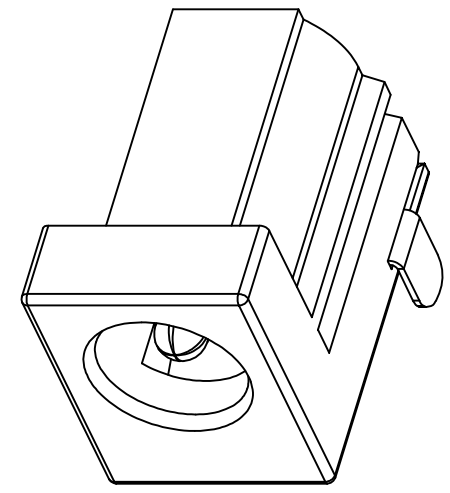
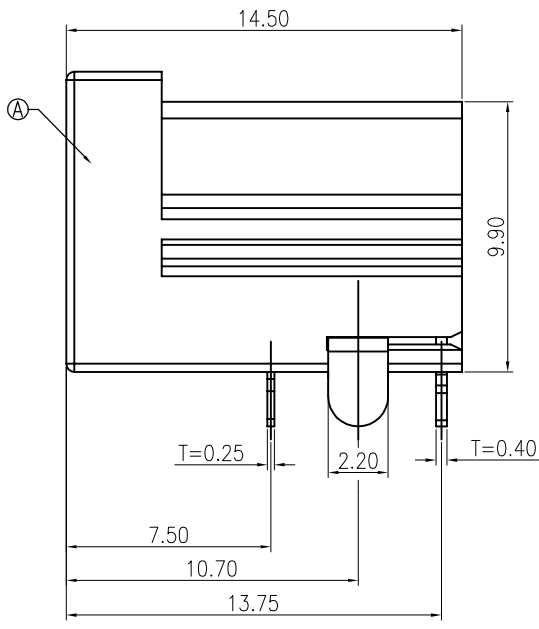
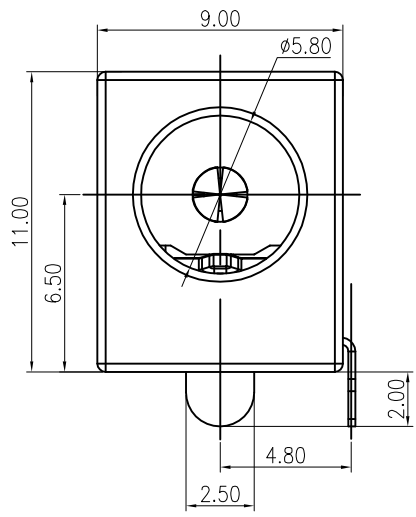
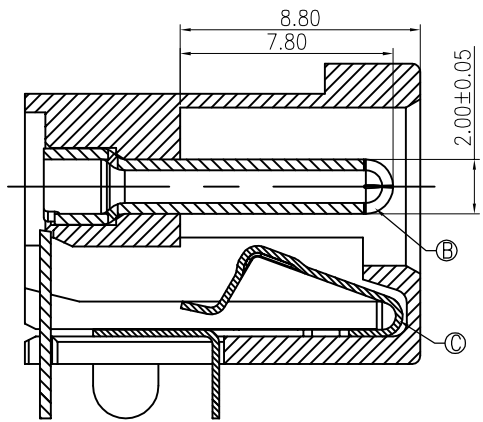


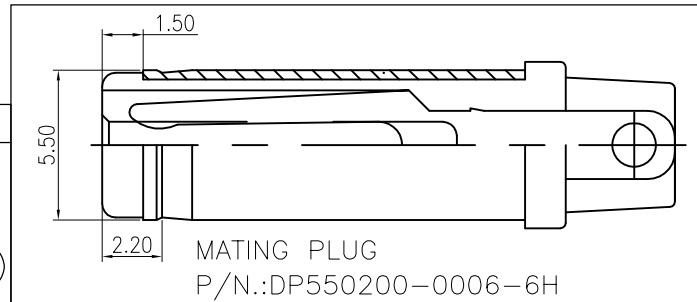
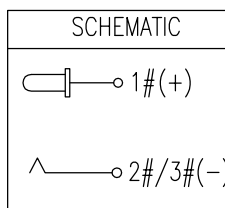
修订	标记	修改摘要	签名	日期
REV	NO	DESCRIPTION	SIGNATURE	DATE
		NEW DWG		2016-03-12



RECOMMENDED PCB LAYOUT
TOP VIEW TOLERANCE:±0.05

SPECIFICATION:

1. RATING: DC 60V 7A
2. CONTACT RESISTANCE: 30mΩ MAX.
3. INSULATION RESISTANCE: 100 MΩ MIN.
4. WITHSTAND VOLTAGE: 500 VAC
5. INSERTION FORCE:40N MAX.
6. EXTRACTION FORCE:3N MIN.
7. DURABILITY: 5,000 CYCLES



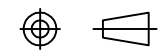
NO.	DESCRIPTION	MATERIAL	REMARKS	QTY
C	SPRING	COPPER ALLOY	Sn80u" MIN./Ni 40u".	1
B	CENTER PIN	BRASS	Sn80u" MIN./Ni 40u".	1
A	HOUSING	PA10T(无卤)	BLACK	1



深圳市华德共创科技有限公司
Shenzhen Huade co-create Technology Co.,LTD
电话: 0755-27111216 传真: 0755-29940187

X.X ±0.30		X.X* ±3°		APPD: 核准:	PART NO: 产品编号: DC550200-0343-2H			
X.XX ±0.20		X.XX* ±2°		CHECK: 校对: 王建业	DATE	SCALE	UNIT	CODE NUMBER
X.XXX ±0.10		X.XXX* ±1°		DRAW: 绘图: 黄艳兰	2016-03-12	1:1	mm	A001

-TOLERANCES-
UNLESS OTHERWISE SPECIFIED
公差参数表



TITLE: DC Power Jack 5521 大电流8A, 卧式,
产品名称: 高可靠三脚插板 CL=6.5