

LD05-23BXXR2-M SERIES**----AC-DC MODULE POWER SUPPLY 5W****Product Features**

- Wide voltage input range 85 ~ 305VAC (100 ~ 430VDC)
- Working temperature -40°C ~ +85°C
- Complete protection functions (short circuit protection self-recovery, etc.)
- High efficiency, high reliability
- Small size, plastic shell flame retardant packaging
- Industrial product technical design

APPLIED RANGE

Power systems for wireless networks, telecommunications/data communication, power systems, industrial control systems, measurement instruments, and intelligent fields. Suitable for designs requiring large input range fluctuations, power isolation, limited board space, as well as achieving modular product functionality to enhance reliability.

PRODUCT MODEL

Model	Output voltage Vo	Output Io	Productiveness (TYP)
LD05-23B05R2-ML	5V	1000mA	74%
LD05-23B12R2-ML	12V	420mA	78%
LD05-23B15R2-ML	15V	333mA	79%
LD05-23B24R2-ML	24V	210mA	80%

* IF YOU NEED OTHER SPECIFICATIONS AND MODELS, PLEASE CONTACT US DIRECTLY.

INPUT CHARACTERISTICS

Input voltage range	85 ~ 305VAC (100 ~ 430VDC)	
Incoming frequency	47 ~ 63Hz	
Input currenton	125mA (TYP) @115VAc	80mA (TYP)@ 230VAc
External fuse (recommended value)	1A/300V slow circuit breakers	

OUTPUT CHARACTERISTIC

Output voltage voltage regulation accuracy	±2%
Source effect	±0.5% (typ)

Load adjustment ratio (10%~100%)	±1% (typ)
Minimum load	10%
Output ripple + noise (peak-to-peak)	100mV(typ) (20MHz Bandwidth)
Short-circuit protection	Can be short-term, self-restore
Output overvoltage protection	≥1.1 times

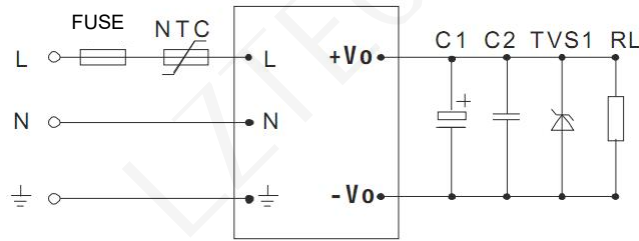
GENERAL CHARACTERISTIC

temperature characteristic	working temperature	-40°C ~ +85°C
	Power downgrades	
	Storage temperature	3.75% / °C ,
	case temperature	
Time of outage		40ms(typ)/ at Vin:320Vdc
Humidity		85%RH(max)
Warming up		0.02%/°C
Switching frequency		65kHz(typ)
Isolation voltage	Input-output	4000Vac/1Min
Leakage current		<5mA RMS typ. 230VAC/50Hz
* Electromagnetic compatibility electrostatic discharge	IEC/EN 61000-4-2 level 3 6kV/8kV	
:: Radio frequency radiation immunity	IEC/EN 61000-4-3	
* Electrical rapid transient pulse group	IEC/EN 61000-4-4 level 3 2 kV	
* surge	IEC/EN 61000-4-5 level 3 1kV/2kV	
:: Conduction/radiation		EN55022, level A
Security classification		CLASS I
Enclosure class		UL94V-0 flame retardant plastic
Install		PCB
MTBF		>200,000h @25°C

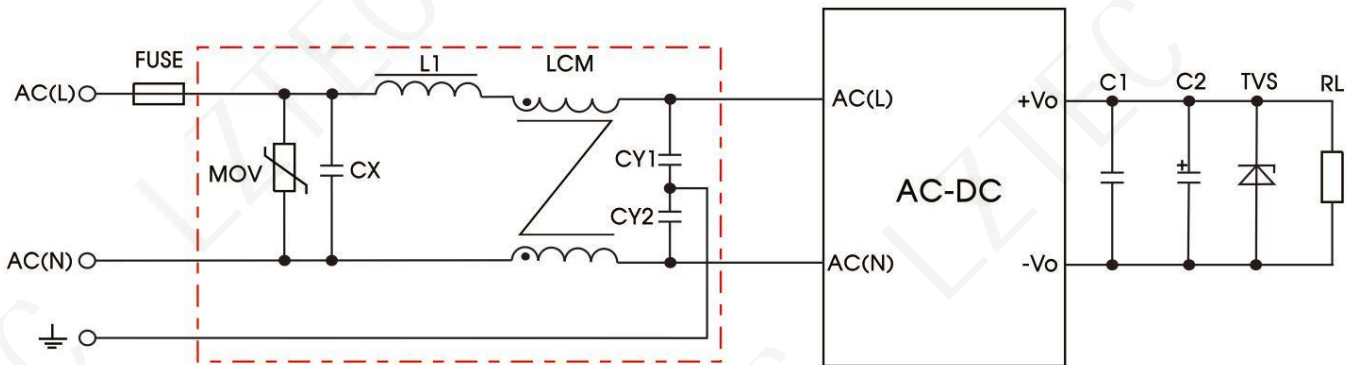
Note: 1. To mark the * test item, it is necessary to add peripheral EMC recommended circuit;

2. All the above data are measured under the condition of TA=25°C and humidity <75% unless otherwise specified.

TYPICAL APPLICATIONS

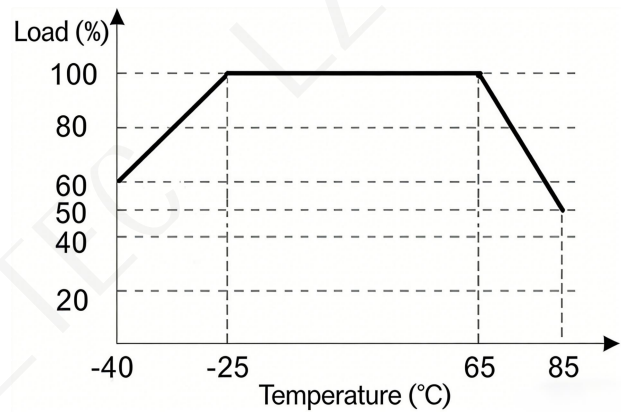
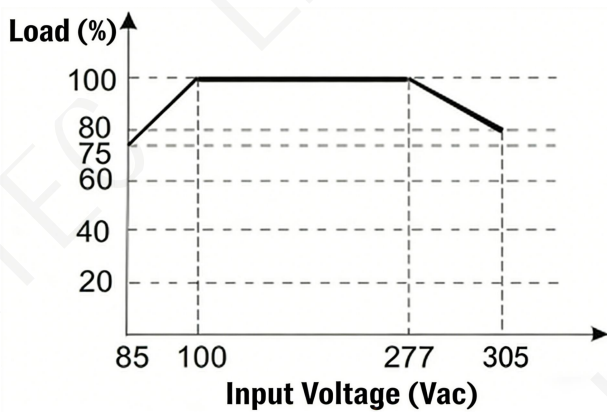


EMC recommended circuits

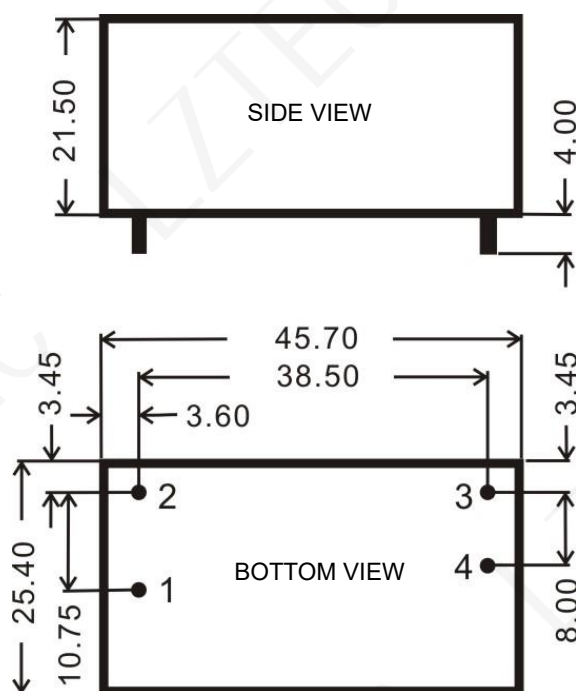


Device	Recommended value
MOV	14D471
CY1、CY2	1000pF/400VAC
CX	0.1uF/275VAC
LCM	>10mH
L1	4.7uH/2A
FUSE	1A/300V, slow break

INPUT VOLTAGE AND LOAD RELATIONSHIP DIAGRAM TEMPERATURE AND LOAD RELATIONSHIP DIAGRAM



APPEARANCE AND SIZE

Unit: mm Tolerance: $\pm 0.5\text{mm}$

pin	1	2	3	4
Definition	AC(N)	AC(L)	-Vo	+Vo

Zhuhai Lizhi Technology Co., Ltd.

Tel: 0756-6358688

Mail: sales@lyztec.com

Web: www.lyztec.com